

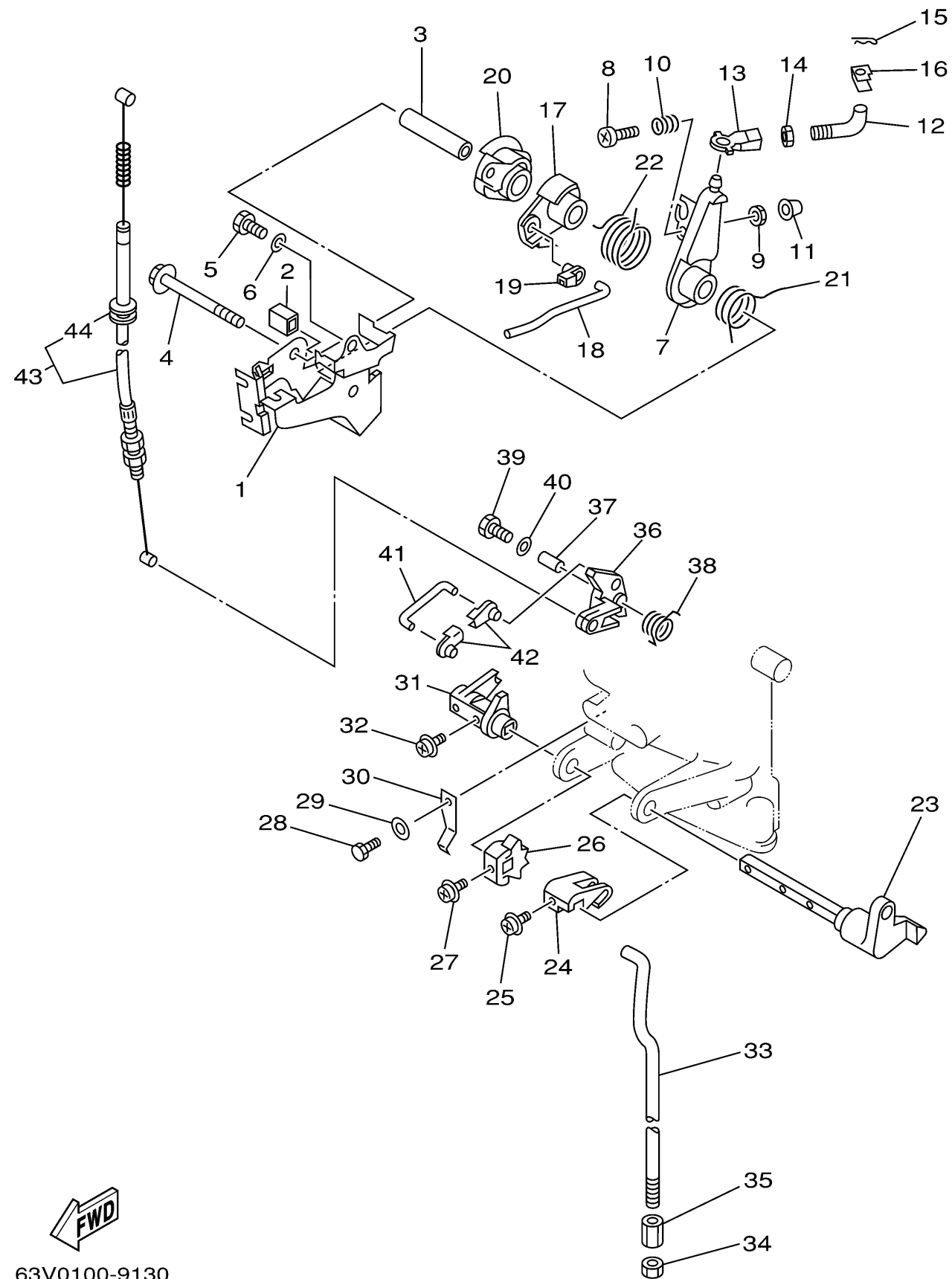
CONTROL

Ref No.	Part Number	Description	Qty	Remarks
1	63V-14497-01-00	STAY, THROTTLE WIRE	1	(MH)
2	689-44194-00-00	CAP	1	(MH)
3	90387-06M50-00	COLLAR	1	(MH)
4	95895-06065-00	BOLT, FLANGE	1	(MH)
5	97095-06012-00	BOLT	1	(MH)
6	92995-06600-00	WASHER	1	(MH)
7	63V-41631-00-00	LEVER, MAGNETO CONTROL	1	(MH)
8	97885-06030-00	SCREW, PAN HEAD	1	(MH)
9	95380-06600-00	NUT, HEXAGON	1	(MH)
10	90501-12M16-00	SPRING, COMPRESSION	1	(MH)
11	688-44194-00-00	CAP	1	(MH)
12	63V-41238-00-00	JOINT, LINK	1	(MH)
13	6H4-41237-00-00	JOINT, LINK	1	(MH)
14	95380-05700-00	NUT	1	(MH)
15	90468-10005-00	CLIP	1	(MH)
16	63V-41223-00-00	WASHER, LOCK 1	1	(MH)
17	63V-41283-01-00	LEVER, FREE ACCEL.	1	(MH)
18	63V-41211-00-00	LINK, ACCEL.	1	(MH)
19	661-41262-02-00	JOINT, CHOKE LEVER	1	(MH)
20	63V-41638-00-00	PULLEY	1	(MH)

CONTINUED ON NEXT FRAME >



63V0100-9130
9_9msha_15msha



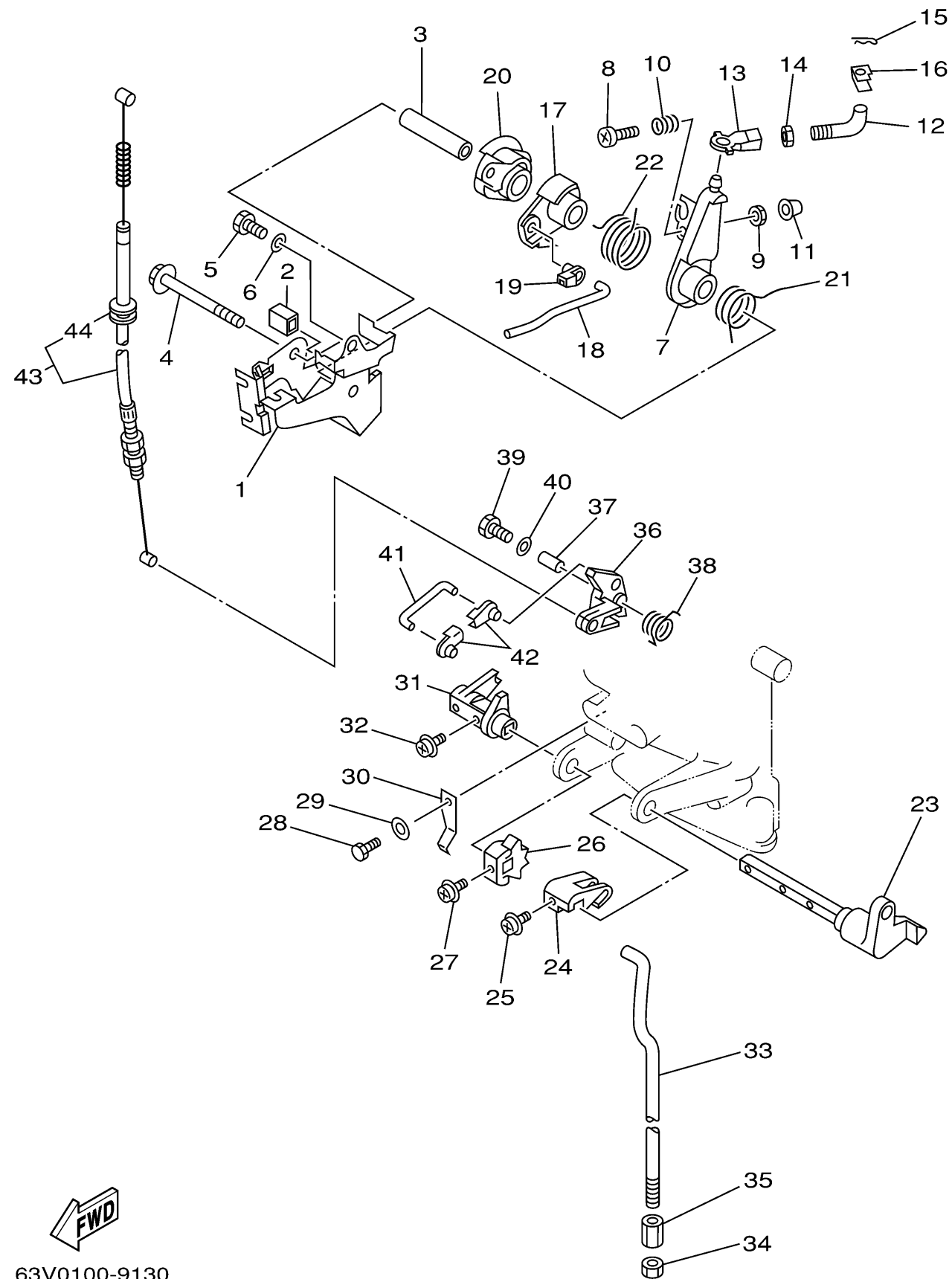
CONTROL

Ref No.	Part Number	Description	Qty	Remarks
21	90508-16M37-00	SPRING, TORSION	1	(MH)
22	90508-20M38-00	SPRING, TORSION	1	(MH)
23	63V-44123-01-00	ARM, SHIFT ROD	1	(MH)
24	63V-44121-01-00	LEVER, SHIFT ROD	1	(MH)
25	90159-05M25-00	SCREW, WITH WASHER	1	(MH)
26	63V-44125-00-00	LEVER, SHIFT ROD	1	(MH)
27	90159-05M25-00	SCREW, WITH WASHER	1	(MH)
28	97095-06012-00	BOLT	1	(MH)
29	92995-06600-00	WASHER	1	(MH)
30	63V-44116-00-00	SPRING	1	(MH)
31	63V-44122-01-00	BUSHING, SHIFT ROD LEVER	1	(MH)
32	90159-05M25-00	SCREW, WITH WASHER	1	(MH)
33	63V-44143-01-00	ROD, SHIFT	1	(MH)
34	95380-06700-00	NUT	1	(MH)
35	90170-06015-00	NUT	1	(MH)
36	63V-15746-00-00	ARM	1	(MH)
37	90387-06M06-00	COLLAR	1	(MH)
38	90508-08M39-00	SPRING, TORSION	1	(MH)
39	97095-06020-00	BOLT	1	(MH)
40	92995-06600-00	WASHER	1	(MH)

CONTINUED ON NEXT FRAME >



63V0100-9130
9_9msha_15msha



CONTROL

Ref No.	Part Number	Description	Qty	Remarks
41	6L2-15747-00-00	LINK	1	(MH)
42	661-41262-02-00	JOINT, CHOKE LEVER	2	(MH)
43	63V-15770-00-00	CABLE COMP., STARTER STOP	1	(MH)
44	90480-10M16-00	..GROMMET	1	(MH)



63V0100-9130
9_9msha_15msha