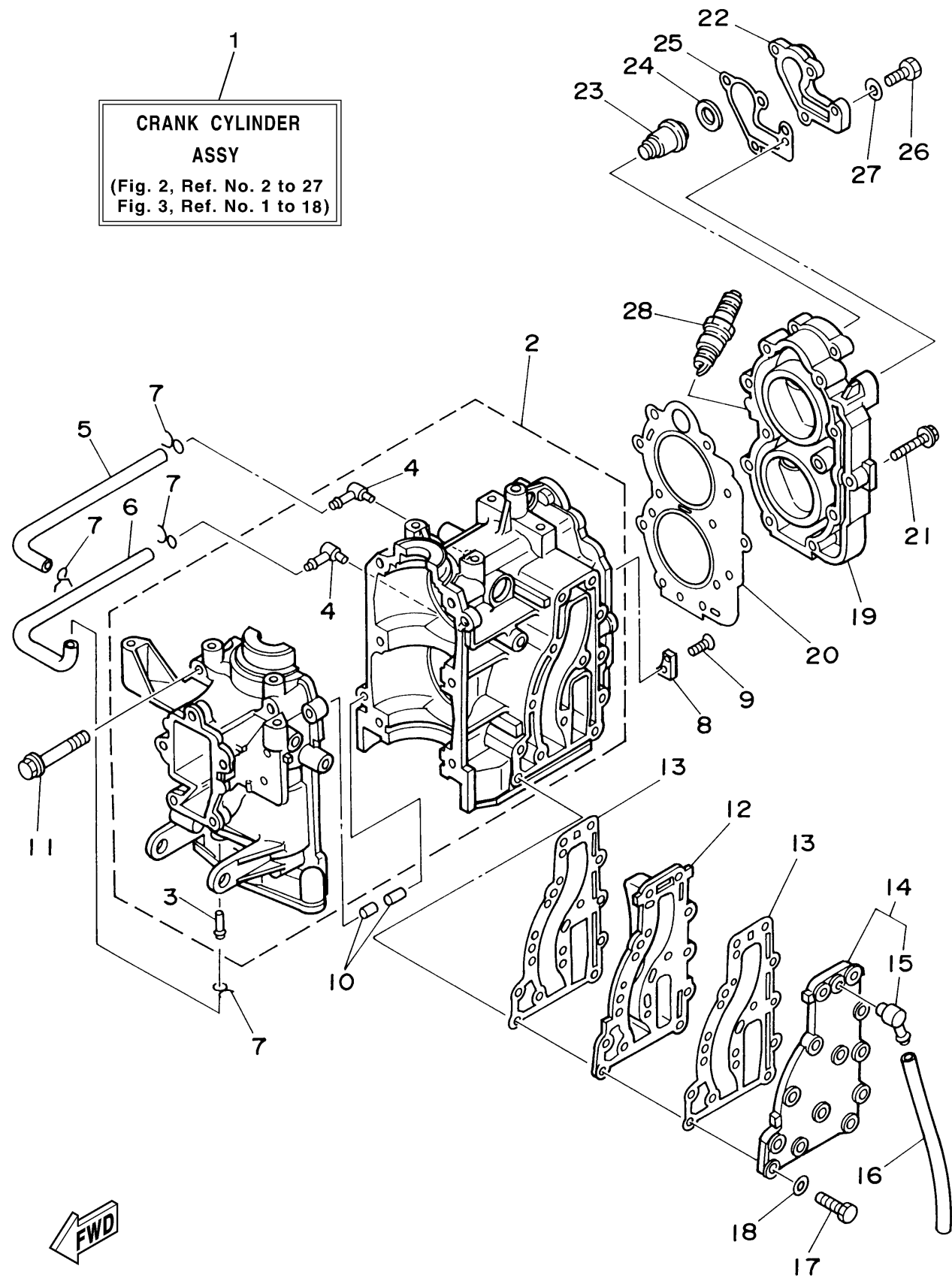


1
**CRANK CYLINDER
 ASSY**
 (Fig. 2, Ref. No. 2 to 27
 Fig. 3, Ref. No. 1 to 18)



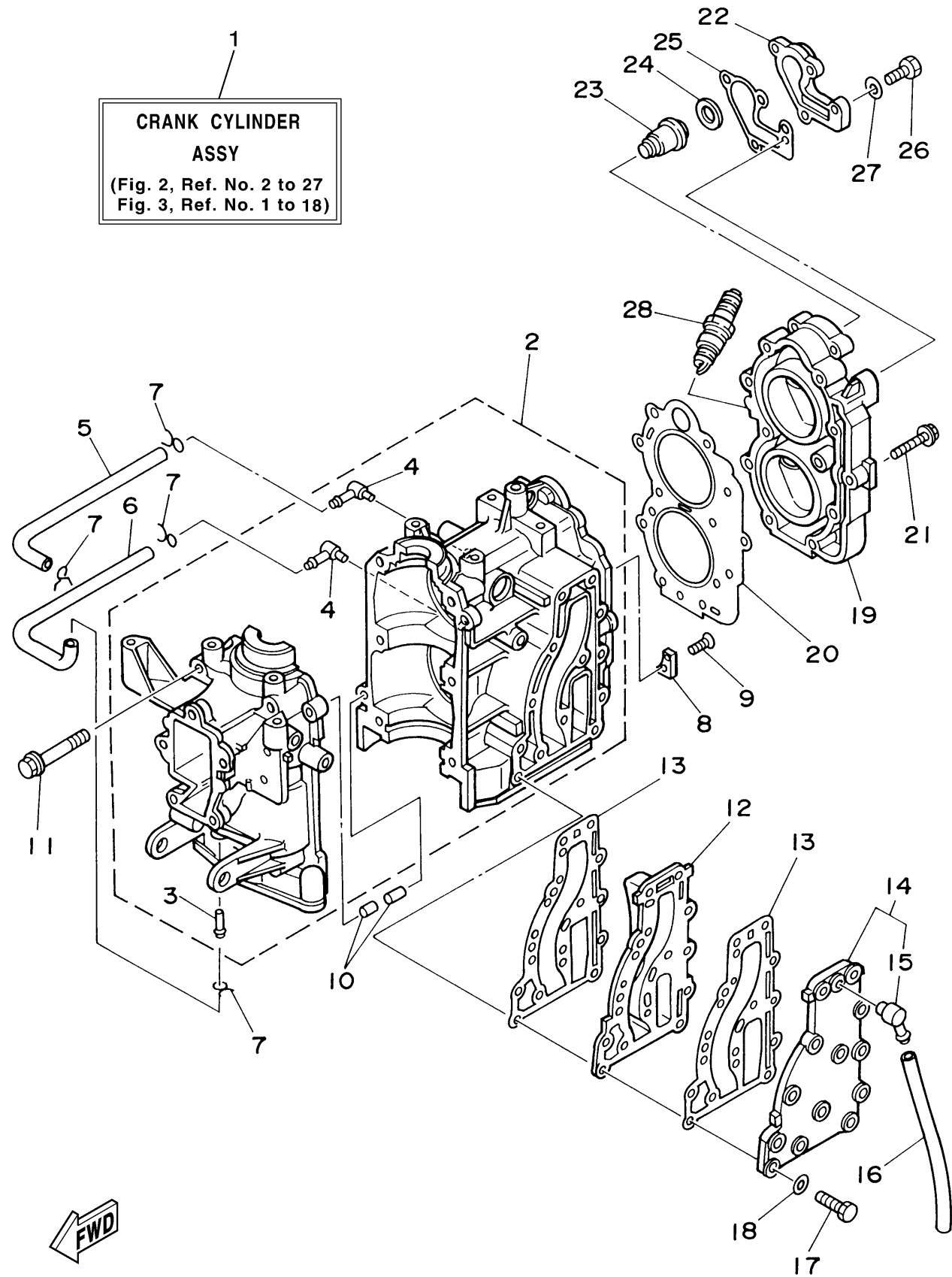
CYLINDER CRANKCASE

Ref No.	Part Number	Description	Qty	Remarks
1	63V-W0090-03-1S	CRANK CYLINDER ASSY	1	(MH)
2	63V-15100-02-1S	CRANKCASE ASSY	1	(MH)
3	624-14485-00-00	. PIPE, JOINT	1	(MH)
4	650-14485-02-00	. PIPE, JOINT	2	(MH)
5	90445-07M08-00	HOSE (L220)	1	(MH)
6	90445-07M08-00	HOSE (L220)	1	(MH)
7	90467-06016-00	CLIP	4	(MH)
8	682-11325-00-00	ANODE	1	(MH)
9	98780-05015-00	SCREW, FLAT HEAD	1	(MH)
10	93606-12019-00	PIN, DOWEL	2	(MH)
11	90119-08M07-00	BOLT, WITH WASHER	6	(MH)
12	63V-41111-00-1S	INNER COVER, EXHAUST	1	(MH)
13	63V-41112-A0-00	.GASKET, EXHAUST INNER COVER	2	(MH)
14	63V-41113-00-1S	OUTER COVER, EXHAUST	1	(MH)
15	676-11372-00-00	. NIPPLE, HOSE	1	(MH)
16	90445-09105-00	HOSE (L300)	1	(MH)
17	97013-06030-00	BOLT	13	(MH)
18	92903-06600-00	WASHER, PLATE	13	(MH)
19	6E7-11111-01-1S	HEAD, CYLINDER 1	1	(MH)
20	63V-11181-A1-00	.GASKET, CYLINDER HEAD 1	1	(MH)

CONTINUED ON NEXT FRAME >



1
**CRANK CYLINDER
 ASSY**
 (Fig. 2, Ref. No. 2 to 27
 Fig. 3, Ref. No. 1 to 18)



CYLINDER CRANKCASE

Ref No.	Part Number	Description	Qty	Remarks
21	90105-07M05-00	BOLT, FLANGE	11	(MH)
22	682-12413-00-1S	COVER, THERMOSTAT	1	(MH)
23	6E5-12411-20-00	THERMOSTAT	1	(MH)
24	90201-16M03-00	WASHER, PLATE	1	(MH)
25	682-12414-A1-00	.GASKET, COVER	1	(MH)
26	97013-06020-00	BOLT	4	(MH)
27	92903-06600-00	WASHER, PLATE	4	(MH)
28	NGK-B7HS1-00-00	PLUG, SPARK (NGK B7HS-10)	2	(MH)



63V0110-5020
 9_9msha_15msha