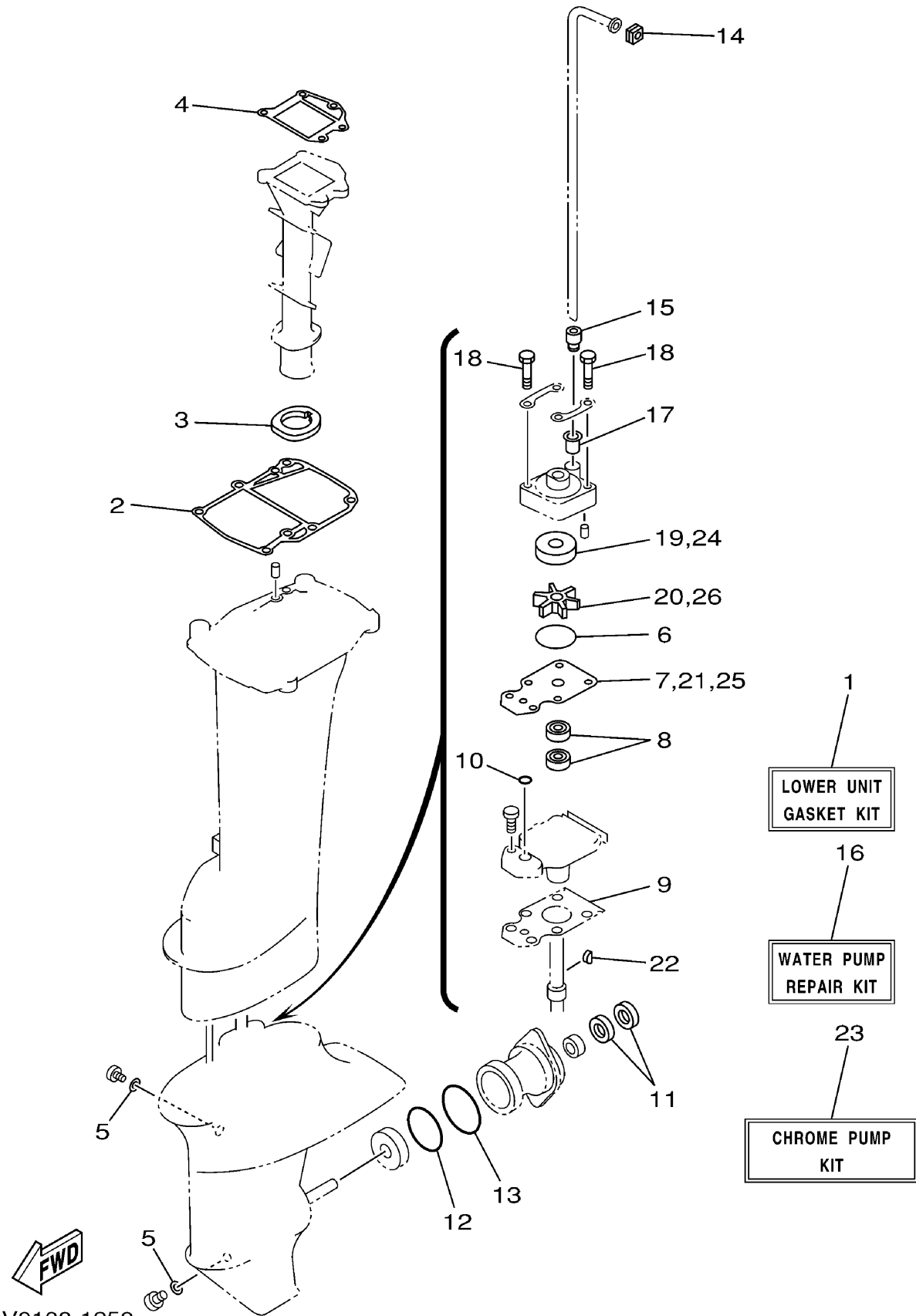


REPAIR KIT 2

Ref No.	Part Number	Description	Qty	Remarks
1	63V-W0001-22-00	LOWER UNIT GASKET KIT	1	(MH)
2	63V-45113-A1-00	.GASKET, UPPER CASING	1	(MH)
3	63V-41135-00-00	.GASKET, EXHAUST MANIFOLD	1	(MH)
4	63V-41133-A1-00	.GASKET, EXHAUST MANIFOLD 1	1	(MH)
5	90430-08020-00	.GASKET	2	(MH)
6	93210-44398-00	.O-RING	1	(MH)
7	63V-44323-00-00	.OUTER PLATE, CARTRIDGE	1	(MH)
8	93101-20048-00	.OIL SEAL	2	(MH)
9	63V-45315-A0-00	.PACKING, LOWER CASING	1	(MH)
10	93210-06ME6-00	.O-RING	1	(MH)
11	93101-17054-00	.OIL SEAL	2	(MH)
12	93210-57M09-00	.O-RING	1	(MH)
13	93210-56M80-00	.O-RING	1	(MH)
14	63V-44365-10-00	.DAMPER, WATER SEAL	1	(MH)
15	63V-44368-00-00	.RUBBER, WATER SEAL 4	1	(MH)
16	63V-W0078-01-00	WATER PUMP REPAIR KIT	1	(MH)
17	647-44366-00-00	.DAMPER, WATER SEAL	1	(MH)
18	97080-08045-00	.BOLT	4	(MH)
19	63V-44322-00-00	.INSERT, CARTRIDGE	1	(MH)
20	63V-44352-01-00	.IMPELLER	1	(MH)

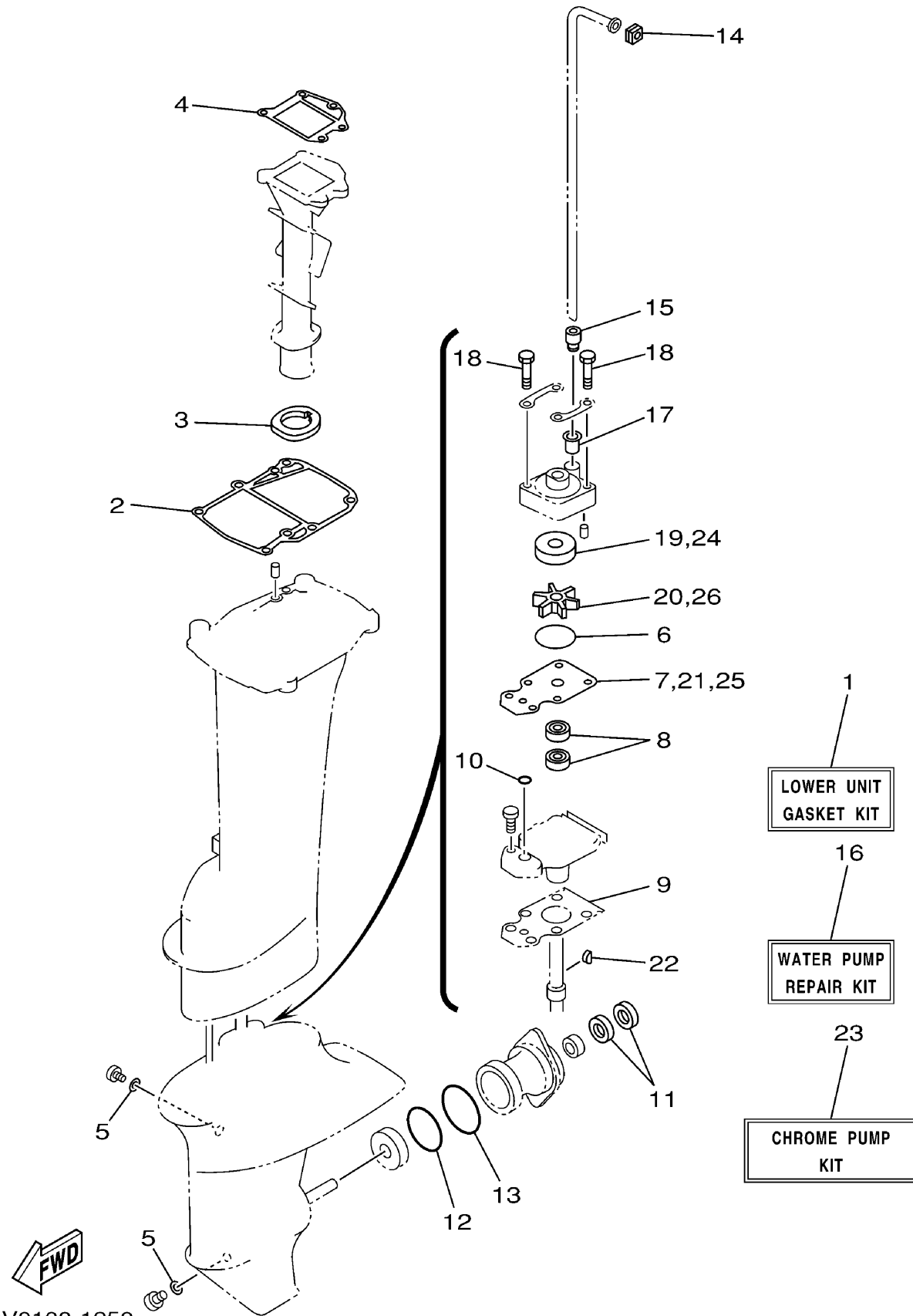
CONTINUED ON NEXT FRAME >



63V0100-1250
9_9msha_15msha

REPAIR KIT 2

Ref No.	Part Number	Description	Qty	Remarks
21	63V-44323-00-00	..OUTER PLATE, CARTRIDGE	1	(MH)
22	63V-44338-00-00	..KEY, WOODRUFF	1	(MH)
23	63V-W0078-0A-00	CHROME PUMP KIT	1	(MH)
24	63V-44322-40-00	..INSERT, CARTRIDGE	1	(MH)
25	63V-44323-40-00	..OUTER PLATE, CARTRIDGE	1	(MH)
26	63V-44352-01-00	..IMPELLER	1	(MH)



63V0100-1250
9_9msha_15msha

9.9MSHA (63V1)

Engine Serial No. 9.9MSHA: 682KS-122129 and following

15MSHA (63W1)

Engine Serial No. 15MSHA: 684KS-312371 and following

MODELS IN THIS CATALOG

Ref No.	Part Number	Description	Qty	Remarks
---------	-------------	-------------	-----	---------

ALL THESE MODELS USE THIS SAME PARTS CATALOG.
BE SURE TO ORDER ONLY THOSE PARTS APPLICABLE
TO THE DESIRED MODEL.