

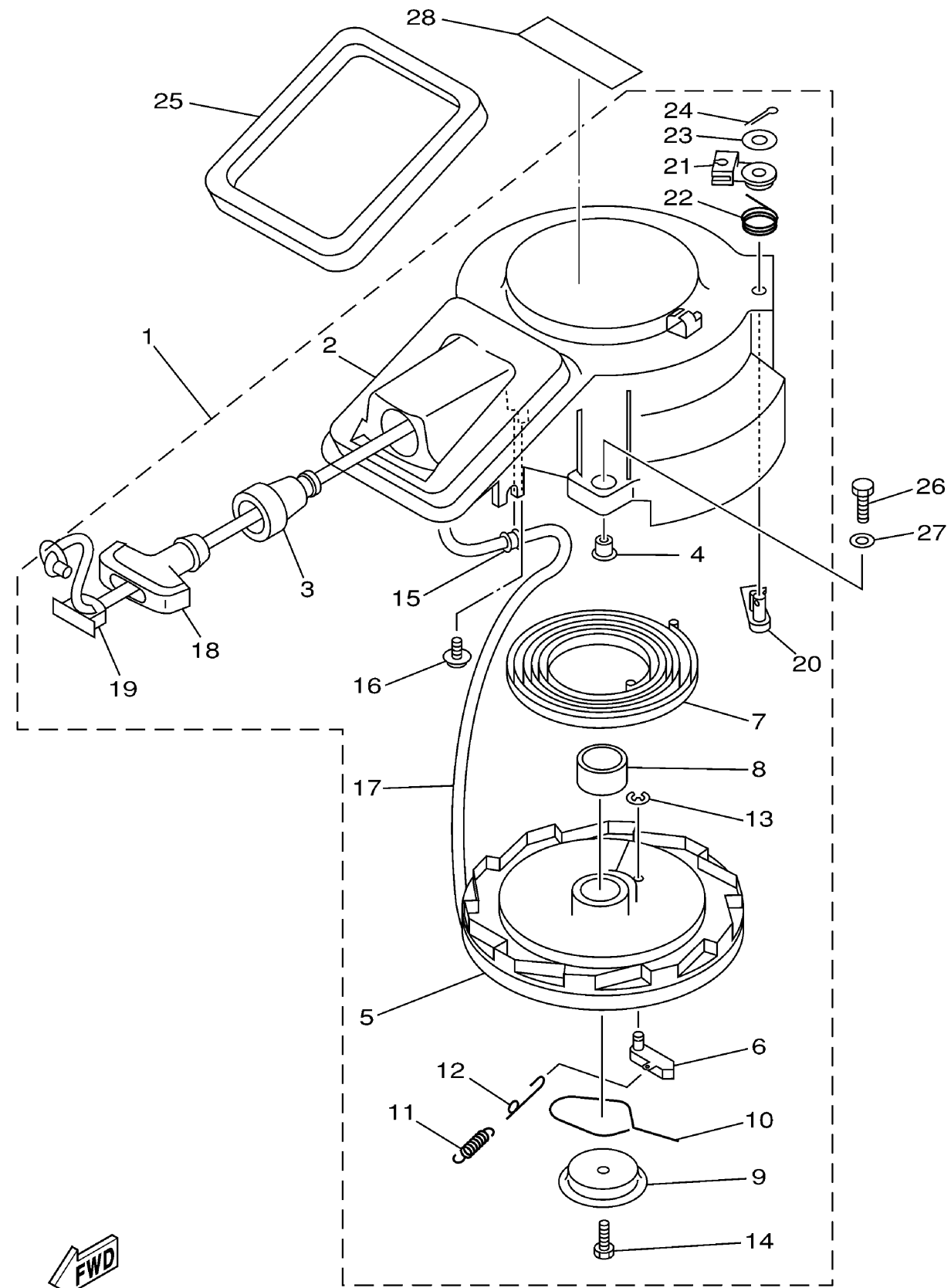
# STARTER

Ref No.	Part Number	Description	Qty	Remarks
1	63V-15710-12-00	STARTER ASSY	1	WITH SAFETY DEVICE(MH)
2	63V-15711-01-00	..CASE, STARTER	1	(MH)
3	63V-15795-01-00	..GUIDE, ROPE	1	(MH)
4	90387-06M05-00	..COLLAR	3	(MH)
5	63V-15714-00-00	..DRUM, SHEAVE	1	(MH)
6	63V-15741-00-00	..PAWL, DRIVE	1	(MH)
7	63V-15713-00-00	..SPRING, STARTER	1	(MH)
8	63V-15753-00-00	..BUSH	1	(MH)
9	63V-15716-00-00	..PLATE, DRIVE	1	(MH)
10	63V-15705-01-00	..SPRING, DRIVE PAWL	1	(MH)
11	63V-15767-01-00	..SPRING	1	(MH)
12	63V-15784-01-00	..SPRING, RETURN	1	(MH)
13	63V-15744-00-00	..CIRCLIP	1	(MH)
14	63V-15768-00-00	..BOLT	1	(MH)
15	63V-15764-00-00	..COLLAR 1	1	(MH)
16	63V-15793-00-00	..SCREW	1	(MH)
17	90580-50M01-00	..STARTER ROPE	1	(MH)
18	6G1-15755-00-00	..HANDLE, STARTER	1	(MH)
19	6G1-15779-00-00	..COVER	1	(MH)
20	63V-15794-00-00	..STOPPER	1	(MH)

CONTINUED ON NEXT FRAME >



63V1110-2080  
9\_9msha\_15msha



# STARTER

Ref No.	Part Number	Description	Qty	Remarks
21	63V-15748-00-00	. .PLUNGER, STARTER STOP	1	(MH)
22	63V-15734-00-00	. .SPRING, RETURN	1	(MH)
23	63V-15726-00-00	. .WASHER, FLAT	1	(MH)
24	91490-16018-00	. .PIN. COTTER	1	(MH)
25	63V-15762-00-00	SEAL, RUBBER 2	1	(MH)
26	97095-06020-00	BOLT	3	(MH)
27	92995-06600-00	WASHER	3	(MH)
28	6A1-83625-41-00	MARK 5	1	(MH)