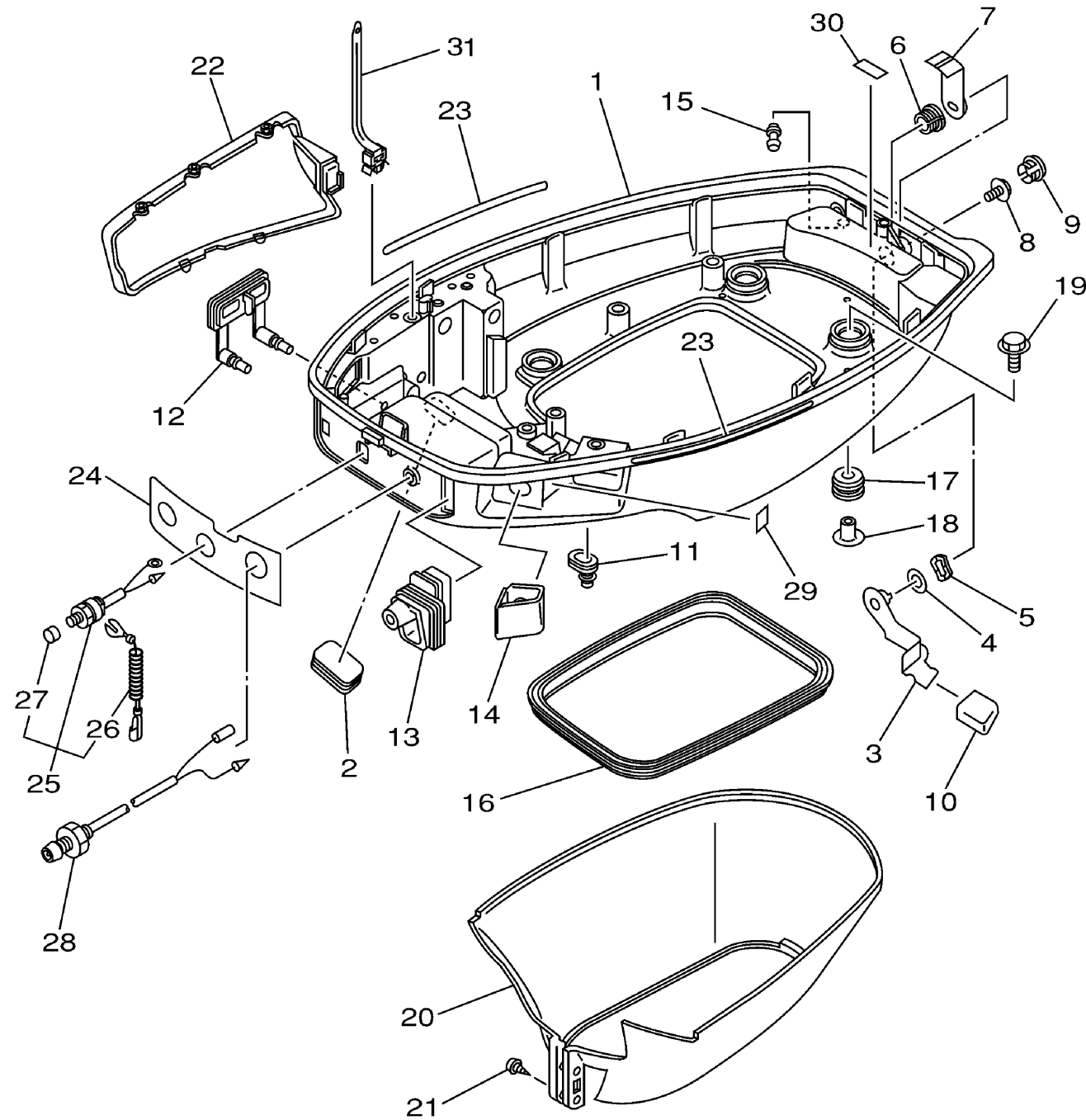


BOTTOM COWLING



Ref No.	Part Number	Description	Qty	Remarks
1	6J8-42711-03-4D	COWLING, BOTTOM	1	
2	6H4-42726-00-00	GROMMET	1	
3	6J8-42815-00-4D	LEVER, CLAMP	1	
4	90202-12M25-00	WASHER, PLATE	1	
5	90206-12052-00	WASHER, WAVE	1	
6	90386-12M61-00	BUSH	1	
7	6J8-42816-00-00	LEVER, CLAMP	1	
8	95895-06012-00	BOLT, FLANGE	1	
9	6J8-42831-00-00	BUSHING	1	
10	6J8-42728-01-00	CAP	1	
11	6G1-42727-00-00	GROMMET	1	
12	6J8-42724-00-00	GROMMET	1	
13	6J8-42726-00-00	GROMMET	1	
14	6J8-42725-01-00	GROMMET	1	
15	6H3-44391-01-00	NIPPLE, HOSE	1	
16	6J8-42716-00-00	RUBBER, SEAL 1	1	
17	90480-09M21-00	GROMMET	4	
18	90387-06M41-00	COLLAR	4	
19	90119-06M61-00	BOLT, WITH WASHER	4	
20	6J8-42741-01-00	APRON	1	

CONTINUED ON NEXT FRAME >

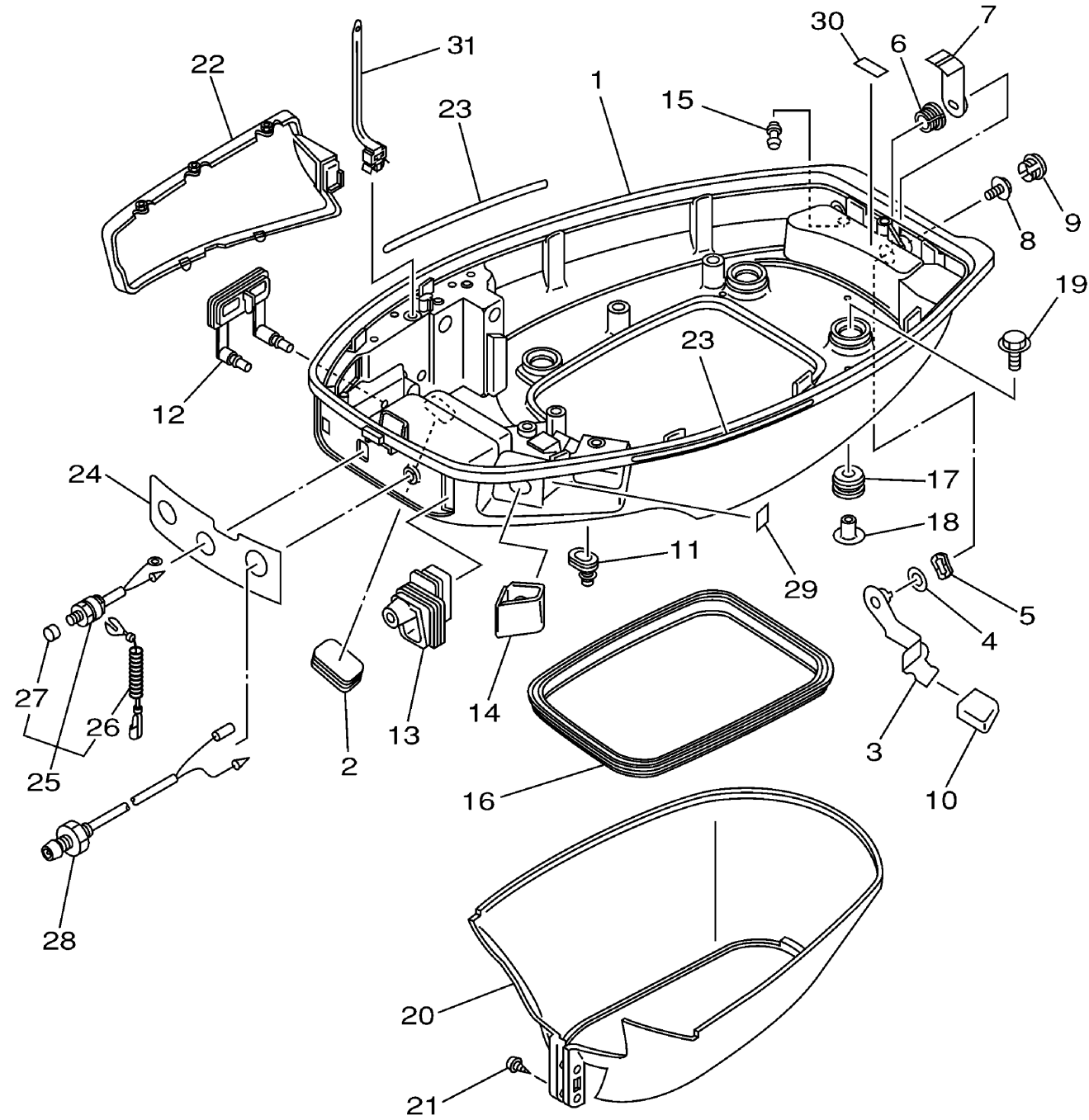


6J83110-2120

30msha_25msh3a

C2

BOTTOM COWLING



Ref No.	Part Number	Description	Qty	Remarks
21	90164-06M01-00	SCREW, TAPPING	2	
22	6J8-42723-01-00	COVER, BOTTOM	1	
23	6J8-42735-00-00	PROTECTOR	2	
24	6J8-42719-10-00	PANEL, FRONT LOWER	1	UR 25- N.O/I (25MH)
24	6J8-42719-20-00	PANEL, FRONT LOWER	1	UR 30-O/I (30MH)
25	689-82575-04-00	ENGINE STOP SWITCH ASSY	1	
26	682-82556-00-00	. LANYARD, STOP SWITCH	1	
27	689-8257Y-00-00	. CAP	1	
28	6J8-85410-00-00	EMERGENCY SIGNAL LIGHT ASSY	1	
29	6A1-42792-01-00	MARK (100:1)	1	25-N.O/I (25MH)
30	6E7-42791-00-00	MARK 1	1	
31	90465-13M76-00	CLAMP	1	



6J83110-2120

30msha_25msh3a

C3