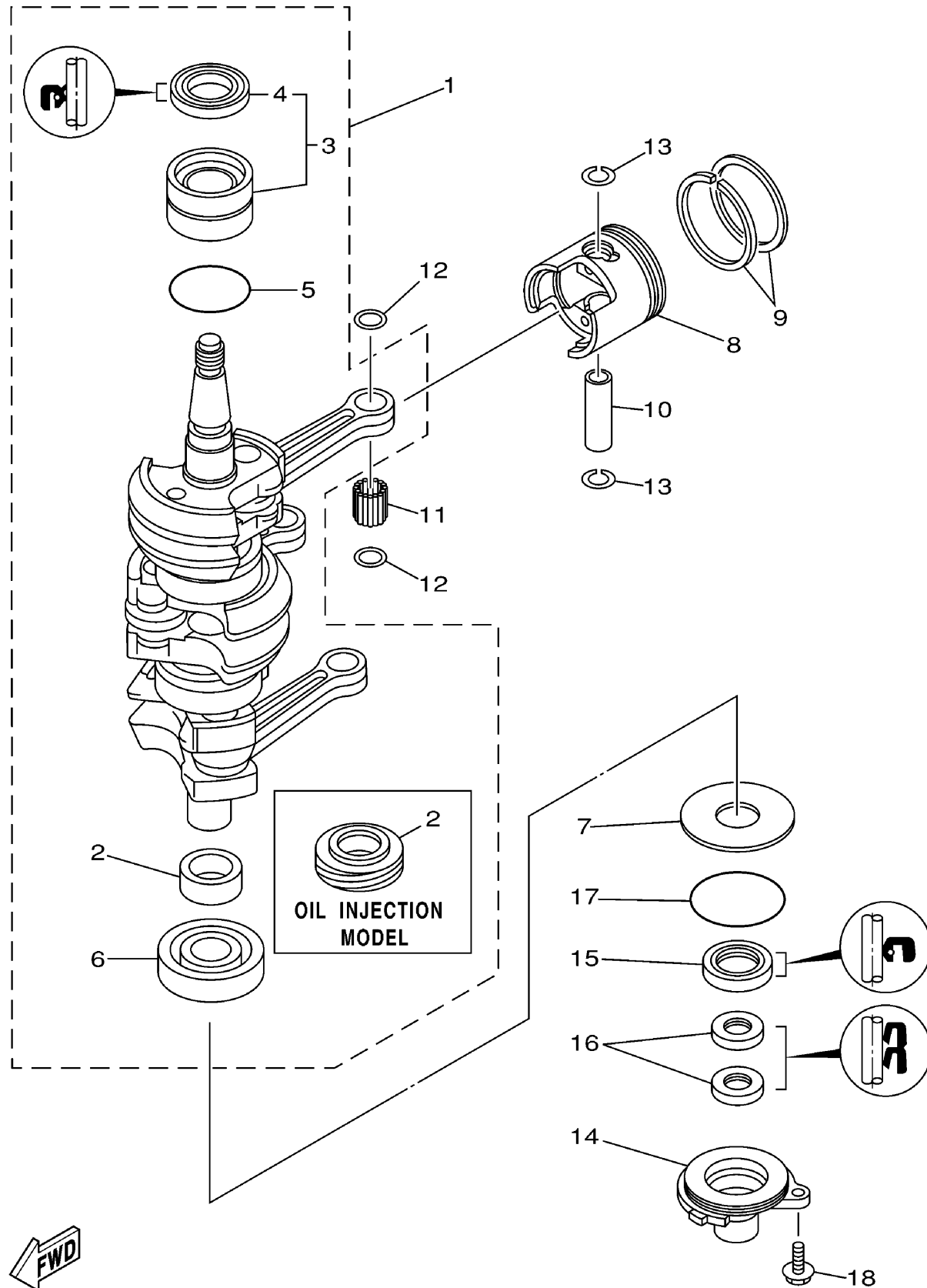


CRANKSHAFT PISTON

Ref No.	Part Number	Description	Qty	Remarks
1	6J8-11400-11-00	CRANKSHAFT ASSY	1	UR 30-O/I (30MH)
1	6J8-11400-01-00	CRANKSHAFT ASSY	1	UR 25- N.O/I (25MH)
2	6J8-11536-00-00	. .GEAR, DRIVE	1	UR 30-O/I (30MH)
2	6J8-11445-00-00	. . .SPACER	1	UR 25- N.O/I (25MH)
3	93311-632U7-00	. .BEARING	1	
4	93102-26M27-00	. . .OIL SEAL	1	
5	93210-42159-00	. .O-RING	1	
6	93306-305U3-00	. .BEARING	1	
7	90201-50306-00	WASHER, PLATE	1	
8	6J8-11636-02-00	PISTON (0.50MM O/S)	3	AP
8	6J8-11635-02-00	PISTON (0.25MM O/S)	3	AP
8	6J8-11631-02-97	PISTON (STD)	3	
9	6J8-11601-11-00	PISTON RING SET (0.25MM O/S)	3	AP
9	6J8-11601-21-00	PISTON RING SET (0.50MM O/S)	3	AP
9	6J8-11601-01-00	PISTON RING SET (STD)	3	
10	6J8-11633-00-00	PIN, PISTON	3	
11	93602-16M10-00	PIN, DOWEL	84	
12	90201-16379-00	WASHER, PLATE	6	
13	93450-17129-00	CIRCLIP	6	
14	6J8-15396-00-5B	HOUSING, OIL SEAL	1	

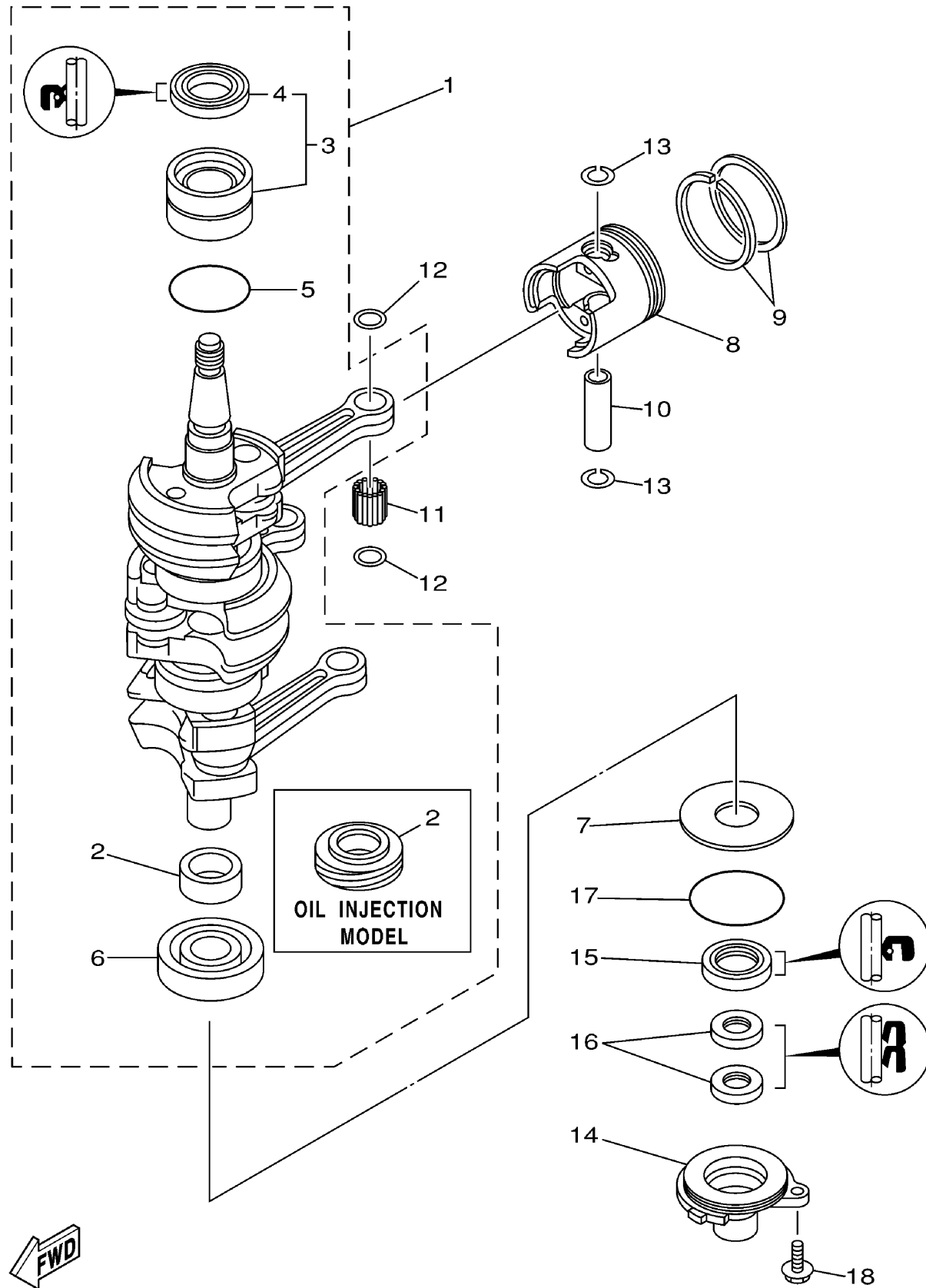
CONTINUED ON NEXT FRAME >



6J83100-2030
30msha_25msh3a

CRANKSHAFT PISTON

Ref No.	Part Number	Description	Qty	Remarks
15	93101-25M28-00	.OIL SEAL	1	
16	93104-16M04-00	.OIL SEAL	2	
17	93210-56M80-00	.O-RING	1	
18	90119-06023-00	BOLT, WITH WASHER	2	



6J83100-2030
30msha_25msh3a

A9