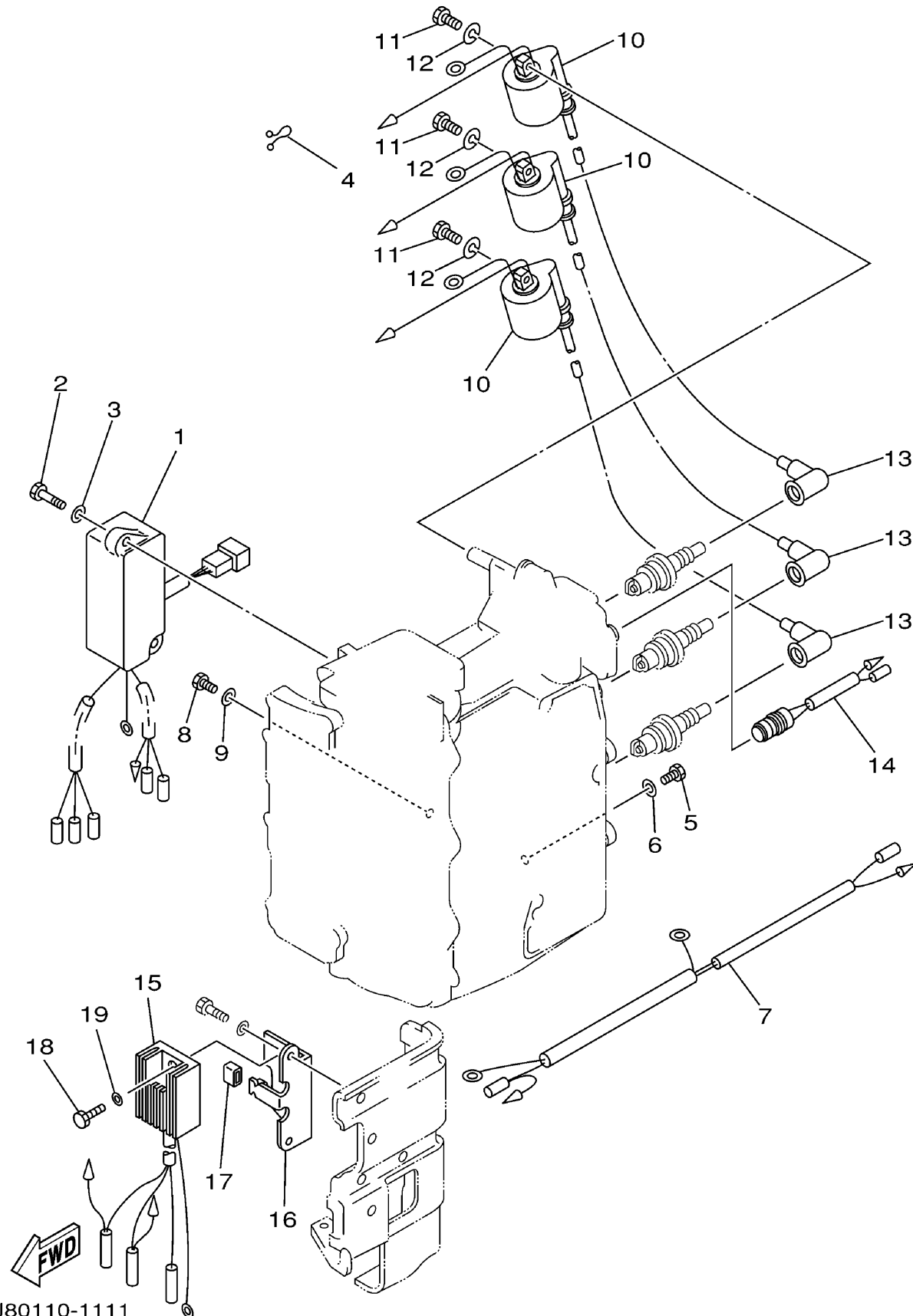


ELECTRICAL

Ref No.	Part Number	Description	Qty	Remarks
1	6J8-85540-H2-00	C.D.I. UNIT ASSY	1	
2	97095-06025-00	BOLT	2	
3	92995-06600-00	WASHER	2	
4	90464-15M11-00	CLAMP	1	
5	97095-06012-00	BOLT	1	
6	92995-06600-00	WASHER	1	
7	6J8-82531-00-00	WIRE, LEAD	1	
8	97095-06012-00	BOLT	1	
9	92995-06600-00	WASHER	1	
10	6J8-85570-21-00	IGNITION COIL ASSY	3	
11	97095-06020-00	BOLT	6	
12	92995-06100-00	WASHER, SPRING	6	
13	663-82370-01-00	PLUG CAP ASSY	3	
14	689-82560-00-00	THERMO SWITCH ASSY	1	
15	6J8-81960-00-00	RECTIFIER & REGULATOR ASSY	1	25-N.O/I (25MH)
16	6J8-81975-00-00	PLATE, RECTIFIER FITTING	1	25-N.O/I (25MH)
17	689-44194-00-00	CAP	1	25-N.O/I (25MH)
18	97095-06012-00	BOLT	1	25-N.O/I (25MH)
19	92995-06600-00	WASHER	1	25-N.O/I (25MH)



6J80110-1111
30msha_25msh3a