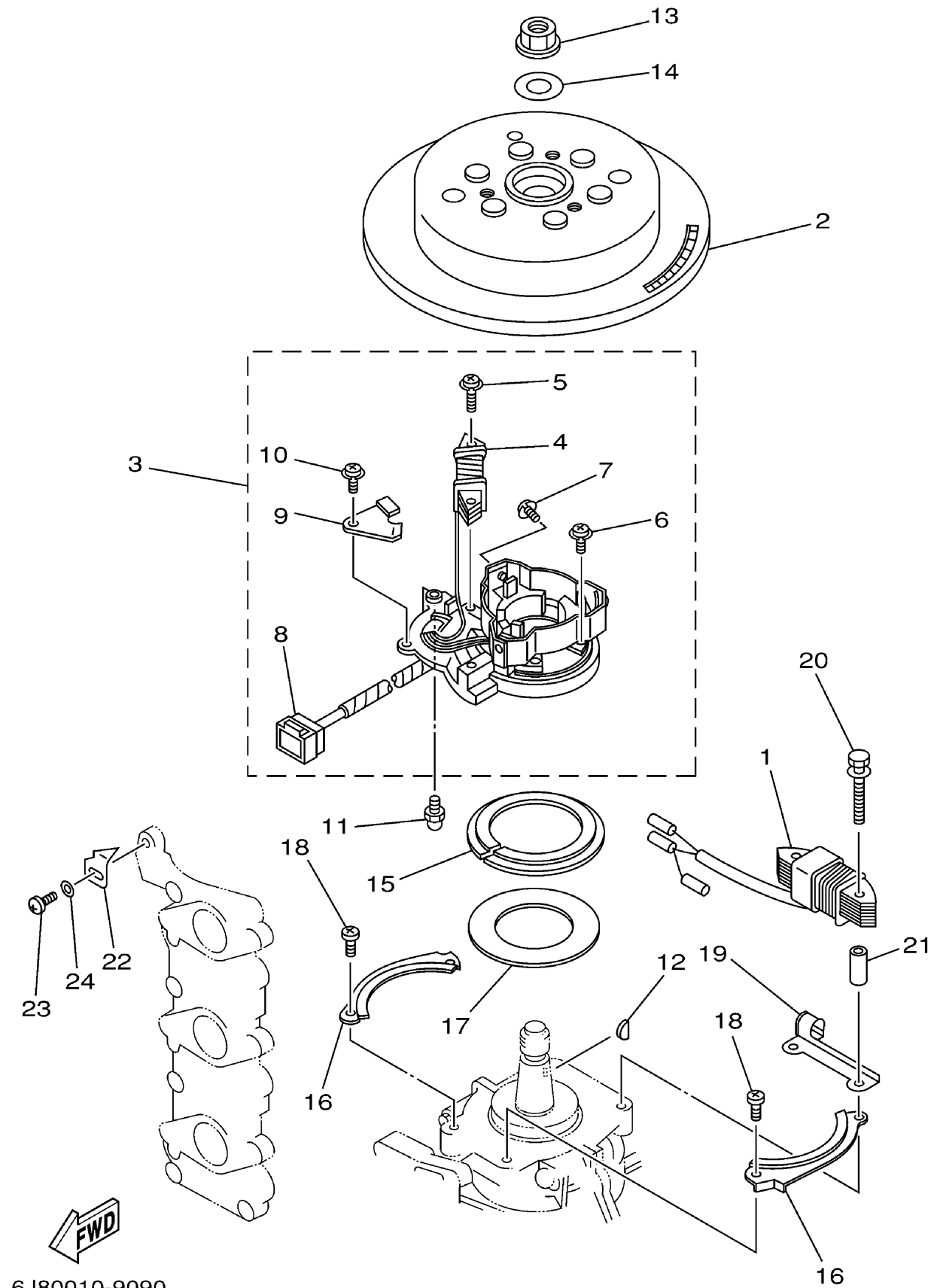


# GENERATOR

Ref No.	Part Number	Description	Qty	Remarks
1	6H4-85533-A1-00	COIL, LIGHTING	1	
2	6J8-85550-F1-00	ROTOR ASSY	1	
3	6H4-85510-F1-00	STATOR ASSY	1	
4	6H4-85520-01-00	. .COIL, CHARGE	1	
5	97902-06120-00	. .SCREW, WITH WASHER	2	
6	97902-04112-00	. .SCREW, WITH WASHER	6	
7	97902-04106-00	. .SCREW, WITH WASHER	3	
8	9E471-09205-00	. .CONNECTOR (6P,M)	1	
9	6H4-85548-00-00	. .HOLDER	1	
10	97902-05408-00	. .SCREW, WITH WASHER	1	
11	663-85518-00-00	.JOINT, BALL	1	
12	90280-05013-00	KEY, WOODRUFF	1	
13	90179-16M05-00	NUT	1	
14	90201-16M44-00	WASHER, PLATE	1	
15	6H4-41611-10-00	RETAINER, MAGNETO BASE	1	
16	6J8-41615-00-00	STOPPER, MAGNETO BASE	2	
17	6J8-41618-00-00	WASHER, MAGNETO	1	
18	97880-06012-00	SCREW, PAN HEAD	2	
19	6J8-85548-00-00	HOLDER	1	
20	90101-06M00-00	BOLT	2	

CONTINUED ON NEXT FRAME >

6J80010-9090  
30msha\_25msh3a



# GENERATOR

Ref No.	Part Number	Description	Qty	Remarks
21	90387-06M81-00	COLLAR	2	
22	6J8-81332-00-00	PLATE, TIMING	1	
23	97885-05010-00	SCREW, PAN HEAD	1	
24	92995-05600-00	.WASHER	1	

6J80010-9090  
30msha\_25msh3a