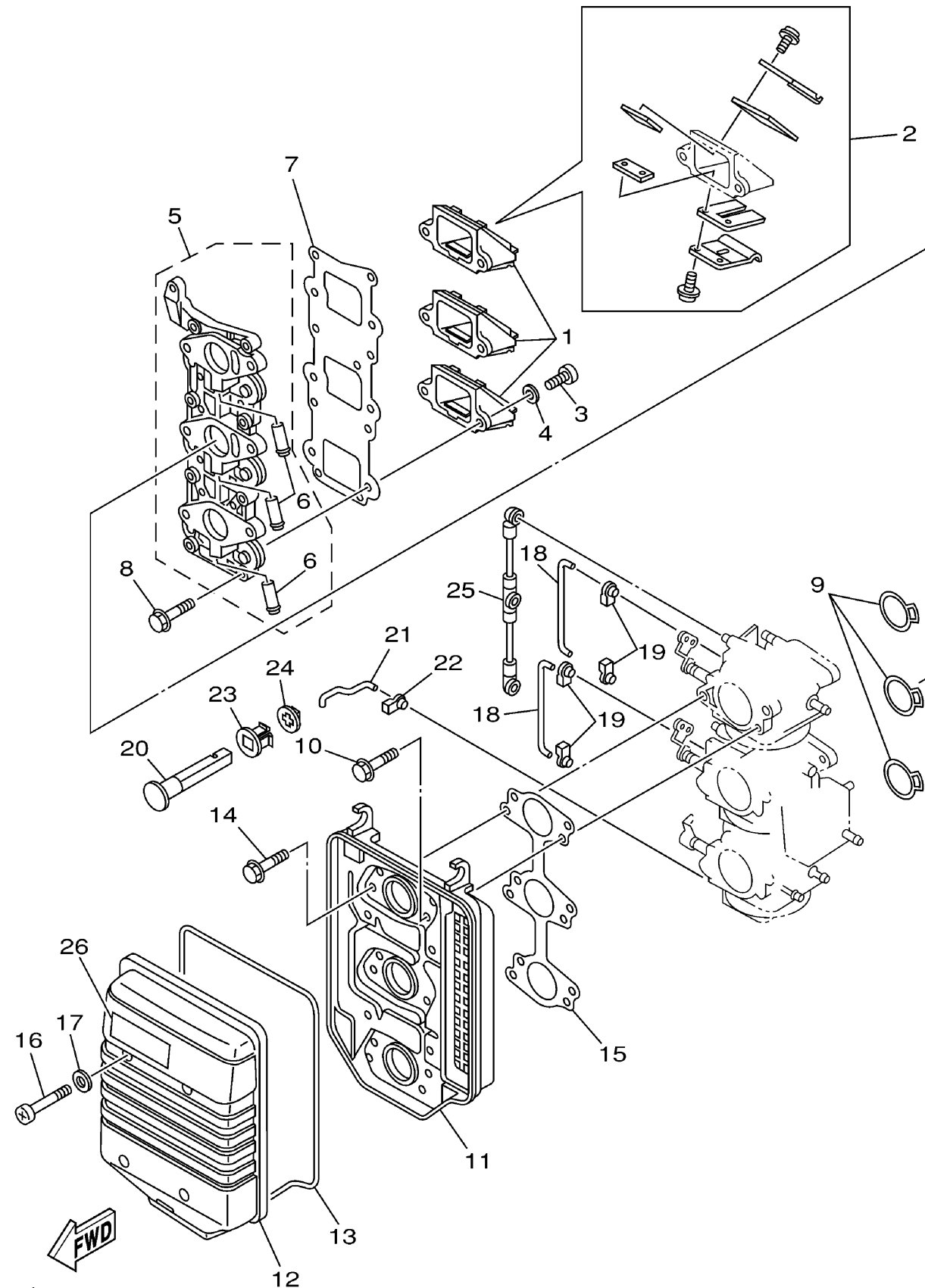


6J83110-2040  
30msha\_25msh3a

## INTAKE

Ref No.	Part Number	Description	Qty	Remarks
1	6J8-13610-00-00	REED VALVE ASSY	3	
2	6J8-W0004-00-00	. .REED SET	1	
3	97880-05016-00	SCREW, PAN HEAD	6	
4	92990-05600-00	WASHER, PLATE	6	
5	6J8-13641-10-94	MANIFOLD 1	1	UR 30-O/I (30MH)
5	6J8-13641-00-94	MANIFOLD 1	1	UR 25- N.O/I (25MH)
6	676-14485-00-00	. PIPE, JOINT	3	FOR 6J8-13641-10-94 (30MH)
7	6J8-13621-00-00	.GASKET, VALVE SEAT	1	
8	90119-06MA3-00	BOLT, WITH WASHER	8	
9	6J8-14198-00-00	.GASKET	3	
10	90119-06M32-00	BOLT, WITH WASHER	6	
11	6J8-14417-00-00	COVER 1	1	
12	6J8-14418-00-00	COVER 2	1	
13	6J8-14476-00-00	SEAL	1	
14	90119-05M31-00	BOLT, WITH WASHER	6	
15	6J8-14483-A1-00	GASKET	1	
16	97880-05040-00	SCREW, PAN HEAD	4	
17	92990-05600-00	WASHER, PLATE	4	
18	6J8-41259-00-00	ROD, CHOKE 3	2	
19	661-41262-02-00	JOINT, CHOKE LEVER	4	

CONTINUED ON NEXT FRAME >



6J83110-2040  
30msha\_25msh3a

## INTAKE

Ref No.	Part Number	Description	Qty	Remarks
20	6J8-41271-01-00	KNOB, CHOKE	1	
21	6J8-41257-00-00	ROD, CHOKE 2	1	
22	6J8-41262-00-00	JOINT, CHOKE LEVER	1	
23	689-41273-00-00	GROMMET	1	
24	6J8-41274-00-00	GROMMET 2	1	
25	6J8-41217-00-00	ROD, ACCEL. LEVER	1	
26	6A1-83625-41-00	MARK 5	1	