

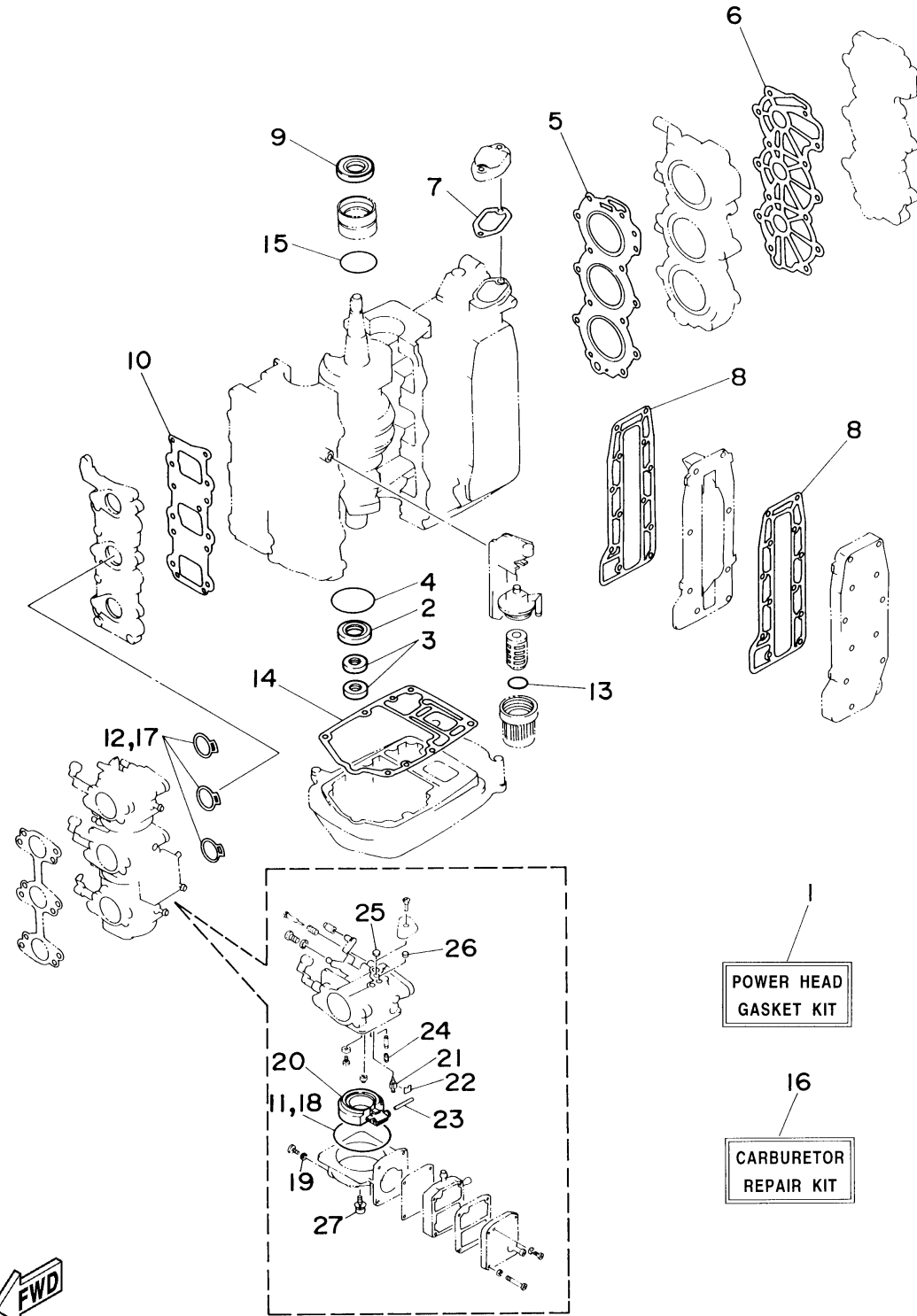
6J80100-4320

30msha\_25msh3a

# REPAIR KIT 1

Ref No.	Part Number	Description	Qty	Remarks
1	6J8-W0001-03-00	POWER HEAD GASKET KIT	1	
2	93101-25M28-00	..OIL SEAL	1	
3	93104-16M04-00	..OIL SEAL	2	
4	93210-56M80-00	..O-RING	1	
5	6J8-11181-A1-00	..GASKET, CYLINDER HEAD 1	1	
6	6J8-11193-A1-00	..GASKET, HEAD COVER 1	1	
7	6J8-12414-A0-00	..GASKET, COVER	1	
8	6J8-41114-A0-00	..GASKET, EXHAUST OUTER COVER	2	
9	93102-26M27-00	..OIL SEAL	1	
10	6J8-13621-00-00	..GASKET, VALVE SEAT	1	
11	6J8-14984-00-00	..GASKET, FLOAT CHAMBER	3	
12	6J8-14198-00-00	..GASKET	3	
13	93210-32738-00	..O-RING	1	
14	6J8-45113-A0-00	..GASKET, UPPER CASING	1	
15	93210-42159-00	..O-RING	1	
16	6J8-W0093-00-00	CARBURETOR REPAIR KIT	1	
17	6J8-14198-00-00	..GASKET	3	
18	6J8-14984-00-00	..GASKET, FLOAT CHAMBER	3	
19	6J8-14995-00-00	..GASKET	3	
20	6J8-14985-00-00	..FLOAT	3	

CONTINUED ON NEXT FRAME >



# REPAIR KIT 1

Ref No.	Part Number	Description	Qty	Remarks
21	6J8-14546-00-00	..VALVE, NEEDLE	3	
22	6J8-14159-00-00	..CLIP	3	
23	6J8-14548-00-00	..PIN, FLOAT ARM	3	
24	6J8-14966-00-00	..PLUG	3	
25	6J8-14126-00-00	..PLUG	3	
26	6J8-14118-00-00	..PLUG	3	
27	97980-04112-00	..SCREW, WITH WASHER	3	

6J80100-4320

30msha\_25msh3a

D10