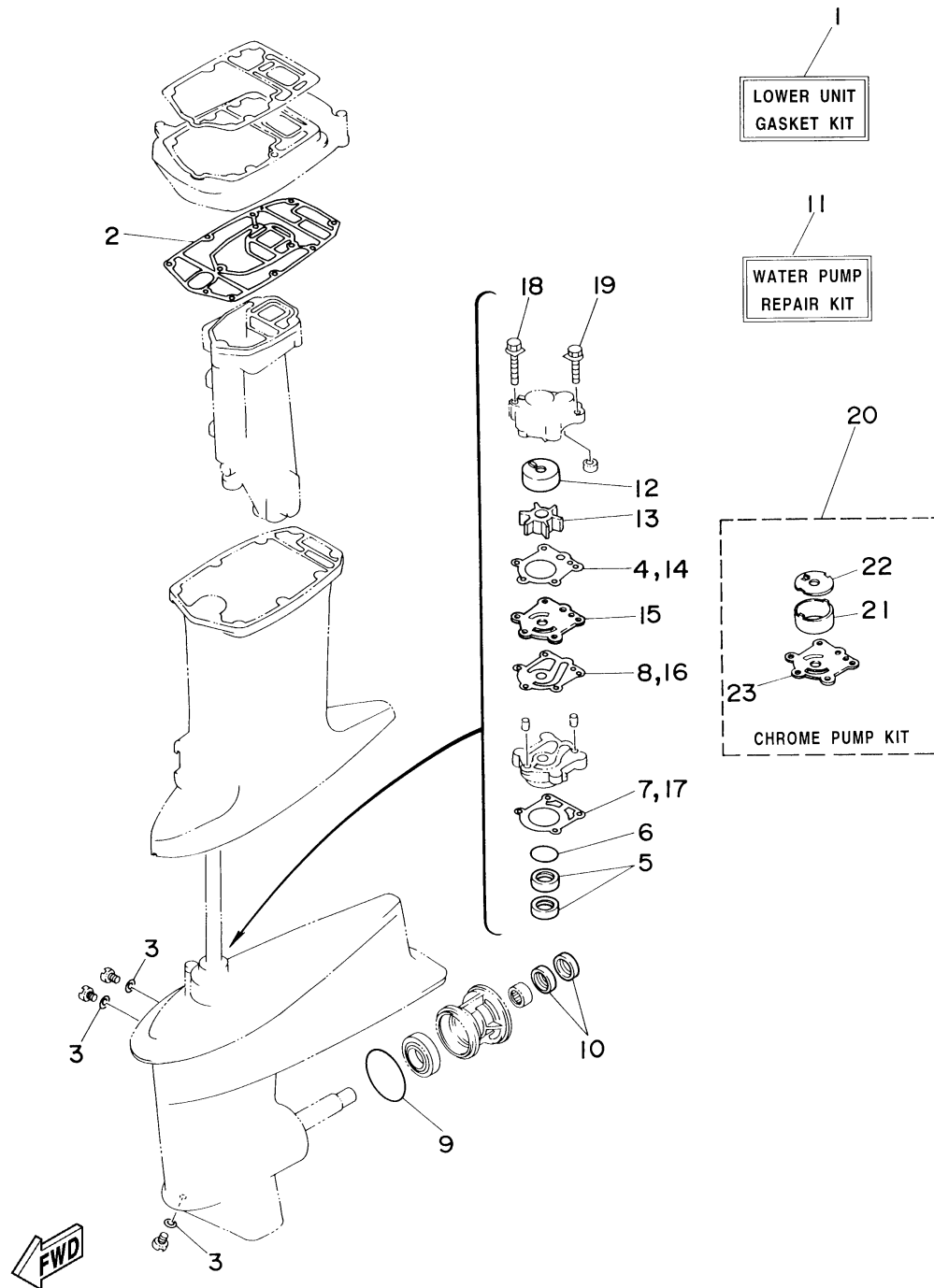


# REPAIR KIT 2

Ref No.	Part Number	Description	Qty	Remarks
1	6J8-W0001-C2-00	LOWER UNIT GASKET KIT	1	
2	6J8-45114-A1-00	. .GASKET, UPPER CASING	1	
3	90430-08020-00	. .GASKET	3	
4	663-44315-A0-00	. .GASKET, WATER PUMP	1	
5	93101-23070-00	. .OIL SEAL	2	
6	93210-41042-00	. .O-RING	1	
7	663-44316-A0-00	. .GASKET, WATER PUMP	1	
8	663-44324-A0-00	. .GASKET, CARTRIDGE	1	
9	93210-60MA3-00	. .O-RING	1	
10	93101-20M07-00	. .OIL SEAL	2	
11	6J8-W0078-A2-00	WATER PUMP REPAIR KIT	1	
12	663-44322-00-00	. .INSERT, CARTRIDGE	1	
13	6H4-44352-02-00	. .IMPELLER	1	
14	663-44315-A0-00	. .GASKET, WATER PUMP	1	
15	663-44323-00-00	. .OUTER PLATE, CARTRIDGE	1	
16	663-44324-A0-00	. .GASKET, CARTRIDGE	1	
17	663-44316-A0-00	. .GASKET, WATER PUMP	1	
18	90119-08M13-00	. .BOLT, WITH WASHER	2	
19	90119-08M34-00	. .BOLT, WITH WASHER	2	
20	6H4-W0078-0A-00	CHROME PUMP KIT	1	

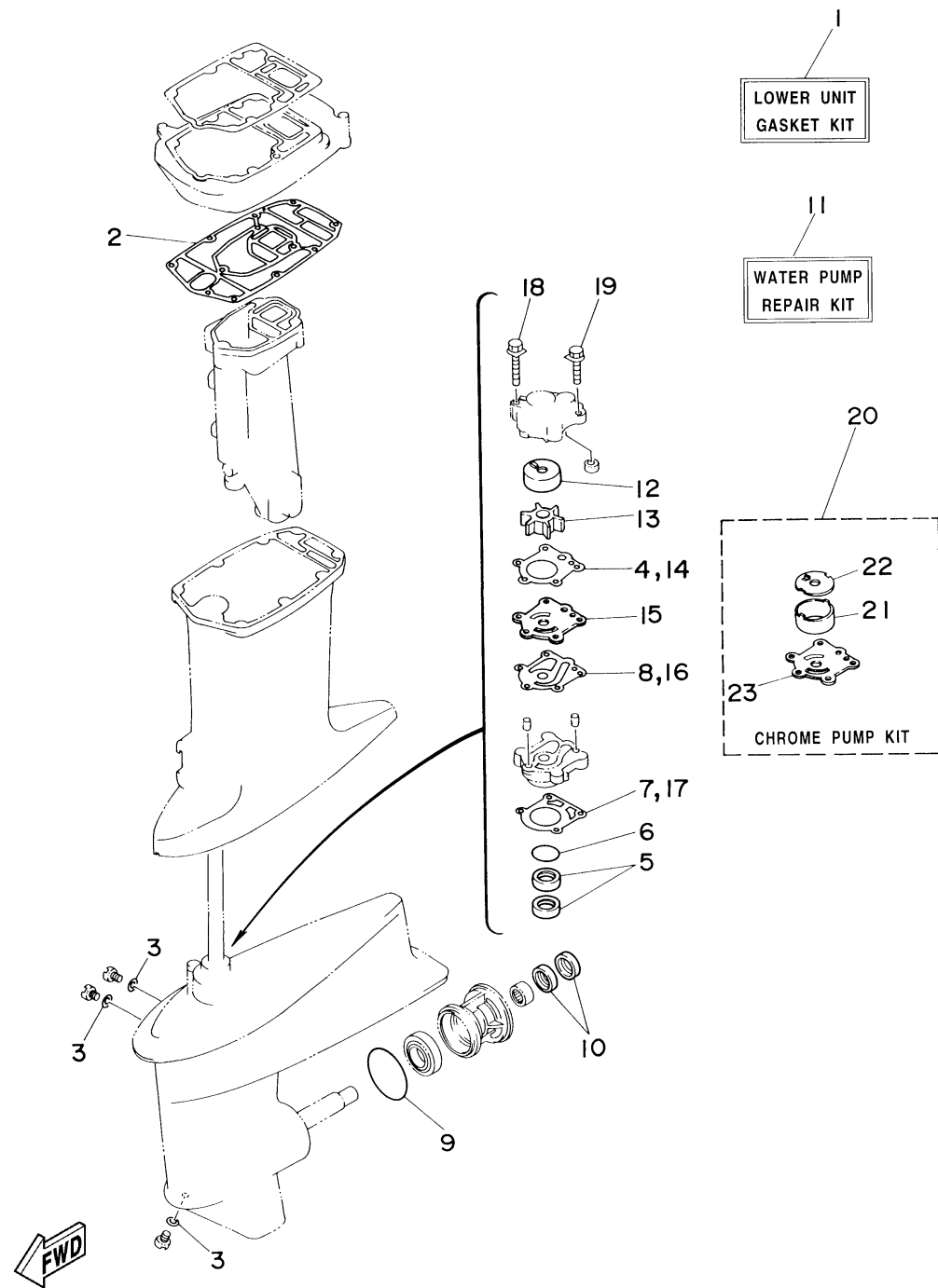
CONTINUED ON NEXT FRAME >



6J80100-4330

# REPAIR KIT 2

Ref No.	Part Number	Description	Qty	Remarks
21	670-44322-01-00	. INSERT, CARTRIDGE	1	
22	670-44321-00-00	. INNER PLATE, CARTRIDGE	1	
23	670-44323-00-00	. OUTER PLATE, CARTRIDGE	1	



6J80100-4330

## 25MSH3A (6K91)

Engine Serial No. 25MSH3A: 6K95-202192 and following

## 30MSHA (6J84)

Engine Serial No. 30MSHA: 6J85-111567 and following

ALL THESE MODELS USE THIS SAME PARTS CATALOG.  
BE SURE TO ORDER ONLY THOSE PARTS APPLICABLE  
TO THE DESIRED MODEL.

## MODELS IN THIS CATALOG

Ref No.	Part Number	Description	Qty	Remarks
---------	-------------	-------------	-----	---------