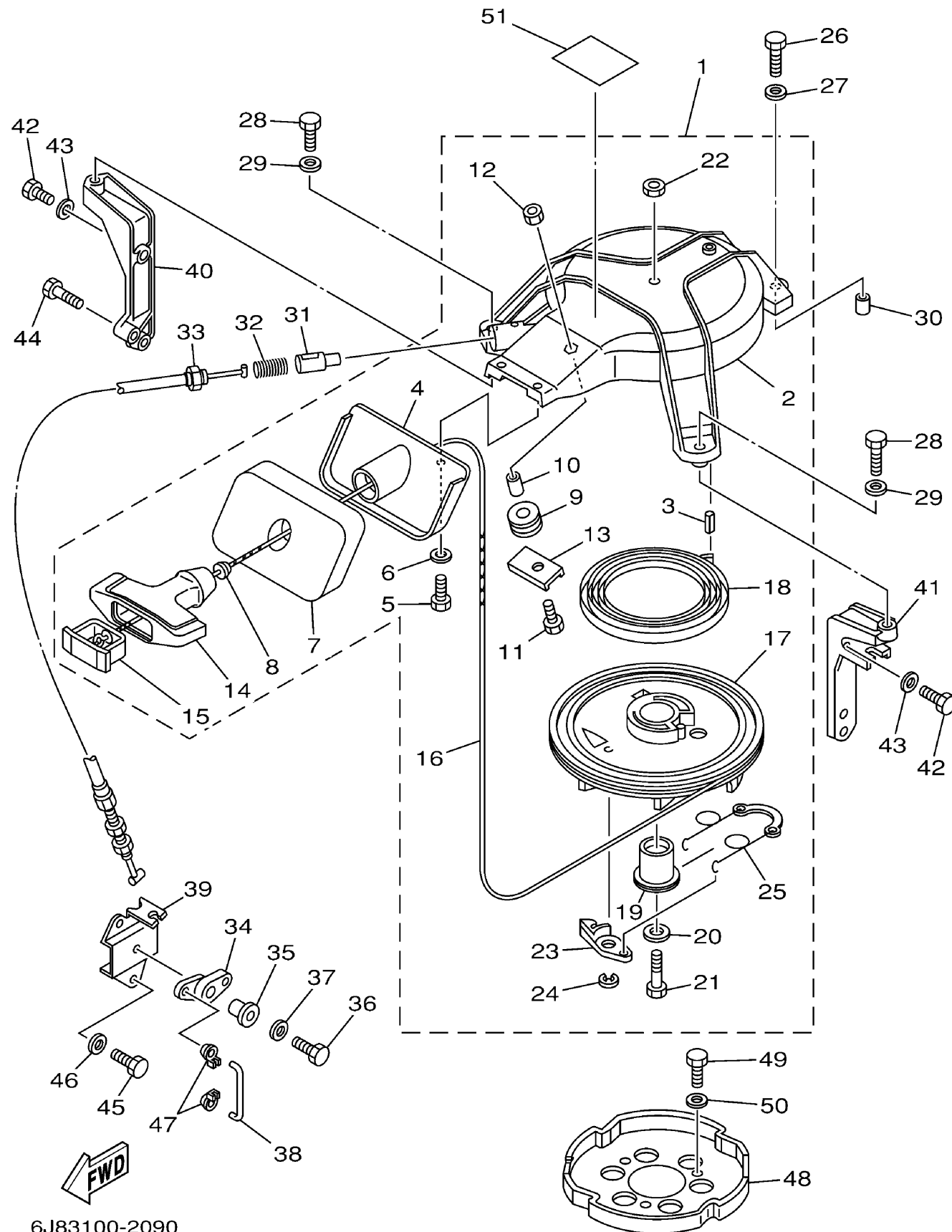


STARTER

Ref No.	Part Number	Description	Qty	Remarks
1	6J8-15710-02-4D	STARTER ASSY	1	
2	6J8-15711-00-94	.CASE, STARTER	1	
3	91690-40014-00	.PIN, SPRING	1	
4	6J8-15758-01-94	.GUIDE, ROPE	1	
5	97095-06016-00	.BOLT	2	
6	92995-06600-00	.WASHER	2	
7	6J8-15762-00-00	.SEAL, RUBBER 2	1	
8	6A0-15789-00-00	.DAMPER	1	
9	6F5-15752-00-00	.ROLLER, WIRE	1	
10	6F5-15753-00-00	.BUSH	1	
11	97095-06025-00	.BOLT	1	
12	95380-06600-00	.NUT, HEXAGON	1	
13	6J8-15787-00-00	.ADAPTOR	1	
14	689-15755-01-00	.HANDLE, STARTER	1	
15	6F5-15779-02-00	.COVER	1	
16	90580-50M01-00	.STARTER ROPE	1	
17	6J8-15714-00-00	.DRUM, SHEAVE	1	
18	90510-08M04-00	.SPRING, SPIRAL	1	
19	677-15717-01-00	.SHAFT, STARTER	1	
20	90201-06060-00	.WASHER, PLATE	1	

CONTINUED ON NEXT FRAME >

6J83100-2090
30msha_25msh3a

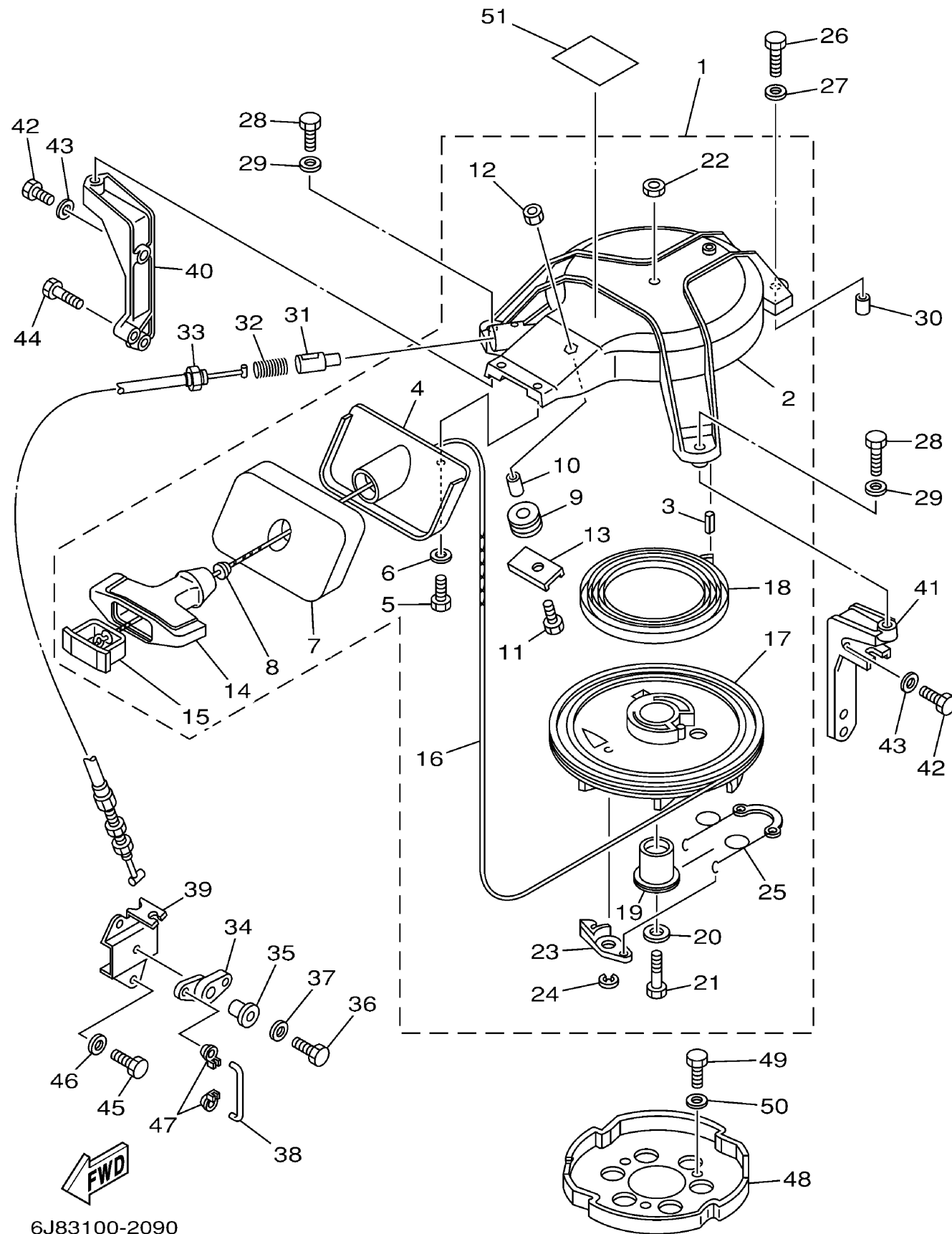


STARTER

Ref No.	Part Number	Description	Qty	Remarks
21	97095-06025-00	. BOLT	1	
22	95380-06700-00	. NUT	1	
23	676-15741-03-00	. .PAWL, DRIVE	1	
24	93430-06M02-00	. .CIRCLIP	1	
25	6J8-15705-00-00	. .SPRING, DRIVE PAWL	1	
26	97095-06035-00	BOLT	1	
27	92995-06600-00	WASHER	1	
28	97095-06025-00	BOLT	2	
29	92995-06600-00	WASHER	2	
30	99530-10014-00	PIN, DOWEL	1	
31	656-15748-00-00	PLUNGER, STARTER STOP	1	
32	90501-10227-00	SPRING, COMPRESSION	1	
33	6J8-15770-00-00	CABLE COMP., STARTER STOP	1	
34	6J8-15746-01-00	ARM	1	
35	90387-06M29-00	COLLAR	1	
36	97095-06025-00	BOLT	1	
37	92995-06600-00	WASHER	1	
38	6J8-15747-00-00	LINK	1	
39	6J8-15774-01-00	STAY 4	1	
40	6J8-15771-00-94	STAY 1	1	

CONTINUED ON NEXT FRAME >

6J83100-2090
30msha_25msh3a



6J83100-2090
30msha_25msh3a

STARTER

Ref No.	Part Number	Description	Qty	Remarks
41	6J8-15772-00-94	STAY 2	1	
42	97013-06020-00	BOLT	3	
43	92903-06600-00	WASHER, PLATE	3	
44	90101-06024-00	BOLT	1	
45	97095-06016-00	BOLT	2	
46	92995-06600-00	WASHER	2	
47	661-41262-02-00	JOINT, CHOKE LEVER	2	
48	6J8-15723-00-00	PULLEY, STARTER	1	
49	97013-08014-00	BOLT	3	
50	92903-08600-00	WASHER, PLATE	3	
51	6J8-13437-41-00	MARK, CAUTION	1	30-O/I (30MH)

B10