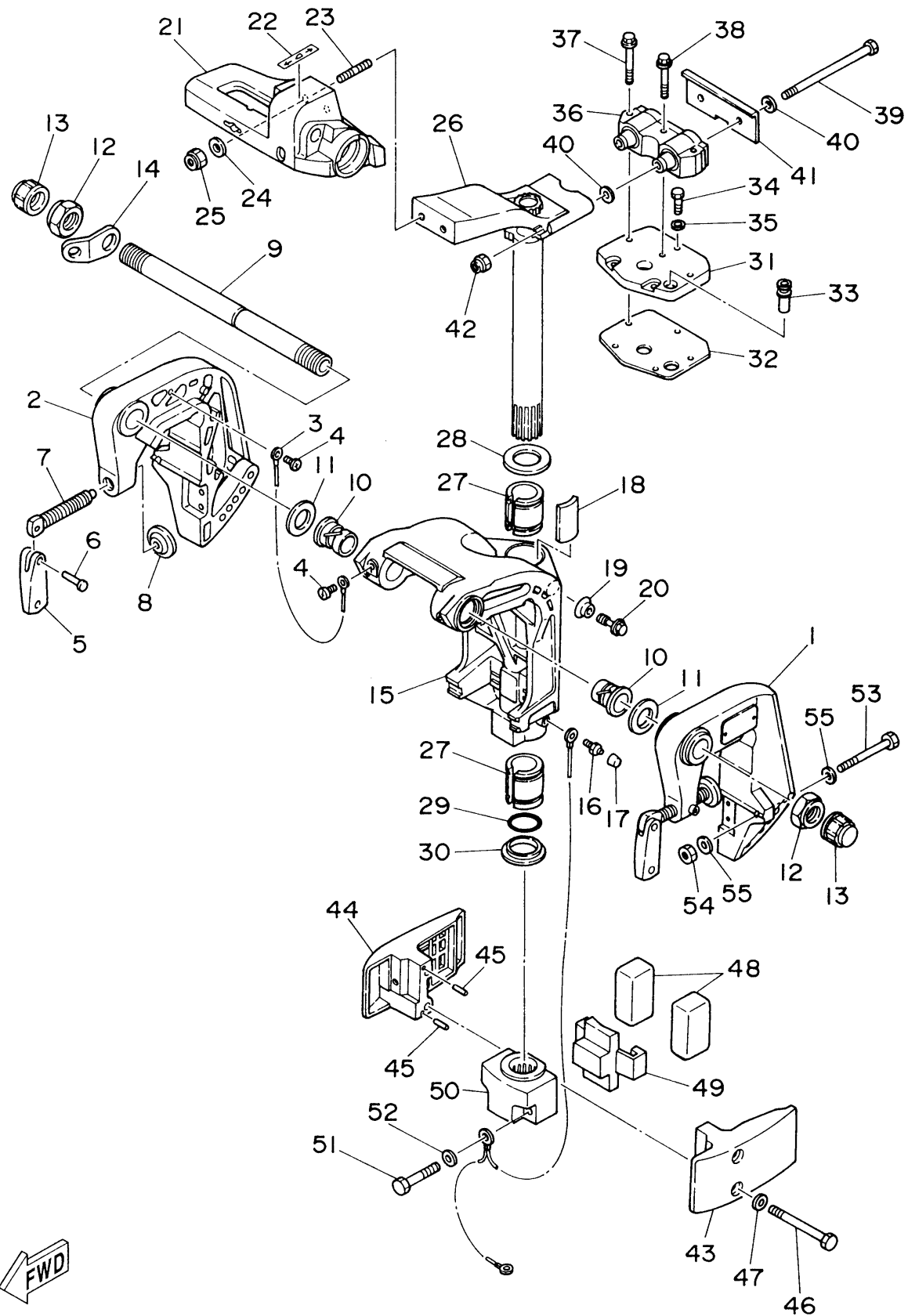


BRACKET 1

Ref No.	Part Number	Description	Qty	Remarks
1	6L2-43111-04-4D	BRACKET, CLAMP	1	(25MH)
2	6L2-43112-05-4D	BRACKET, CLAMP	1	(25MH)
3	6E5-82148-00-00	WIRE, LEAD 4	1	(25MH)
4	97885-06008-00	SCREW, PAN HEAD	2	(25MH)
5	6E0-43118-01-00	HANDLE, TRANSOM CLAMP	2	(25MH)
6	90243-04M01-00	PIN	2	(25MH)
7	6L2-43116-00-00	SCREW, TRANSOM CLAMP	2	(25MH)
8	648-43114-01-00	PAD, TRANSOM CLAMP	2	(25MH)
9	6J8-43131-01-00	BOLT, CLAMP BRACKET	1	(25MH)
10	90386-22M67-00	BUSH	2	(25MH)
11	90201-22M03-00	WASHER, PLATE	2	(25MH)
12	90185-22043-00	NUT, SELF-LOCKING	2	(25MH)
13	6G5-43145-01-00	CAP, CLAMP BRACKET	2	(25MH)
14	6J8-43113-01-00	PLATE, CLAMP BRACKET	1	(25MH)
15	6L2-43311-05-4D	BRACKET, SWIVEL 1	1	(25MH)
16	93700-06M03-00	NIPPLE, GREASE	1	(25MH)
17	663-45119-00-00	CAP, GREASE NIPPLE	1	AP(25MH)
18	6H4-42528-00-00	PLATE, FRICTION	1	(25MH)
19	689-43373-01-00	SEAL, DAMPER	1	(25MH)
20	90105-06M18-00	BOLT, FLANGE	1	(25MH)

CONTINUED ON NEXT FRAME >





BRACKET 1

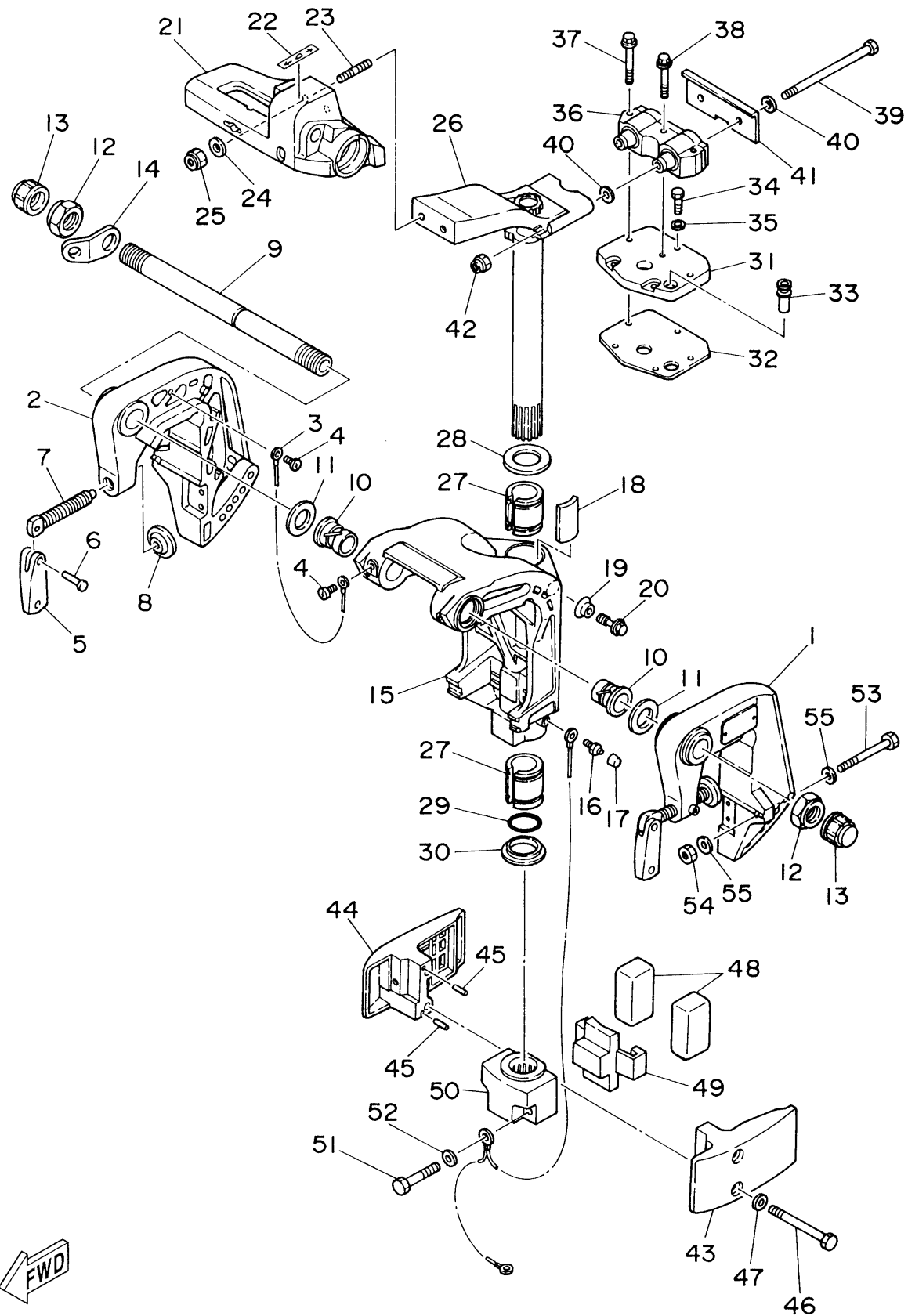
Ref No.	Part Number	Description	Qty	Remarks
21	6L2-42121-02-4D	BRACKET	1	(25MH)
22	6E0-44191-11-00	INDICATOR, SHIFT	1	(25MH)
23	90116-10M28-00	BOLT, STUD	2	(25MH)
24	92995-10600-00	WASHER	2	(25MH)
25	90185-10051-00	NUT, SELF-LOCKING	2	(25MH)
26	6L2-42510-01-4D	STEERING BRACKET ASSY	1	(25MH)
27	90386-30M75-00	BUSH	2	(25MH)
28	90201-30M00-00	WASHER, PLATE	1	(25MH)
29	93210-29375-00	.O-RING	1	(25MH)
30	90386-30M60-00	BUSH	1	(25MH)
31	6L2-44512-00-4D	COVER, UPPER MOUNT	1	(25MH)
32	6L2-45114-A1-00	GASKET, UPPER CASING	1	(25MH)
33	6L2-44365-00-00	DAMPER, WATER SEAL	1	(25MH)
34	97095-06020-00	BOLT	3	(25MH)
35	92995-06600-00	WASHER	3	(25MH)
36	6L2-44514-01-00	MOUNT DAMPER, UPPER SIDE	1	(25MH)
37	90119-06M04-00	BOLT, WITH WASHER	2	(25MH)
38	90119-06M05-00	BOLT, WITH WASHER	1	(25MH)
39	90101-08M09-00	BOLT	2	(25MH)
40	90201-08M01-00	WASHER, PLATE	4	(25MH)

CONTINUED ON NEXT FRAME >



6L20010-4160

25msha



BRACKET 1

Ref No.	Part Number	Description	Qty	Remarks
41	6L2-44526-00-00	PLATE	1	(25MH)
42	90185-08057-00	NUT, SELF-LOCKING	2	(25MH)
43	6L2-44551-01-4D	HOUSING, LOWER MOUNT RUBBER	1	(25MH)
44	6L2-44552-01-4D	HOUSING, LOWER MOUNT RUBBER	1	(25MH)
45	93604-12M07-00	PIN, DOWEL	2	(25MH)
46	97095-08085-00	BOLT	2	(25MH)
47	92995-08600-00	WASHER	2	(25MH)
48	6L2-44555-00-00	MOUNT DAMPER, LOWER SIDE	2	(25MH)
49	6L2-44557-00-00	MOUNT DAMPER, LOWER FRONT	1	(25MH)
50	6L2-44553-01-4D	COVER, LOWER MOUNT	1	(25MH)
51	97095-08045-00	BOLT	2	(25MH)
52	92995-08600-00	WASHER	2	(25MH)
53	97095-08070-00	BOLT	2	AP(25MH)
54	95380-08600-00	NUT	4	AP(25MH)
55	92995-08600-00	WASHER	4	AP(25MH)



6L20010-4160

25msha