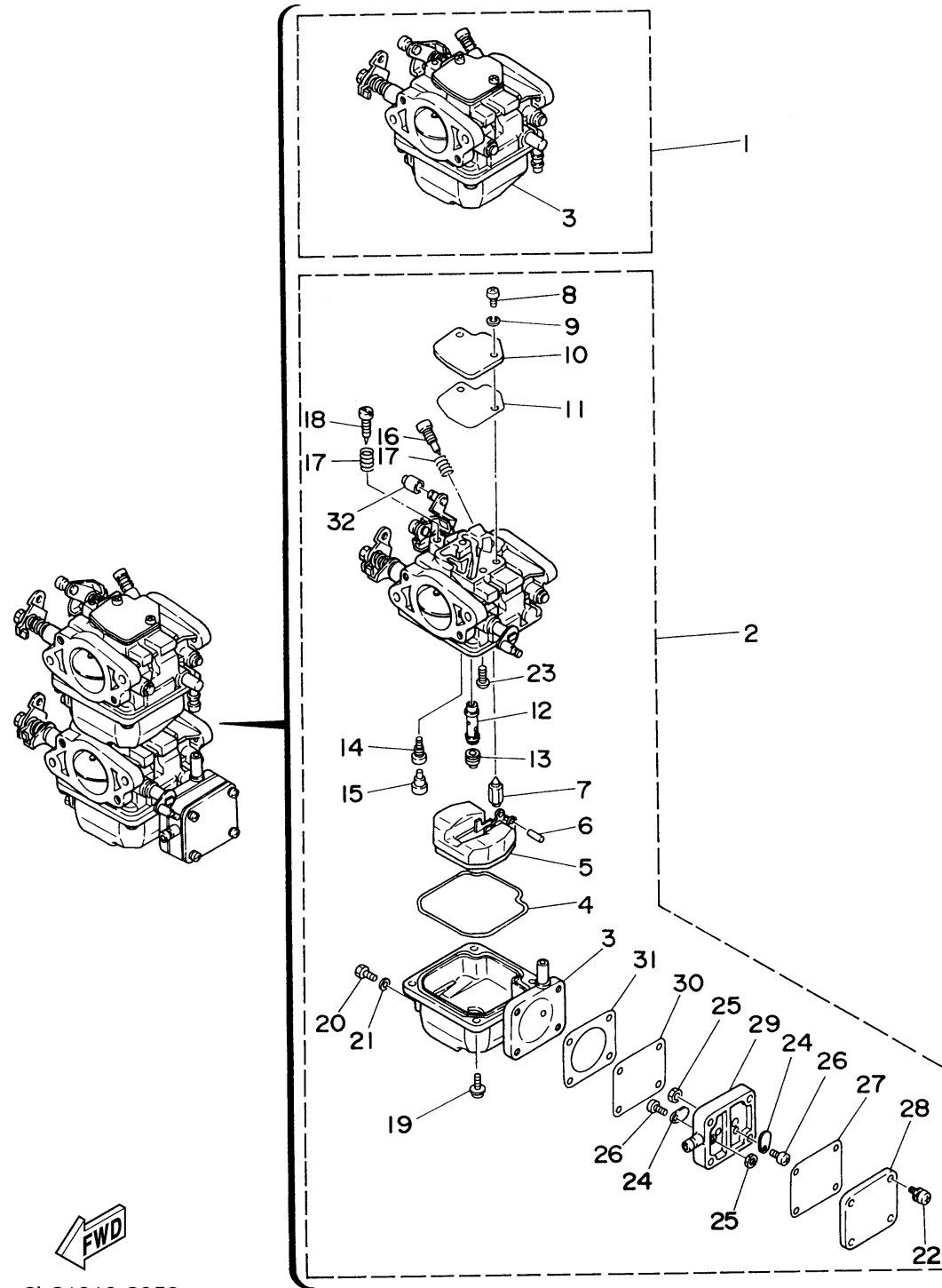


CARBURETOR

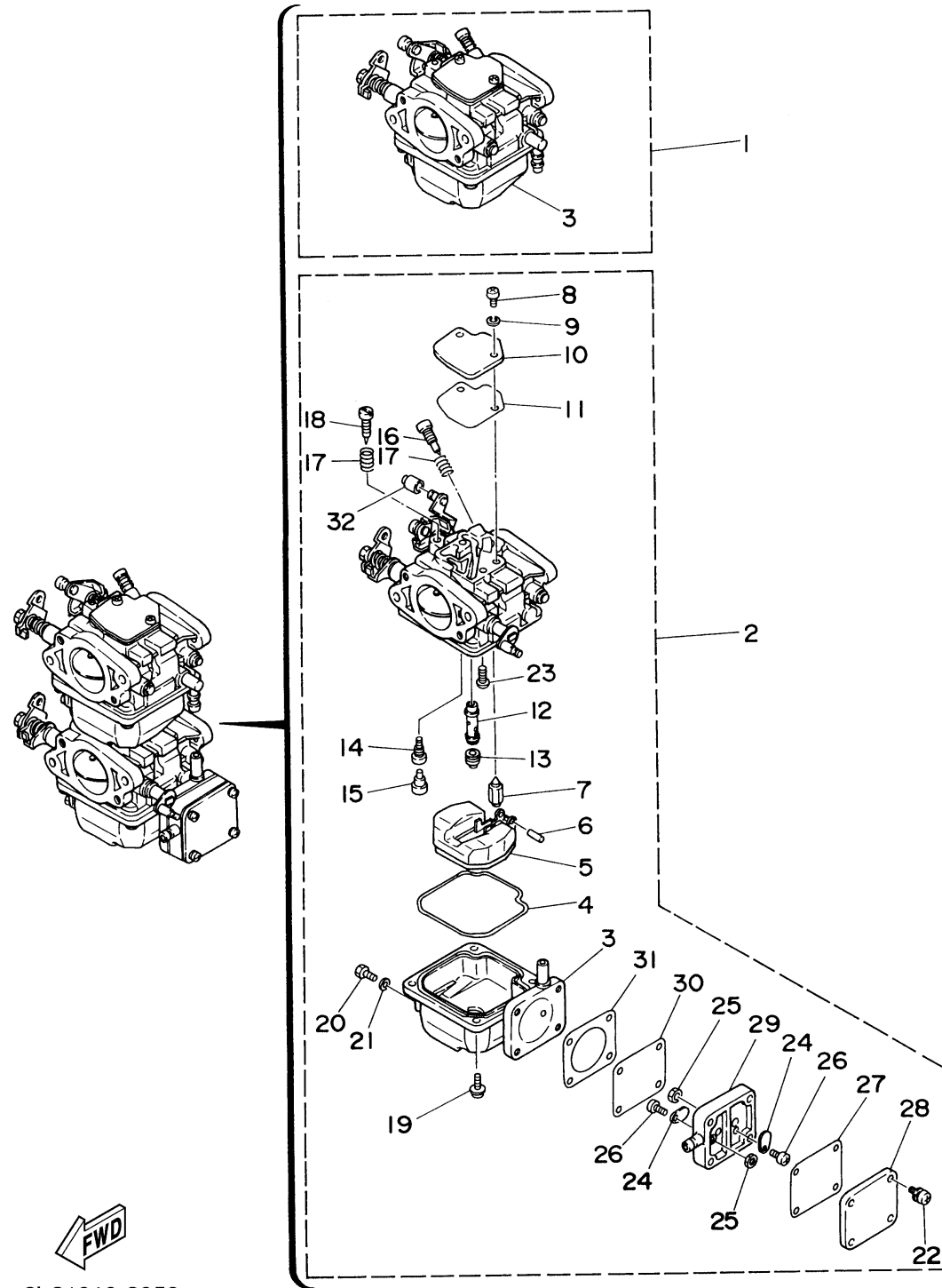


6L21010-2050

Ref No.	Part Number	Description	Qty	Remarks
1	6L2-14301-01-00	CARBURETOR ASSY 1	1	1(25MH)
2	6L2-14302-01-00	CARBURETOR ASSY 2	1	2(25MH)
3	6L2-14381-00-00	. .BODY, FLOAT CHAMBER 1	1	UR 1(25MH)
3	6L2-14383-00-00	. .BODY, FLOAT CHAMBER 2	1	UR 2(25MH)
4	6L2-14384-00-00	. .GASKET, FLOAT CHAMBER	2	(25MH)
5	6L2-14385-00-00	. .FLOAT	2	(25MH)
6	6E5-14386-01-00	. .PIN, FLOAT	2	(25MH)
7	6L2-14392-00-00	. .VALVE, NEEDLE	2	(25MH)
8	97880-04010-00	. .SCREW, PAN HEAD	4	(25MH)
9	92900-04100-00	. .WASHER	4	(25MH)
10	6L2-14157-00-00	. .COVER, MIXING	2	(25MH)
11	6L2-14399-00-00	. .GASKET	2	(25MH)
12	6L2-14341-00-00	. .NOZZLE, MAIN	2	(25MH)
13	30X-14343-63-00	. .JET, MAIN (#125)	2	(25MH)
14	6L2-14342-30-00	. .JET, PILOT (# 60)	2	(25MH)
15	50M-14355-00-00	. .PLUG	2	(25MH)
16	6L2-14323-00-00	. .SCREW, AIR ADJUSTING	2	(25MH)
17	646-14212-01-00	. .SPRING, PILOT ADJUSTING	4	(25MH)
18	664-14321-01-00	. .SCREW, THROTTLE	2	(25MH)
19	97980-04112-00	. .SCREW, WITH WASHER	8	(25MH)

CONTINUED ON NEXT FRAME >

CARBURETOR



6L21010-2050

25msha

Ref No.	Part Number	Description	Qty	Remarks
20	677-14383-00-00	..SCREW, DRAIN	2	(25MH)
21	6L2-14398-00-00	..GASKET	2	(25MH)
22	677-24444-01-00	..SCREW	4	(25MH)
23	98980-04006-00	..SCREW, BIND	2	(25MH)
24	6A0-24421-01-00	..VALVE, CHECK	2	(25MH)
25	95380-03600-00	..NUT	2	(25MH)
26	6E7-14325-00-00	..SCREW, PAN HEAD	2	(25MH)
27	6L2-24435-00-00	..GASKET, BODY 2	1	(25MH)
28	6L2-24413-00-00	..BODY 2	1	(25MH)
29	682-24412-01-00	..BODY 1	1	(25MH)
30	677-24411-02-00	..DIAPHRAGM	1	(25MH)
31	677-24434-02-00	..GASKET, BODY	1	(25MH)
32	6L2-14578-00-00	..COLLAR	1	2(25MH)

B1