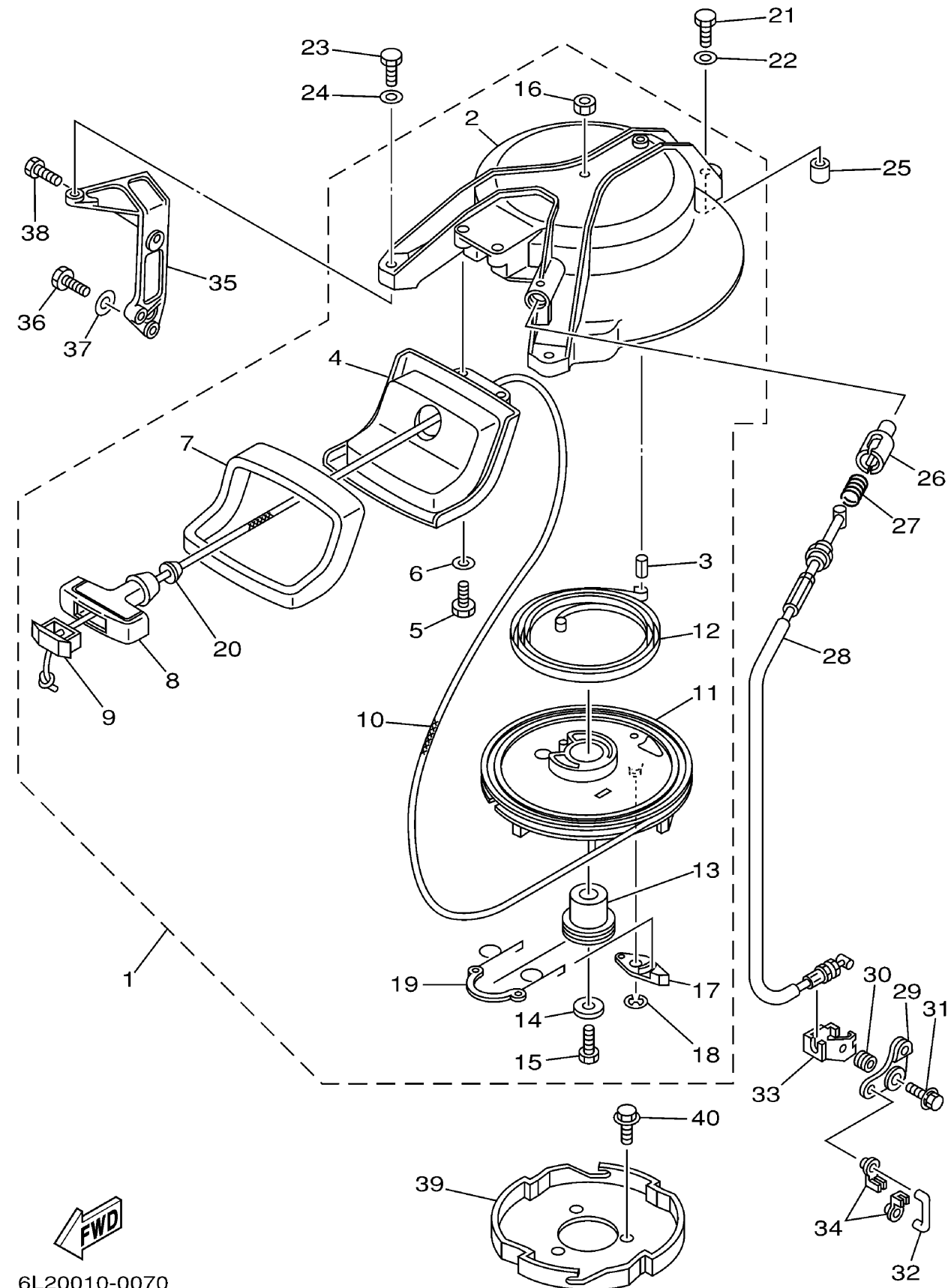


STARTER

Ref No.	Part Number	Description	Qty	Remarks
1	6L2-15710-02-00	STARTER ASSY	1	(25MH)
2	6L2-15711-00-94	..CASE, STARTER	1	(25MH)
3	91690-40014-00	..PIN, SPRING	1	(25MH)
4	6L2-15758-01-94	..GUIDE, ROPE	1	(25MH)
5	97095-06016-00	..BOLT	2	(25MH)
6	92995-06600-00	..WASHER	2	(25MH)
7	6L2-15762-00-00	..SEAL, RUBBER 2	1	(25MH)
8	689-15755-01-00	..HANDLE, STARTER	1	(25MH)
9	6F5-15779-02-00	..COVER	1	(25MH)
10	90580-50M01-00	..STARTER ROPE	1	(25MH)
11	6J8-15714-00-00	..DRUM, SHEAVE	1	(25MH)
12	90510-08M04-00	..SPRING, SPIRAL	1	(25MH)
13	677-15717-01-00	..SHAFT, STARTER	1	(25MH)
14	90201-06060-00	..WASHER, PLATE	1	(25MH)
15	97013-06025-00	..BOLT	1	(25MH)
16	95303-06700-00	..NUT	1	(25MH)
17	676-15741-03-00	..PAWL, DRIVE	1	(25MH)
18	93430-06M02-00	..CIRCLIP	1	(25MH)
19	6J8-15705-00-00	..SPRING, DRIVE PAWL	1	(25MH)
20	6A0-15789-00-00	..DAMPER	1	(25MH)

CONTINUED ON NEXT FRAME >

FWD
6L20010-0070
25msha



STARTER

Ref No.	Part Number	Description	Qty	Remarks
21	97095-06035-00	BOLT	1	(25MH)
22	92995-06600-00	WASHER	1	(25MH)
23	97095-06025-00	BOLT	2	(25MH)
24	92995-06600-00	WASHER	2	(25MH)
25	99530-10014-00	PIN, DOWEL	1	(25MH)
26	656-15748-00-00	PLUNGER, STARTER STOP	1	(25MH)
27	90501-10227-00	SPRING, COMPRESSION	1	(25MH)
28	6L2-15770-00-00	CABLE COMP., STARTER STOP	1	(25MH)
29	6L2-15746-00-00	ARM	1	(25MH)
30	90387-06M51-00	COLLAR	1	(25MH)
31	90119-06M53-00	BOLT, WITH WASHER	1	(25MH)
32	6L2-15747-00-00	LINK	1	(25MH)
33	6L2-15774-00-00	STAY 4	1	(25MH)
34	661-41262-02-00	JOINT, CHOKE LEVER	2	(25MH)
35	6L2-15772-00-94	STAY 2	1	(25MH)
36	97013-06020-00	BOLT	1	(25MH)
37	92903-06600-00	WASHER, PLATE	1	(25MH)
38	97095-06020-00	BOLT	1	(25MH)
39	6L2-15723-01-00	PULLEY, STARTER	1	(25MH)
40	90105-08M10-00	BOLT, FLANGE	3	(25MH)



6L20010-0070
25msha