

BRACKET

Ref No.	Part Number	Description	Qty	Remarks
1	6A1-43111-03-4D	BRACKET, CLAMP	1	(2MH)
2	6A1-43112-00-4D	BRACKET, CLAMP	1	(2MH)
3	6A1-43191-00-00	SHAFT, STOPPER	1	(2MH)
4	6A1-43192-00-00	KNOB, STOPPER	1	(2MH)
5	91690-30014-00	PIN, SPRING	1	(2MH)
6	6E0-43116-01-00	SCREW, TRANSOM CLAMP	2	(2MH)
7	6E0-43118-01-00	HANDLE, TRANSOM CLAMP	2	(2MH)
8	90243-04M01-00	PIN	2	(2MH)
9	620-43114-00-00	PAD, TRANSOM CLAMP	2	(2MH)
10	90101-08217-00	BOLT	1	(2MH)
11	90202-08022-00	WASHER, PLATE	2	(2MH)
12	6A1-43113-01-00	PLATE, CLAMP BRACKET	1	(2MH)
13	95380-08600-00	NUT	1	(2MH)
14	6A1-43311-02-4D	BRACKET, SWIVEL 1	1	(2MH)
15	6A1-43312-00-4D	BRACKET, SWIVEL 2	1	(2MH)
16	646-42537-01-00	BUSHING, PIVOT SHAFT	2	(2MH)
17	93210-46044-00	O-RING	1	(2MH)
18	90119-06M98-00	BOLT, WITH WASHER	4	(2MH)
19	95380-06600-00	NUT, HEXAGON	4	(2MH)
20	93700-06M03-00	NIPPLE, GREASE	1	(2MH)

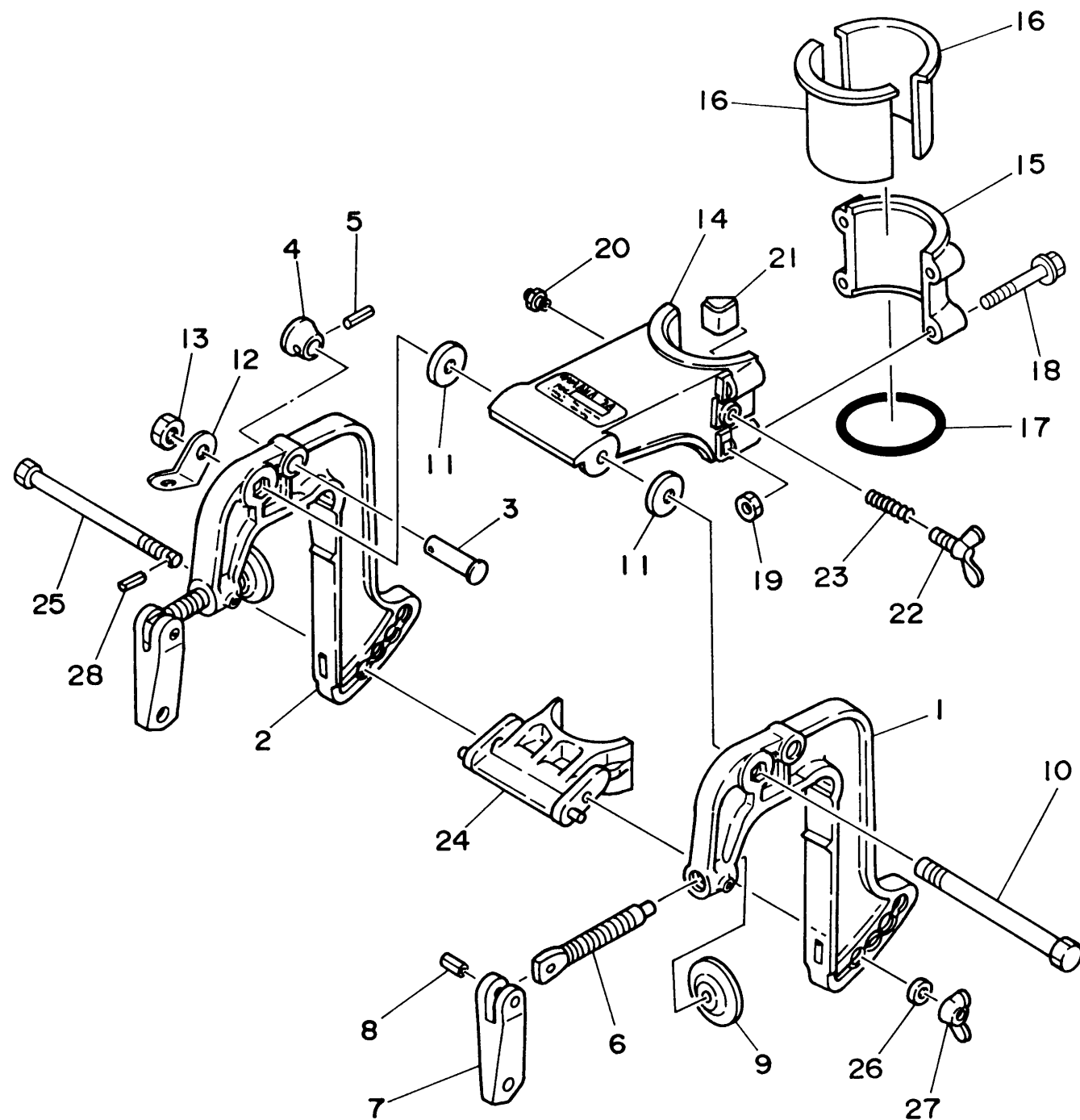
CONTINUED ON NEXT FRAME >



6A10010-4060

2msha

B2



BRACKET

Ref No.	Part Number	Description	Qty	Remarks
21	646-42528-00-00	PLATE, FRICTION	1	(2MH)
22	90122-06004-00	BOLT, WING	1	(2MH)
23	90501-12272-00	SPRING, COMPRESSION	1	(2MH)
24	6A1-43351-00-00	RECEIVER, THRUST	1	(2MH)
25	6A1-43371-00-00	BOLT, RECEIVER	1	(2MH)
26	90201-06040-00	WASHER, PLATE	1	(2MH)
27	90175-06008-00	NUT, WING	1	(2MH)
28	91690-20006-00	PIN, SPRING	1	(2MH)



6A10010-4060

2msha

B3