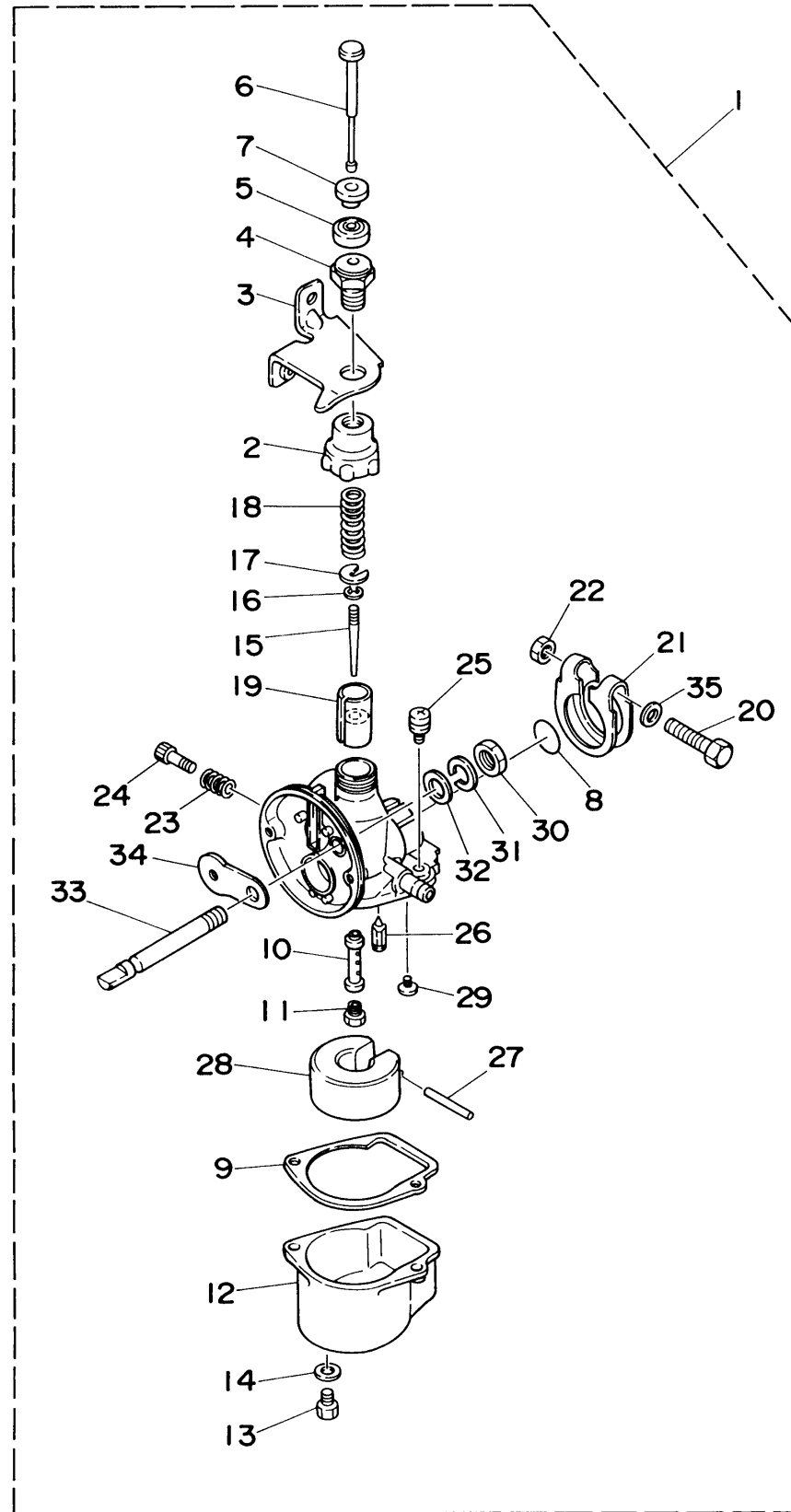


CARBURETOR



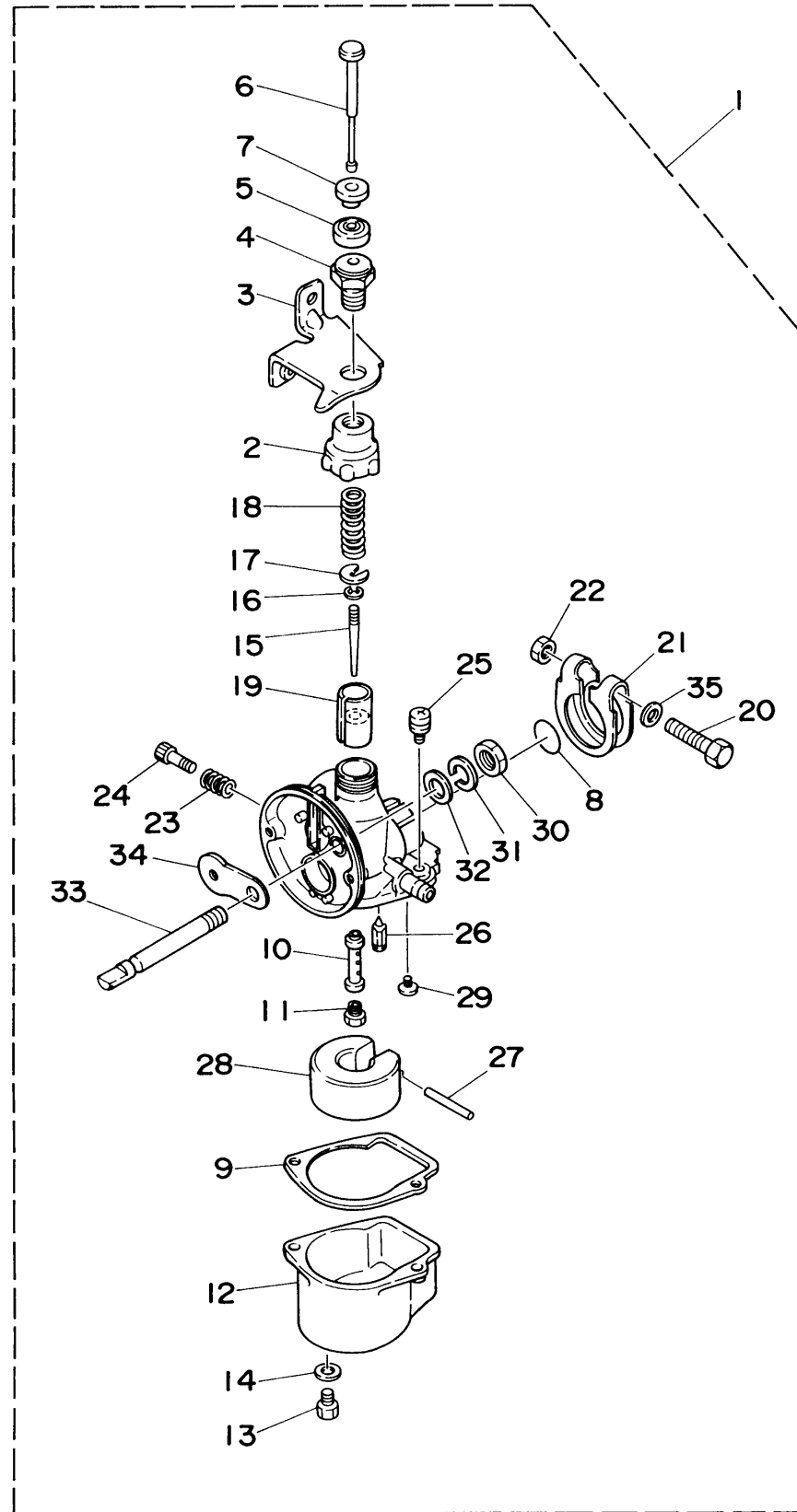
Ref No.	Part Number	Description	Qty	Remarks
1	6A1-14301-03-00	CARBURETOR ASSY 1	1	(2MH)
2	646-14158-00-00	. .TOP, MIXING CHAMBER	1	(2MH)
3	6A1-14497-00-00	. .STAY, THROTTLE WIRE	1	(2MH)
4	646-14321-00-00	. .SCREW, THROTTLE	1	(2MH)
5	646-14169-00-00	. .CAP	1	(2MH)
6	6A1-14314-00-00	. .BAR, THROTTLE	1	(2MH)
7	6A1-14163-00-00	. .SPACER	1	(2MH)
8	646-14229-01-00	. O-RING	1	(2MH)
9	6A1-14384-00-00	. GASKET, FLOAT CHAMBER	1	(2MH)
10	6A1-14341-01-00	. .NOZZLE, MAIN	1	(2MH)
11	6A1-14343-48-00	. .JET, MAIN (# 96)	1	(2MH)
12	6A1-14381-02-00	. .BODY, FLOAT CHAMBER	1	(2MH)
13	97890-05006-00	. SCREW, PAN HEAD	1	(2MH)
14	646-14198-01-00	. GASKET	1	(2MH)
15	6A1-14116-10-00	. NEEDLE	1	(2MH)
16	646-14137-00-00	. CLIP	1	(2MH)
17	646-14136-00-00	. .SEAT, SPRING	1	(2MH)
18	646-14331-01-00	. .SPRING, THROTTLE VALVE	1	(2MH)
19	646-14312-08-00	. .VALVE, THROTTLE 1	1	(2MH)
20	6A1-14125-01-00	. .SCREW	1	(2MH)

CONTINUED ON NEXT FRAME >



6A10010-4030
2msha

A10



CARBURETOR

Ref No.	Part Number	Description	Qty	Remarks
21	6A1-14127-01-00	. .CLIP	1	(2MH)
22	6A1-14358-01-00	. .NUT	1	(2MH)
23	6A1-14212-00-00	. .SPRING, PILOT ADJUSTING	1	(2MH)
24	646-14211-02-00	. .SCREW, PILOT ADJUSTING	1	(2MH)
25	97980-04110-00	. .SCREW, WITH WASHER	2	(2MH)
26	6A1-14392-00-00	. .VALVE, NEEDLE	1	(2MH)
27	6A1-14386-00-00	. .PIN, FLOAT	1	(2MH)
28	6A1-14385-00-00	. .FLOAT	1	(2MH)
29	98580-03005-00	. .SCREW, PAN HEAD	1	(2MH)
30	646-14358-00-00	. .NUT	1	(2MH)
31	6A1-14356-00-00	. .WASHER, SPRING	1	(2MH)
32	646-14357-00-00	. .WASHER, PLAIN	1	(2MH)
33	6A1-14448-00-00	. .LEVER, CHOKE VALVE	1	(2MH)
34	6A1-14217-01-00	. .VALVE, CHOKE	1	(2MH)
35	92990-05600-00	. .WASHER, PLATE	1	(2MH)



6A10010-4030
2msha