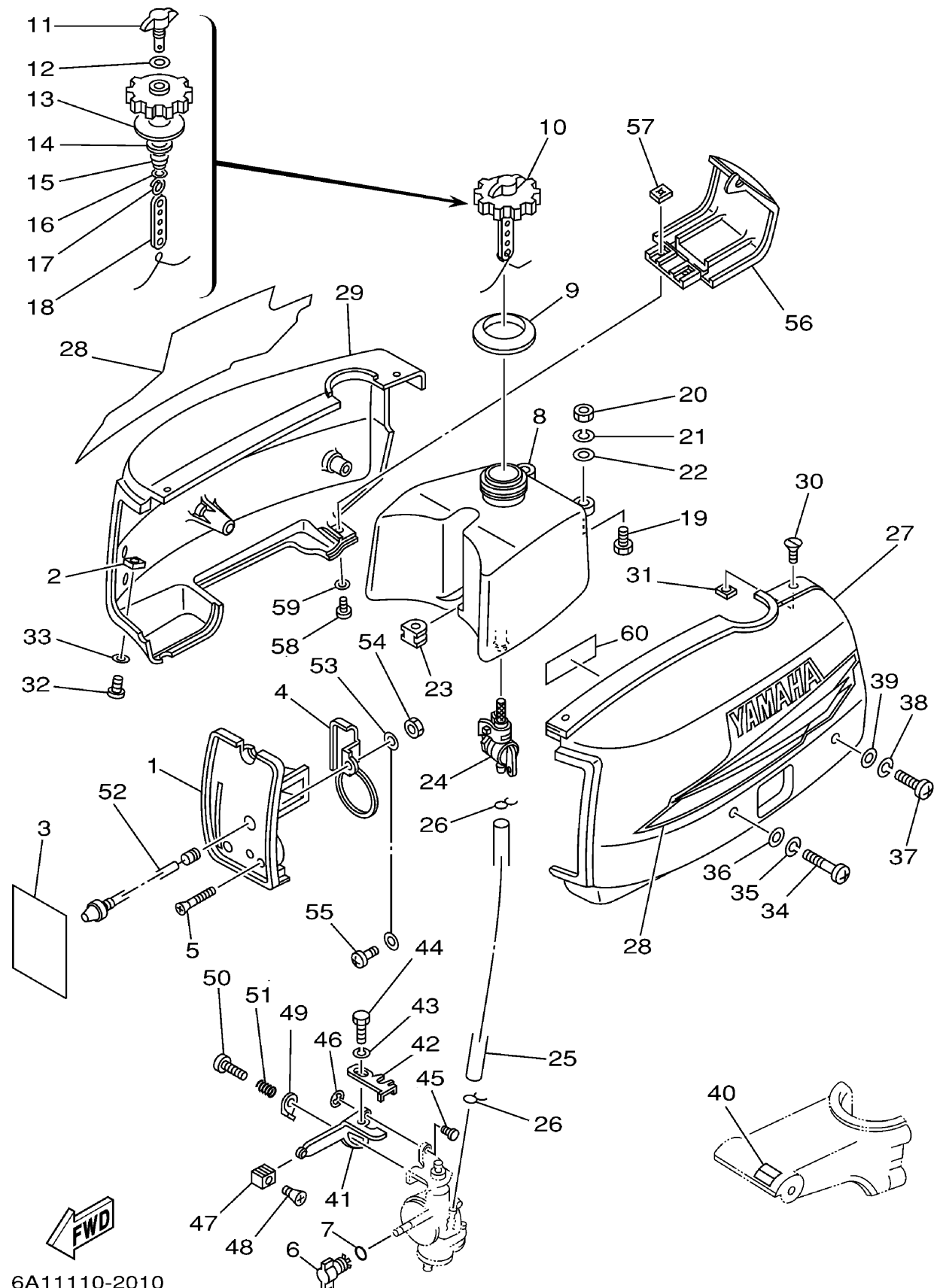


6A11110-2010
2msha

COWLING FUEL

Ref No.	Part Number	Description	Qty	Remarks
21	92995-06100-00	WASHER, SPRING	2	(2MH)
22	90201-06M30-00	.WASHER, PLATE	2	(2MH)
23	6A1-24181-00-00	DAMPER, LOCATING 1	1	(2MH)
24	6A1-24500-02-00	FUEL COCK ASSY 1	1	(2MH)
25	6A1-24311-00-00	PIPE, FUEL 1	1	(2MH)
26	90467-08004-00	CLIP	2	(2MH)
27	6A1-42741-11-00	APRON	1	(2MH)
28	6A1-W0070-14-00	GRAPHIC SET	1	(2MH)
29	6A1-42771-11-00	APRON	1	(2MH)
30	98780-05012-00	SCREW, FLAT HEAD	2	(2MH)
31	90183-05M00-00	NUT, SPRING	2	(2MH)
32	97880-05010-00	SCREW, PAN HEAD	2	(2MH)
33	92990-05600-00	WASHER, PLATE	2	(2MH)
34	97880-06040-00	SCREW, PAN HEAD	2	(2MH)
35	92990-06100-00	WASHER, SPRING	2	(2MH)
36	92990-06600-00	WASHER, PLATE	2	(2MH)
37	97880-06025-00	SCREW, PAN HEAD	2	(2MH)
38	92990-06100-00	WASHER, SPRING	2	(2MH)
39	92990-06600-00	WASHER, PLATE	2	(2MH)
40	6A1-42792-01-00	MARK (100:1)	1	(2MH)

CONTINUED ON NEXT FRAME >



COWLING FUEL

Ref No.	Part Number	Description	Qty	Remarks
41	6A1-41212-01-00	ARM, ACCEL.	1	(2MH)
42	6A1-41211-00-00	LINK, ACCEL.	1	(2MH)
43	92990-05100-00	WASHER, SPRING	1	(2MH)
44	97095-05010-00	BOLT	1	(2MH)
45	6A1-14365-00-00	PIN, CLEVIS	1	(2MH)
46	93430-04003-00	CIRCLIP	1	(2MH)
47	6A1-41637-00-00	KNOB, MAGNETO CONTROL	1	(2MH)
48	98780-03010-00	SCREW, FLAT HEAD	1	(2MH)
49	6A1-41223-00-00	WASHER, LOCK 1	1	(2MH)
50	97885-05025-00	SCREW, PAN HEAD	1	(2MH)
51	90501-12M16-00	SPRING, COMPRESSION	1	(2MH)
52	6A1-82550-02-00	ENGINE STOP SWITCH ASSY	1	(2MH)
53	6A1-82541-00-00	WIRE, LEAD	1	(2MH)
54	95380-08700-00	NUT	1	(2MH)
55	97880-05008-00	SCREW, PAN HEAD	1	(2MH)
56	6A1-82375-11-00	COVER, PLUG CAP	1	(2MH)
57	90183-05M00-00	NUT, SPRING	2	(2MH)
58	97880-05012-00	SCREW, PAN HEAD	2	(2MH)
59	92990-05600-00	WASHER, PLATE	2	(2MH)
60	6A1-83625-41-00	MARK 5	1	(2MH)

6A11110-2010
2msha