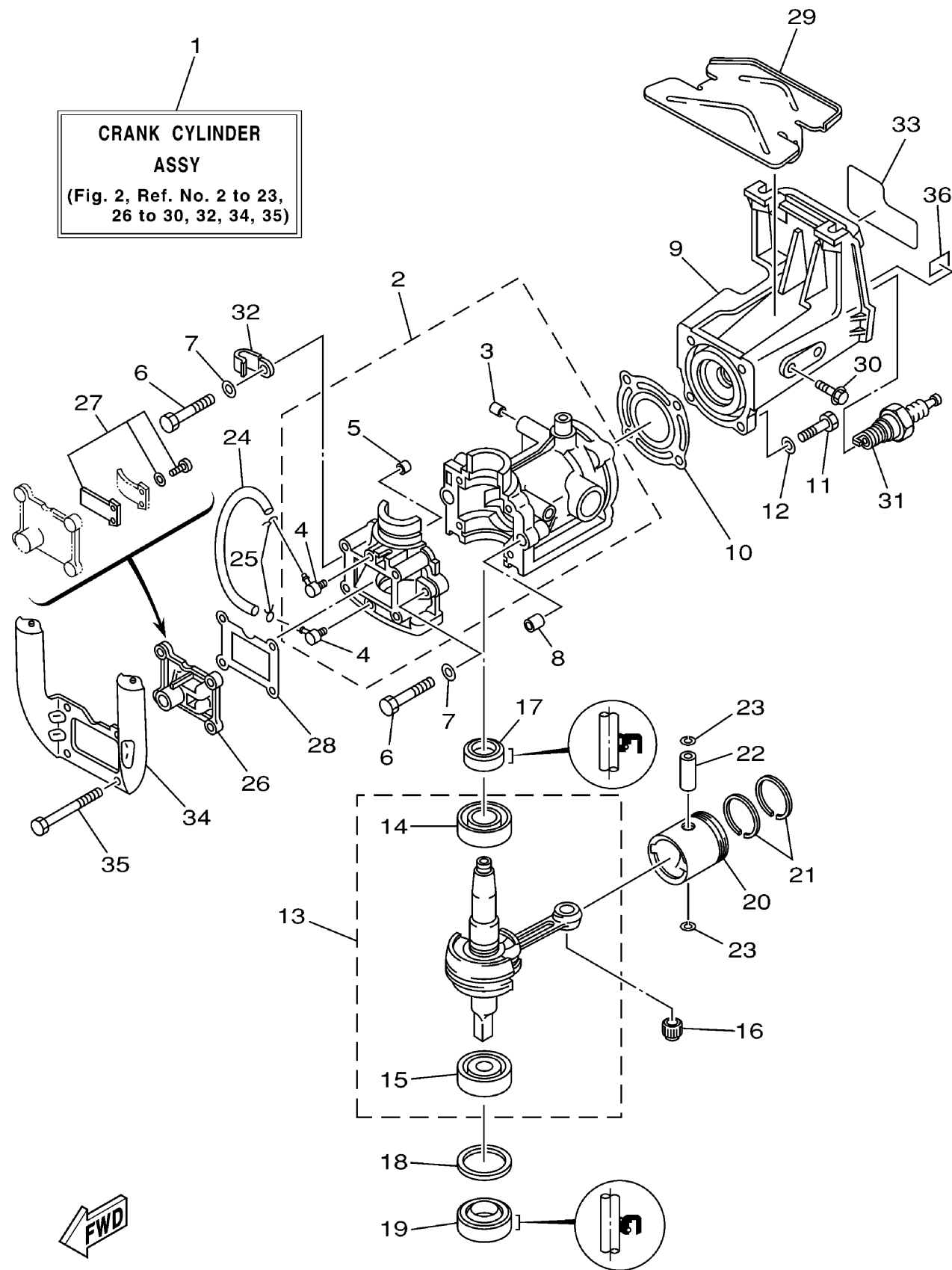


CYLINDER CRANKCASE

Ref No.	Part Number	Description	Qty	Remarks
1	6A1-W0090-13-1S	CRANK CYLINDER ASSY	1	(2MH)
2	6A1-15100-61-1S	CRANKCASE ASSY	1	(2MH)
3	90336-06001-00	. .PLUG, TAPER	1	(2MH)
4	650-14485-02-00	. .PIPE, JOINT	2	(2MH)
5	624-11379-00-00	. .VALVE, CHECK	1	(2MH)
6	97013-06040-00	BOLT	2	(2MH)
7	92903-06600-00	WASHER, PLATE	2	(2MH)
8	99530-10014-00	PIN, DOWEL	2	(2MH)
9	6A1-11111-02-1S	HEAD, CYLINDER 1	1	(2MH)
10	6A1-11181-A1-00	GASKET, CYLINDER HEAD 1	1	(2MH)
11	97095-06025-00	BOLT	4	(2MH)
12	92995-06600-00	WASHER	4	(2MH)
13	6A1-11400-00-00	CRANKSHAFT ASSY	1	(2MH)
14	93306-00409-00	. .BEARING	1	(2MH)
15	93306-30204-00	. .BEARING	1	(2MH)
16	93310-210V1-00	BEARING	1	(2MH)
17	93102-20070-00	OIL SEAL	1	(2MH)
18	90201-35300-00	WASHER, PLATE	1	(2MH)
19	93102-15M32-00	OIL SEAL	1	(2MH)
20	646-11631-01-98	PISTON (STD)	1	(2MH)

CONTINUED ON NEXT FRAME >



CYLINDER CRANKCASE

Ref No.	Part Number	Description	Qty	Remarks
20	646-11636-01-00	PISTON (0.50MM O/S)	1	AP(2MH)
20	646-11635-01-00	PISTON (0.25MM O/S)	1	AP(2MH)
21	646-11601-11-00	PISTON RING SET (0.25MM O/S)	1	AP(2MH)
21	646-11601-21-00	PISTON RING SET (0.50MM O/S)	1	AP(2MH)
21	646-11601-01-00	PISTON RING SET (STD)	1	(2MH)
22	646-11633-00-00	PIN, PISTON	1	(2MH)
23	93450-11021-00	CIRCLIP	2	(2MH)
24	90445-07254-00	HOSE (L118)	1	(2MH)
25	90467-06016-00	CLIP	2	(2MH)
26	6A1-13610-00-00	REED VALVE ASSY	1	(2MH)
27	6A1-W0004-00-00	. . REED SET	1	(2MH)
28	6A1-13621-A0-00	GASKET, VALVE SEAT	1	(2MH)
29	6A1-24141-00-00	PROTECTOR, FUEL TANK	1	(2MH)
30	95895-06010-00	BOLT, FLANGE	2	(2MH)
31	NGK-B5HS0-00-00	PLUG, SPARK (NGK B5HS)	1	(2MH)
32	90465-06M86-00	CLAMP	1	(2MH)
33	6A1-42678-12-00	GRAPHIC, REAR	1	(2MH)
34	6A1-15771-01-00	STAY 1	1	(2MH)
35	97013-06060-00	BOLT	4	(2MH)
36	678-42791-00-00	MARK 1	1	(2MH)