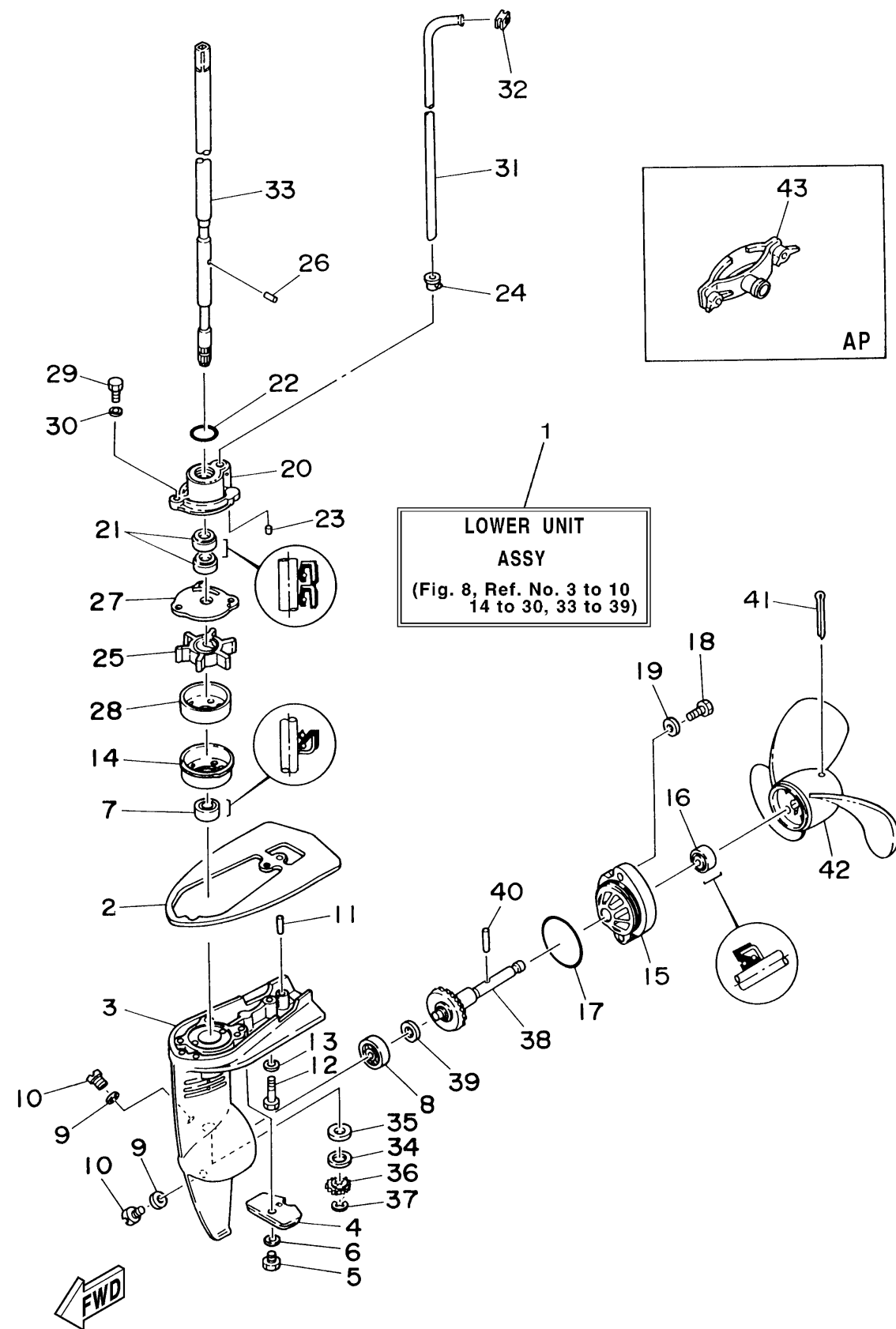


LOWER CASING DRIVE

Ref No.	Part Number	Description	Qty	Remarks
1	6A1-45300-03-4D	LOWER UNIT ASSY	1	(2MH)
2	6A1-45181-00-4D	PLATE	1	(2MH)
3	6A1-45311-02-4D	CASING, LOWER	1	(2MH)
4	6L5-45251-02-00	ANODE	1	(2MH)
5	95895-06012-00	BOLT, FLANGE	1	(2MH)
6	92990-06300-00	WASHER, INTERNAL TOOTH	1	(2MH)
7	93103-11051-00	OIL SEAL	1	(2MH)
8	93306-00001-00	..BEARING	1	(2MH)
9	90430-08020-00	.GASKET	2	(2MH)
10	90340-08M04-00	PLUG, STRAIGHT SCREW	2	(2MH)
11	93605-18M04-00	PIN, DOWEL	2	(2MH)
12	97095-06030-00	BOLT	1	(2MH)
13	92995-06600-00	WASHER	1	(2MH)
14	6A1-44325-00-00	PROTECTOR, OIL SEAL	1	(2MH)
15	6A1-45361-01-4D	CAP, LOWER CASING	1	(2MH)
16	93103-10052-00	OIL SEAL	1	(2MH)
17	93210-42101-00	O-RING	1	(2MH)
18	97090-06014-00	.BOLT	2	(2MH)
19	92990-06600-00	WASHER, PLATE	2	(2MH)
20	6A1-44312-01-94	COVER, WATER PUMP HOUSING	1	(2MH)

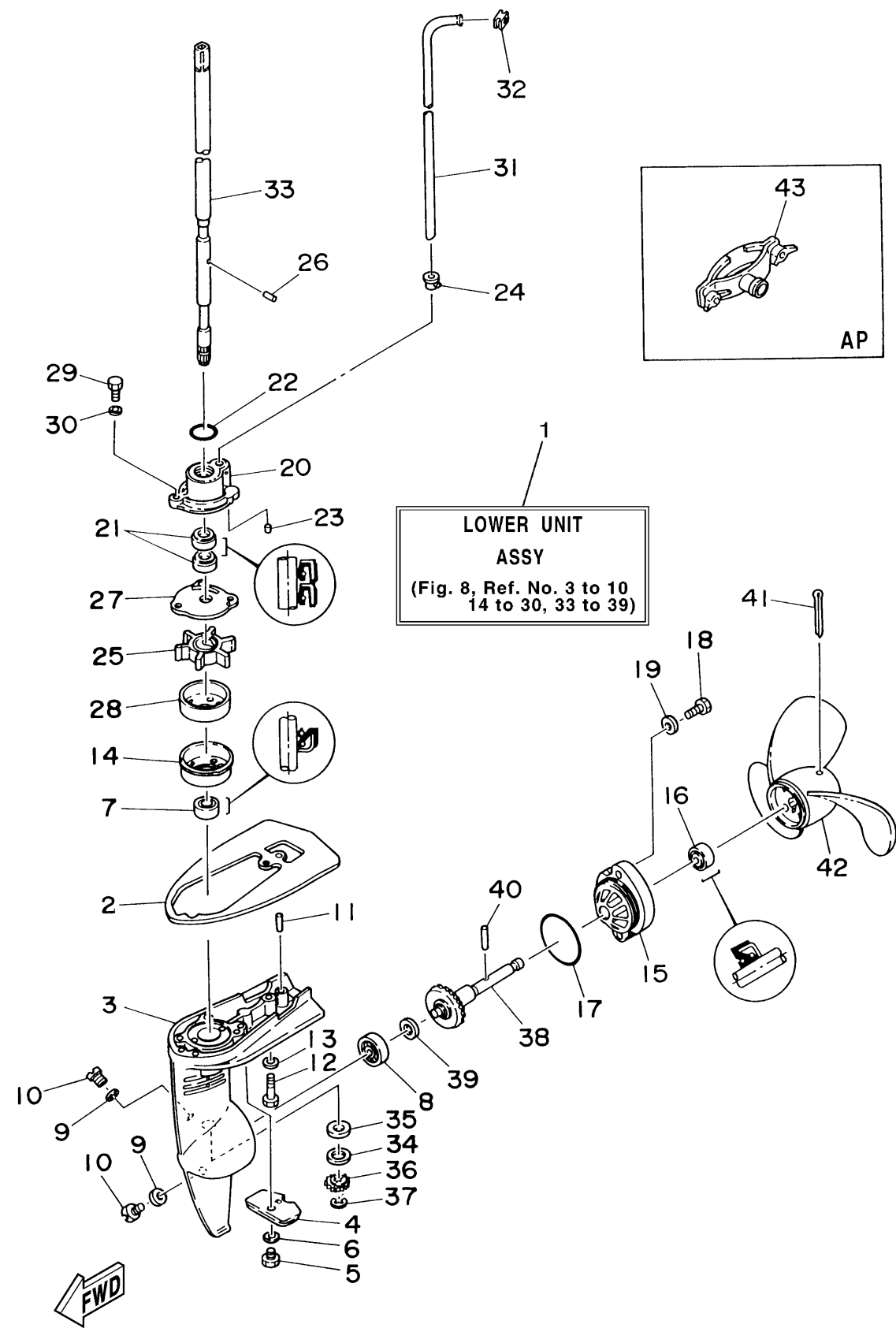
CONTINUED ON NEXT FRAME >



LOWER CASING DRIVE

Ref No.	Part Number	Description	Qty	Remarks
21	93101-11M44-00	OIL SEAL	2	(2MH)
22	93210-19123-00	O-RING	1	(2MH)
23	93604-09068-00	PIN, DOWEL	2	(2MH)
24	646-44366-01-00	.DAMPER, WATER SEAL	1	(2MH)
25	646-44352-01-00	IMPELLER	1	(2MH)
26	93604-09066-00	PIN, DOWEL	1	(2MH)
27	646-44323-00-00	OUTER PLATE, CARTRIDGE	1	(2MH)
28	646-44322-00-00	INSERT, CARTRIDGE	1	(2MH)
29	97095-05016-00	.BOLT	2	(2MH)
30	92995-05600-00	.WASHER	2	(2MH)
31	6A1-44361-00-00	TUBE, WATER	1	(2MH)
32	646-44365-00-00	DAMPER, WATER SEAL	1	(2MH)
33	6A1-45510-01-00	DRIVE SHAFT ASSY	1	(2MH)
34	90201-11M49-00	WASHER, PLATE	1	(2MH)
35	646-45534-00-04	SHIM (T:0.40MM)	1	UR(2MH)
35	646-45534-00-03	SHIM (T:0.30MM)	1	UR(2MH)
35	646-45534-00-05	SHIM (T:0.50MM)	1	UR(2MH)
36	646-45551-00-00	PINION	1	(2MH)
37	93430-06005-00	CIRCLIP	1	(2MH)
38	646-45560-00-00	GEAR	1	(2MH)

CONTINUED ON NEXT FRAME >



LOWER CASING DRIVE

Ref No.	Part Number	Description	Qty	Remarks
39	646-45567-00-03	SHIM (T:0.30MM)	1	UR(2MH)
39	646-45567-00-05	SHIM (T:0.50MM)	1	UR(2MH)
39	646-45567-00-04	SHIM (T:0.40MM)	1	UR(2MH)
40	90250-03M10-00	PIN, STRAIGHT	1	(2MH)
41	91490-30040-00	PIN, COTTER	1	(2MH)
42	646-45942-01-EL	PROPELLER, ALUMINUM (5-1/2 X 7-1/4"- A)	1	UR(2MH)
42	6A1-45943-00-00	PROPELLER (PLASTIC 4 X 7-1/4"-A)	1	(2MH)
42	646-45944-01-EL	PROPELLER, ALUMINUM (4-1/2 X 7-1/4"- A)	1	UR(2MH)
43	646-28193-00-00	PLUG, WATER CHECK	1	AP(2MH)