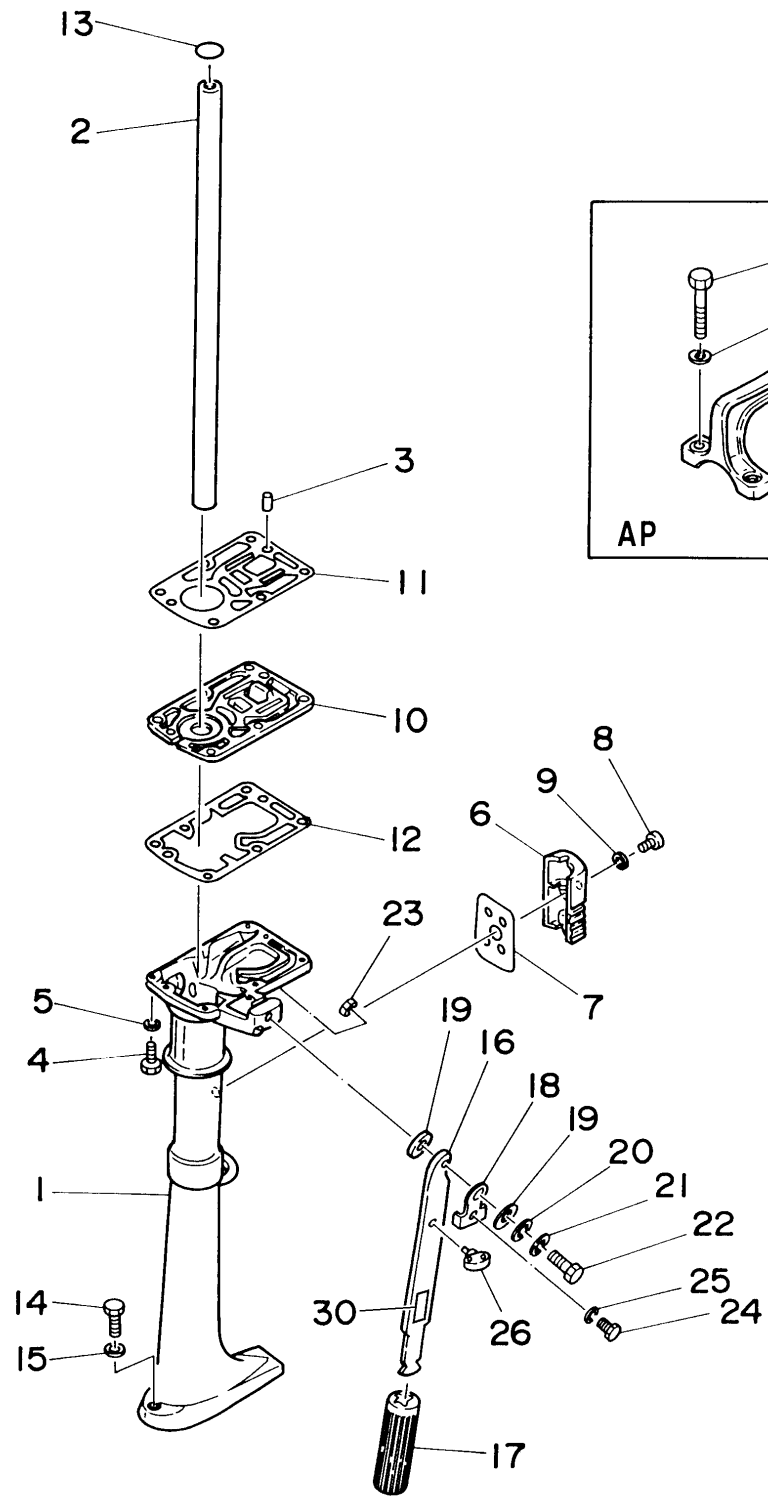


UPPER CASING

Ref No.	Part Number	Description	Qty	Remarks
1	6A1-45111-02-4D	CASING, UPPER	1	(2MH)
2	6A1-45113-00-00	GASKET, UPPER CASING	1	(2MH)
3	93605-15065-00	PIN, DOWEL	2	(2MH)
4	97095-06025-00	BOLT	6	(2MH)
5	92995-06600-00	WASHER	6	(2MH)
6	6A1-45151-00-00	COVER, UPPER CASING	1	(2MH)
7	6A1-45115-00-00	GASKET, UPPER CASING	1	(2MH)
8	97880-06016-00	SCREW, PAN HEAD	1	(2MH)
9	92990-06600-00	WASHER, PLATE	1	(2MH)
10	6A1-41137-00-5B	GUIDE, EXHAUST	1	(2MH)
11	6A1-14613-A0-00	GASKET, EXHAUST PIPE	1	(2MH)
12	646-14623-A1-00	GASKET, EXHAUST PIPE	1	(2MH)
13	93210-19123-00	O-RING	1	(2MH)
14	97095-06030-00	BOLT	1	(2MH)
15	92995-06600-00	WASHER	1	(2MH)
16	6A1-42111-00-4D	HANDLE, STEERING	1	(2MH)
17	646-42119-02-00	GRIP, STEERING HANDLE	1	(2MH)
18	6A1-42181-00-00	WASHER	1	(2MH)
19	90201-09117-00	WASHER, PLATE	2	(2MH)
20	92990-08200-00	WASHER, PLAIN	1	(2MH)

CONTINUED ON NEXT FRAME >





UPPER CASING

Ref No.	Part Number	Description	Qty	Remarks
21	92990-08100-00	WASHER, SPRING	1	(2MH)
22	90101-08M11-00	BOLT	1	(2MH)
23	95380-08600-00	NUT	1	(2MH)
24	97095-06010-00	BOLT	1	(2MH)
25	92995-06100-00	WASHER, SPRING	1	(2MH)
26	646-42591-00-00	HOLDER, SHEAR PIN	1	(2MH)
27	646-42121-00-94	BRACKET	1	AP(2MH)
28	97095-06055-00	BOLT	2	AP(2MH)
29	92990-06100-00	WASHER, SPRING	2	AP(2MH)
30	6A1-2415A-41-00	LABEL, CAUTION	1	(2MH)

