

UPPER CASING BRACKET

Ref No.	Part Number	Description	Qty	Remarks
1	6L5-45111-02-4D	CASING, UPPER	1	(3MH)
2	93604-12M07-00	PIN, DOWEL	2	(3MH)
3	97095-06030-00	BOLT	6	(3MH)
4	92995-06600-00	WASHER	6	(3MH)
5	93700-06M03-00	NIPPLE, GREASE	1	(3MH)
6	6L5-45152-00-00	COVER, UPPER CASING 2	1	(3MH)
7	6L5-45115-A0-00	GASKET, UPPER CASING	1	(3MH)
8	90149-05M08-00	SCREW	1	(3MH)
9	647-45151-01-00	COVER, UPPER CASING	1	(3MH)
10	6L5-43111-01-4D	BRACKET, CLAMP	1	(3MH)
11	6L5-43112-00-4D	BRACKET, CLAMP	1	(3MH)
12	620-43114-00-00	PAD, TRANSOM CLAMP	2	(3MH)
13	6E0-43116-01-00	SCREW, TRANSOM CLAMP	2	(3MH)
14	6E0-43118-01-00	HANDLE, TRANSOM CLAMP	2	(3MH)
15	90243-04M01-00	PIN	2	(3MH)
16	90101-08M10-00	BOLT	1	(3MH)
17	6G1-43136-00-00	PIECE, FRICTION	2	(3MH)
18	6L5-42121-00-00	BRACKET	1	(3MH)
19	90508-16M30-00	SPRING, TORSION	1	(3MH)
20	90185-08057-00	NUT, SELF-LOCKING	1	(3MH)

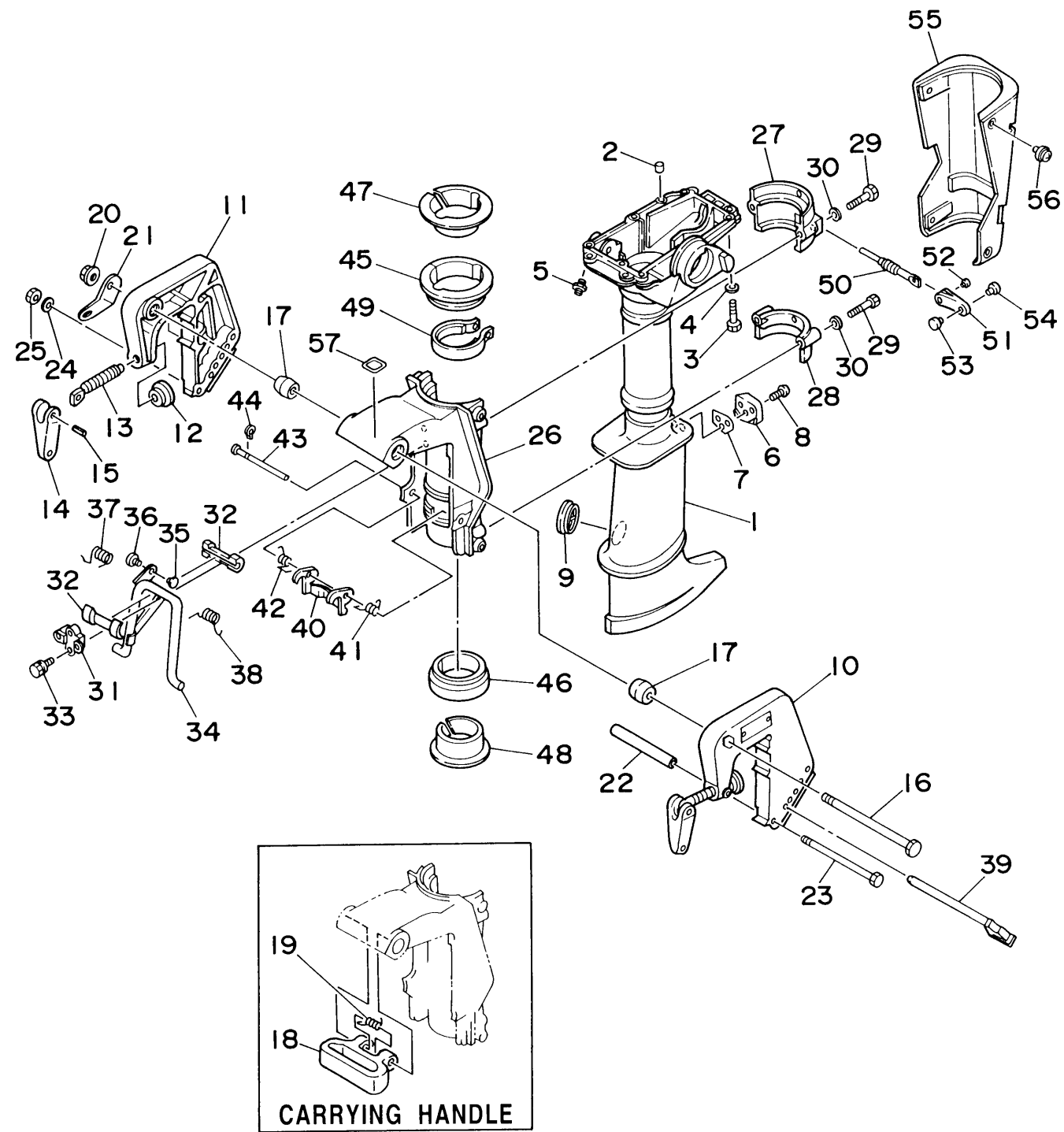
CONTINUED ON NEXT FRAME >



6L51110-2080

3msha

B8



UPPER CASING BRACKET

Ref No.	Part Number	Description	Qty	Remarks
21	6A1-43113-01-00	PLATE, CLAMP BRACKET	1	(3MH)
22	90387-06M11-00	COLLAR	1	(3MH)
23	90101-06335-00	BOLT	1	(3MH)
24	92990-06600-00	WASHER, PLATE	1	(3MH)
25	95380-06600-00	NUT, HEXAGON	1	(3MH)
26	6L5-43311-01-4D	BRACKET, SWIVEL 1	1	(3MH)
27	6L5-44511-00-4D	COVER, UPPER MOUNT	1	(3MH)
28	6L5-44553-00-4D	COVER, LOWER MOUNT	1	(3MH)
29	97095-06035-00	BOLT	4	(3MH)
30	92995-06600-00	WASHER	4	(3MH)
31	6E0-43313-00-4D	BRACKET, SWIVEL 3	1	(3MH)
32	620-43189-00-00	BUSHING	2	(3MH)
33	95895-06020-00	BOLT, FLANGE	2	(3MH)
34	6L5-43181-00-00	LEVER, TILT STOP	1	(3MH)
35	6L5-44196-00-00	INDICATOR 3	1	(3MH)
36	6L5-44197-00-00	INDICATOR 4	1	(3MH)
37	90508-16020-00	SPRING, TORSION	1	(3MH)
38	90508-16021-00	SPRING, TORSION	1	(3MH)
39	6L5-43160-00-00	TILT ROD ASSY	1	(3MH)
40	6L5-43614-00-00	PLATE, TILT LOCK	1	(3MH)

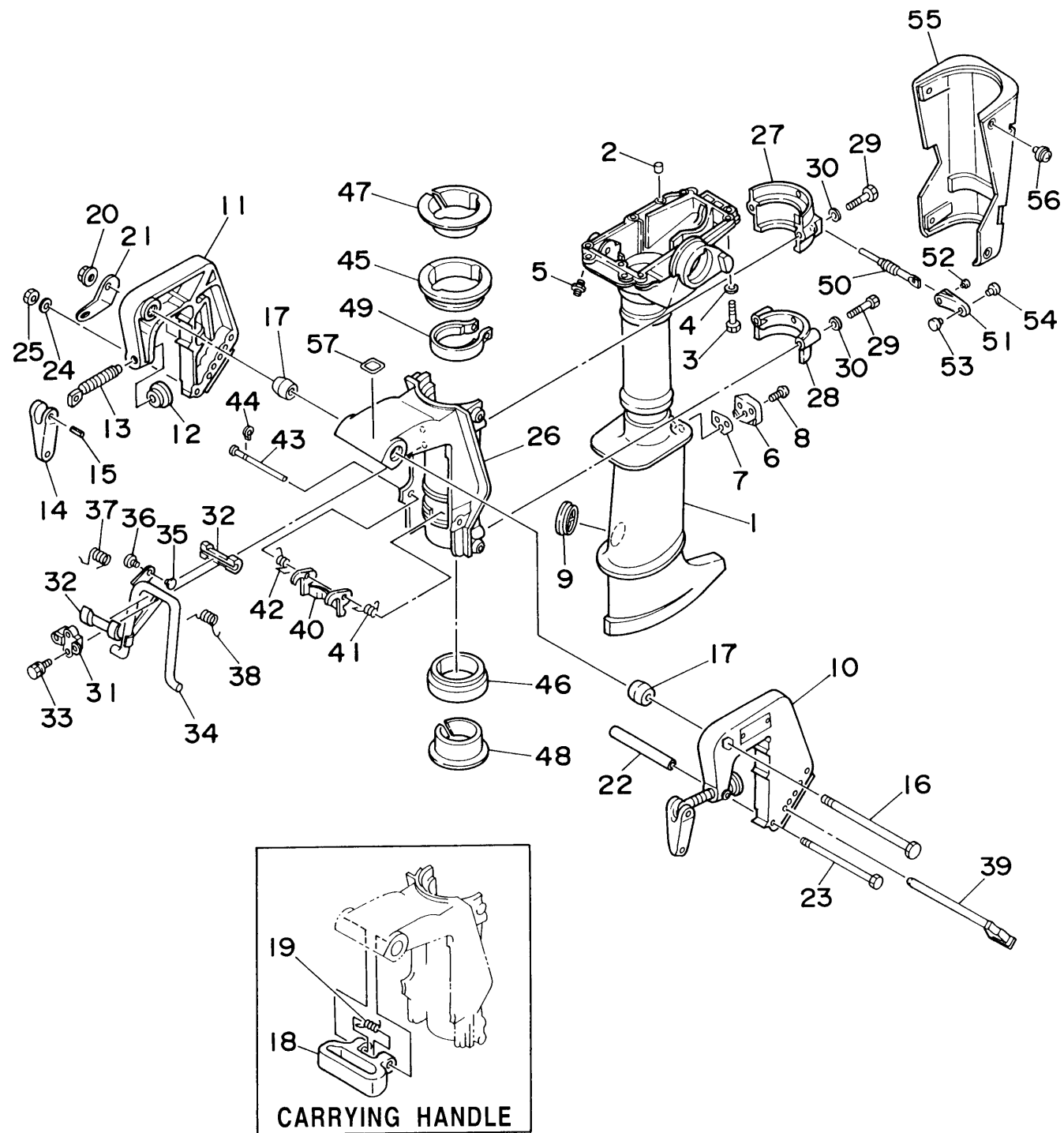
CONTINUED ON NEXT FRAME >



6L51110-2080

3msha

B9



UPPER CASING BRACKET

Ref No.	Part Number	Description	Qty	Remarks
41	90508-08M26-00	SPRING, TORSION	1	(3MH)
42	90508-08M27-00	SPRING, TORSION	1	(3MH)
43	6L5-43659-00-00	SHAFT, REVERSE LOCK	1	(3MH)
44	99080-05600-00	CIRCLIP	1	(3MH)
45	6L5-42537-00-00	BUSHING, PIVOT SHAFT	1	(3MH)
46	6L5-42538-00-00	BUSHING, PIVOT SHAFT	1	(3MH)
47	6L5-42539-00-00	BUSHING, PIVOT SHAFT	1	(3MH)
48	6L5-42549-00-00	BUSHING, PIVOT SHAFT	1	(3MH)
49	6E0-42528-03-00	PLATE, FRICTION	1	(3MH)
50	6L5-42529-01-00	SCREW, FRICTION PIECE	1	(3MH)
51	6L5-42561-00-00	KNOB, STEERING LOCK	1	(3MH)
52	90266-04M05-00	RIVET	1	(3MH)
53	6L5-44196-00-00	INDICATOR 3	1	(3MH)
54	6L5-44197-00-00	INDICATOR 4	1	(3MH)
55	6L5-43318-11-00	COVER	1	(3MH)
56	90159-06M10-00	SCREW, WITH WASHER	4	(3MH)
57	6A1-42792-01-00	MARK (100:1)	1	(3MH)



6L51110-2080

3msha

B10