

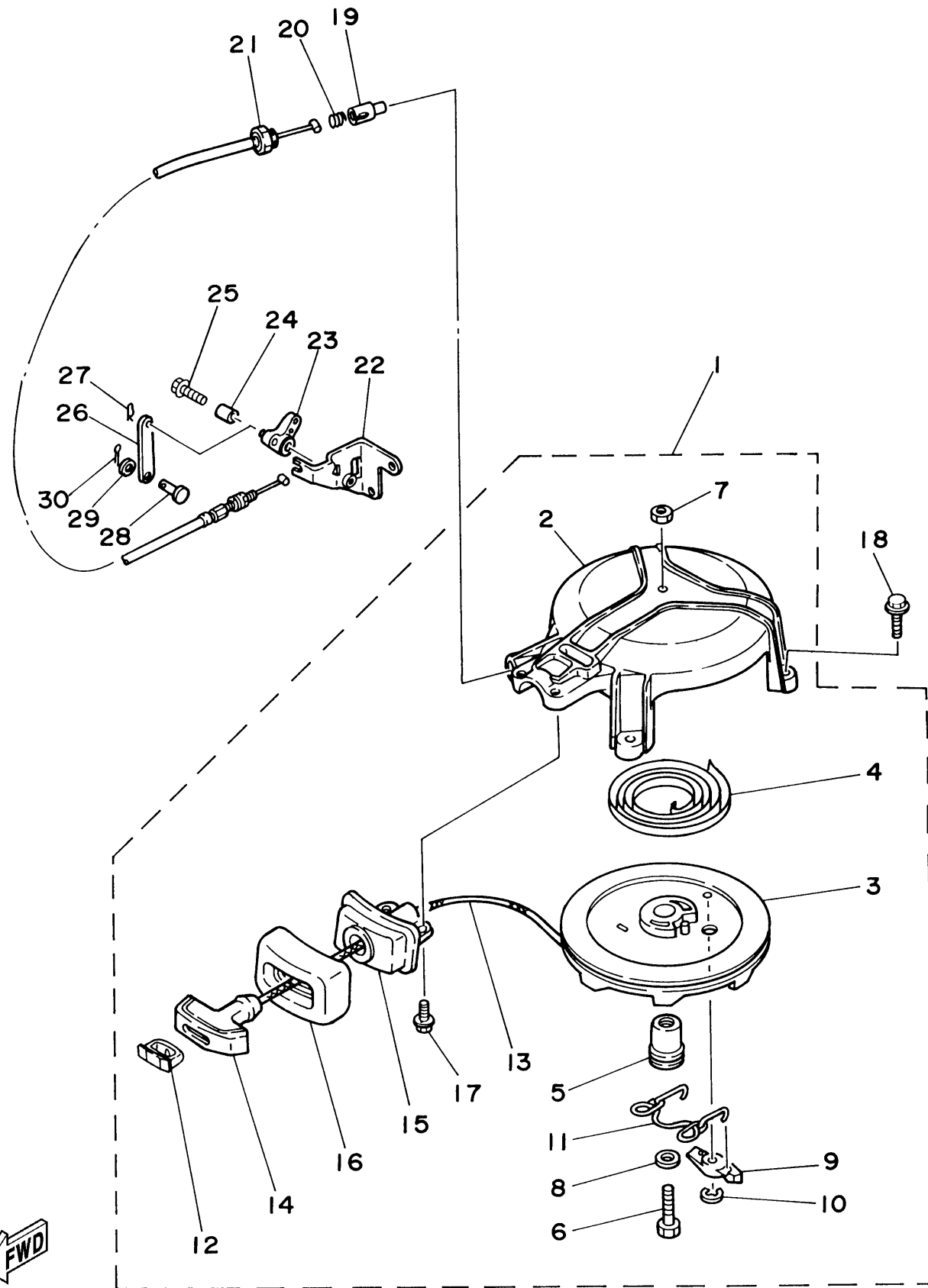
# STARTER

Ref No.	Part Number	Description	Qty	Remarks
1	6E4-15710-73-94	STARTER ASSY	1	(5MH)
2	6E4-15711-71-94	..CASE, STARTER	1	(5MH)
3	6E0-15714-01-00	..DRUM, SHEAVE	1	(5MH)
4	90510-08M03-00	..SPRING, SPIRAL	1	(5MH)
5	6E0-15717-00-00	..SHAFT, STARTER	1	(5MH)
6	97313-06035-00	..BOLT	1	(5MH)
7	95303-06600-00	..NUT	1	(5MH)
8	90201-06M30-00	..WASHER, PLATE	1	(5MH)
9	677-15741-01-00	..PAWL, DRIVE	1	(5MH)
10	93430-06M02-00	..CIRCLIP	1	(5MH)
11	6E0-15705-00-00	..SPRING, DRIVE PAWL	1	(5MH)
12	6G1-15779-00-00	..COVER	1	(5MH)
13	90580-50M01-00	..STARTER ROPE	1	(5MH)
14	6G1-15755-00-00	..HANDLE, STARTER	1	(5MH)
15	6E3-15758-01-00	..GUIDE, ROPE	1	(5MH)
16	6E0-15761-00-00	..SEAL, RUBBER 1	1	(5MH)
17	90105-06M14-00	..BOLT FLANGE	2	(5MH)
18	95895-06020-00	BOLT, FLANGE	3	(5MH)
19	656-15748-00-00	PLUNGER, STARTER STOP	1	(5MH)
20	90501-10227-00	SPRING, COMPRESSION	1	(5MH)

CONTINUED ON NEXT FRAME >



6E00010-4040  
5msha



# STARTER

Ref No.	Part Number	Description	Qty	Remarks
21	6E4-15770-70-00	CABLE COMP., STARTER STOP	1	(5MH)
22	6E4-15772-71-00	STAY 2	1	(5MH)
23	6E4-15746-70-00	ARM	1	(5MH)
24	90387-06504-00	COLLAR	1	(5MH)
25	90119-06M18-00	BOLT, WITH WASHER	1	(5MH)
26	6E4-15747-70-00	LINK	1	(5MH)
27	90468-10005-00	CLIP	1	(5MH)
28	91790-05010-00	PIN, CLEVIS	1	(5MH)
29	90202-05088-00	WASHER, PLATE	1	(5MH)
30	91490-16010-00	PIN. COTTER	1	(5MH)

6E00010-4040  
5msha