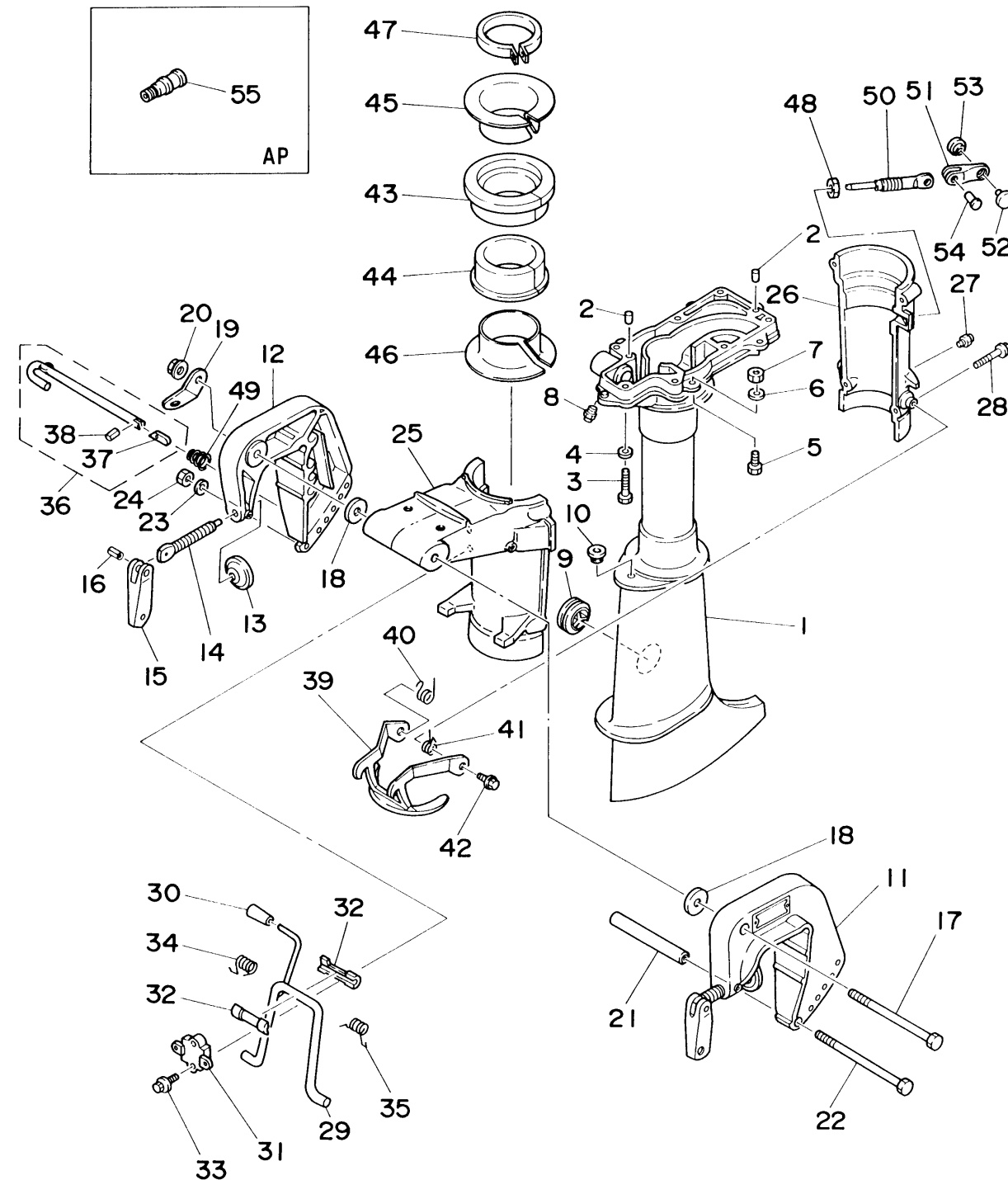


UPPER CASING BRACKET



Ref No.	Part Number	Description	Qty	Remarks
1	6E0-45111-02-4D	CASING, UPPER	1	S(5MH)
2	93606-12019-00	PIN, DOWEL	2	(5MH)
3	97095-06030-00	BOLT	7	(5MH)
4	92995-06600-00	WASHER	7	(5MH)
5	97095-06016-00	BOLT	4	(5MH)
6	92995-06600-00	WASHER	4	(5MH)
7	95380-06700-00	NUT	4	(5MH)
8	93700-06M03-00	NIPPLE, GREASE	1	(5MH)
9	647-45151-01-00	COVER, UPPER CASING	1	(5MH)
10	90480-10M13-00	GROMMET	1	(5MH)
11	6E0-43111-02-4D	BRACKET, CLAMP	1	(5MH)
12	6E0-43112-01-4D	BRACKET, CLAMP	1	(5MH)
13	620-43114-00-00	PAD, TRANSOM CLAMP	2	(5MH)
14	6E0-43116-01-00	SCREW, TRANSOM CLAMP	2	(5MH)
15	6E0-43118-01-00	HANDLE, TRANSOM CLAMP	2	(5MH)
16	90243-04M01-00	PIN	2	(5MH)
17	90101-08M07-00	BOLT	1	(5MH)
18	90201-08M03-00	WASHER, PLATE	2	(5MH)
19	6A1-43113-01-00	PLATE, CLAMP BRACKET	1	(5MH)
20	90185-08057-00	NUT, SELF-LOCKING	1	(5MH)

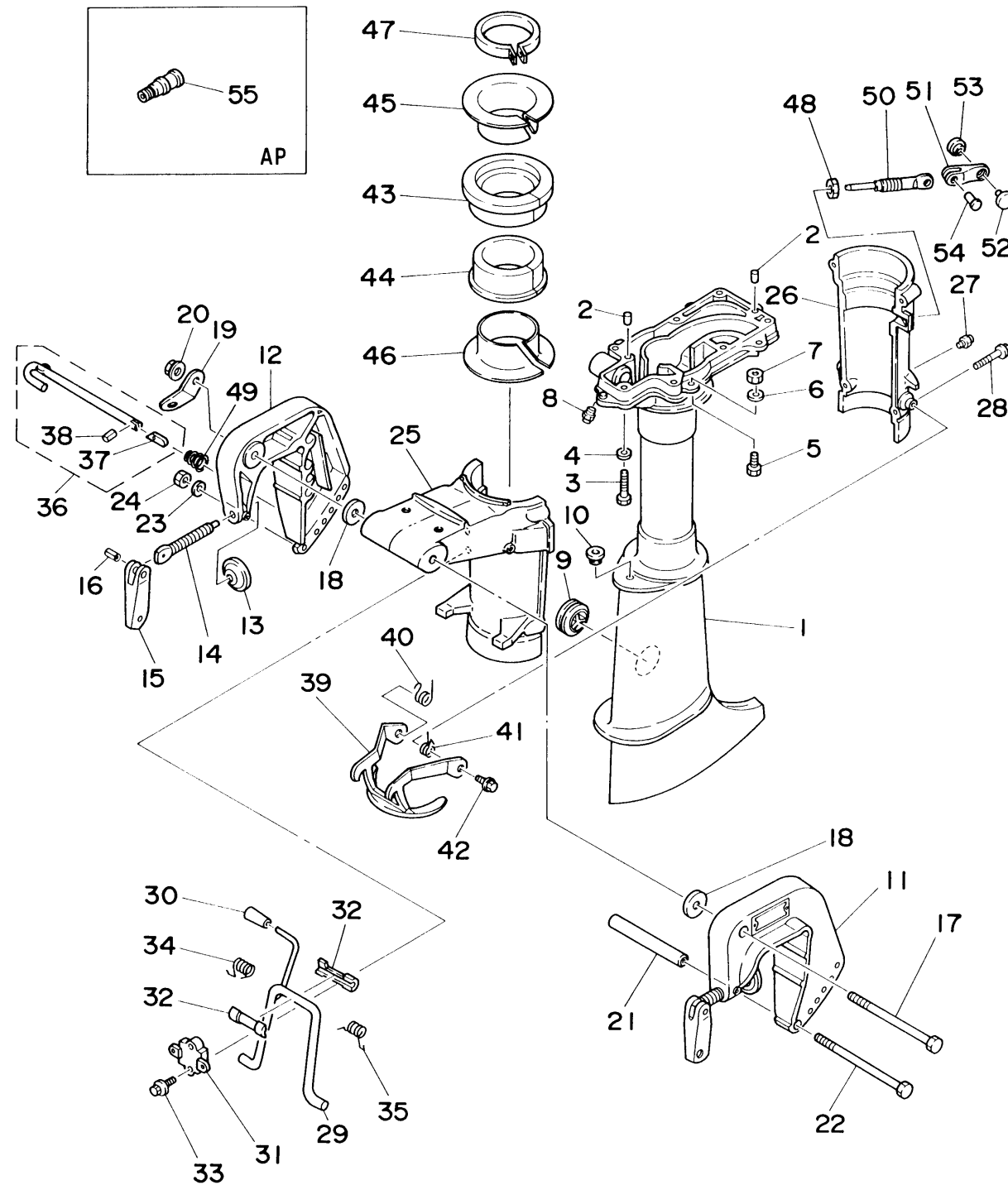
CONTINUED ON NEXT FRAME >



6E00010-4090
5msha

B10

UPPER CASING BRACKET



Ref No.	Part Number	Description	Qty	Remarks
41	90508-14M11-00	SPRING, TORSION	1	(5MH)
42	95895-06010-00	BOLT, FLANGE	2	(5MH)
43	6E0-42537-02-00	BUSHING, PIVOT SHAFT	1	(5MH)
44	6E0-42538-02-00	BUSHING, PIVOT SHAFT	1	(5MH)
45	6E0-42539-00-00	BUSHING, PIVOT SHAFT	1	(5MH)
46	6E0-42549-00-00	BUSHING, PIVOT SHAFT	1	(5MH)
47	6E0-42528-03-00	PLATE, FRICTION	1	(5MH)
48	95380-08600-00	NUT	1	(5MH)
49	90502-08M05-00	SPRING, CONICAL	1	(5MH)
50	6L5-42529-01-00	SCREW, FRICTION PIECE	1	(5MH)
51	6L5-42561-00-00	KNOB, STEERING LOCK	1	(5MH)
52	6L5-44196-00-00	INDICATOR 3	1	(5MH)
53	6L5-44197-00-00	INDICATOR 4	1	(5MH)
54	90266-04M05-00	RIVET	1	(5MH)
55	626-28193-01-94	PLUG, WATER CHECK	1	AP D:15MM(5MH)



6E00010-4090
5msha