

BOTTOM COWLING

Ref No.	Part Number	Description	Qty	Remarks
1	6N0-G2711-00-4D	COWLING, BOTTOM 1	1	(8MH)
2	6N0-G2815-00-4D	LEVER, CLAMP	1	(8MH)
3	90386-12M45-00	BUSH	2	(8MH)
4	6E0-42816-00-00	LEVER, CLAMP	1	(8MH)
5	90206-12052-00	WASHER, WAVE	1	(8MH)
6	97885-06030-00	SCREW, PAN HEAD	1	(8MH)
7	95380-06700-00	NUT	1	(8MH)
8	6N0-G2719-80-00	PANEL, FRONT LOWER	1	(8MH)
9	6N0-G2767-00-00	BRACKET	1	(8MH)
10	90149-05M02-00	SCREW	3	(8MH)
11	95380-05700-00	NUT	1	(8MH)
12	6G1-42724-00-00	GROMMET	1	(8MH)
13	6G1-42725-00-00	GROMMET	1	(8MH)
14	6G1-42726-00-00	GROMMET	1	(8MH)
15	6G1-42727-00-00	GROMMET	1	(8MH)
16	6G1-42748-00-00	GROMMET	1	(8MH)
17	6G1-26326-00-00	GROMMET	1	(8MH)
18	90480-15M31-00	GROMMET	4	(8MH)
19	90387-06M52-00	COLLAR	4	(8MH)
20	95895-06020-00	BOLT, FLANGE	4	(8MH)

CONTINUED ON NEXT FRAME >

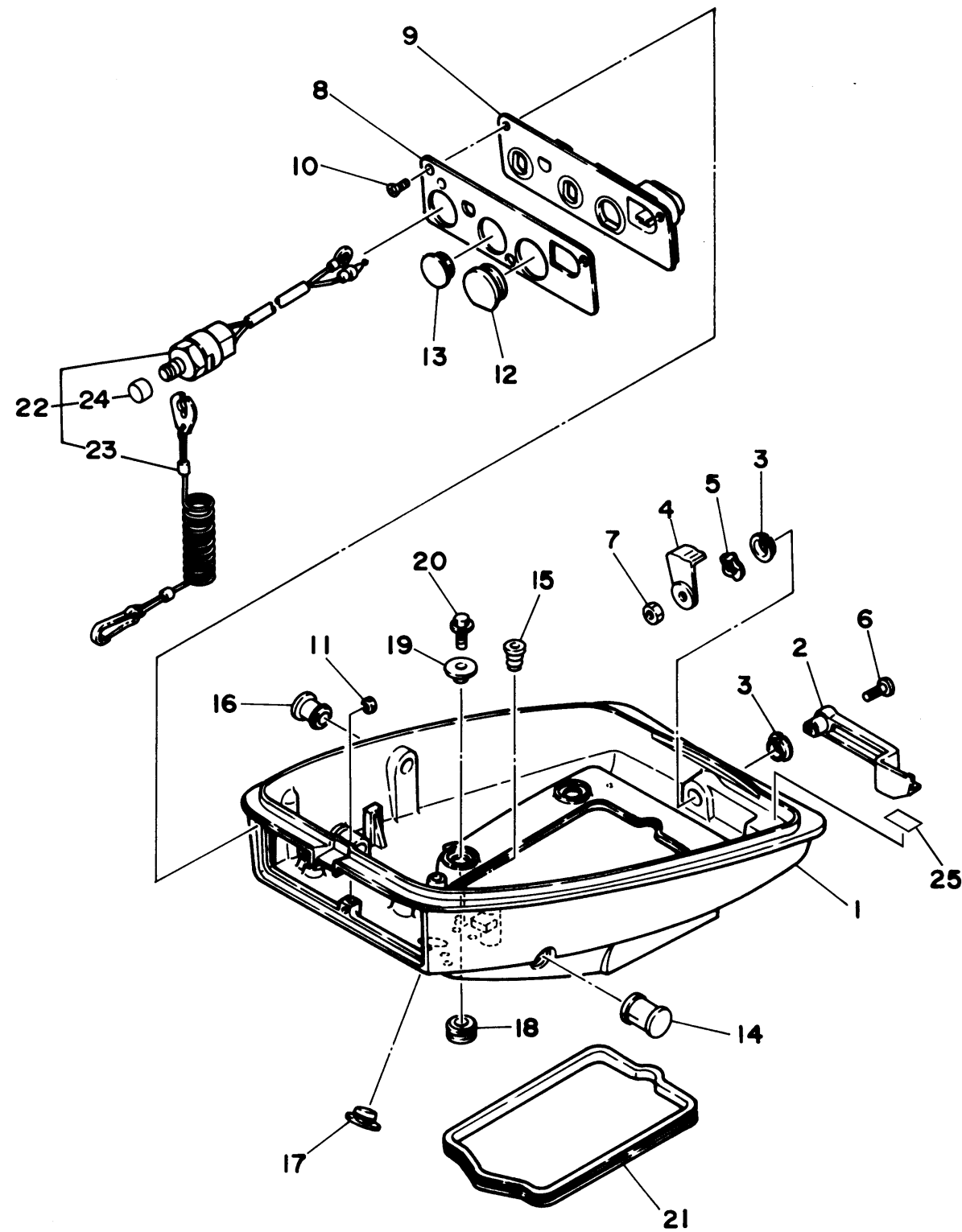


6M81100-2110

8msha

B6

BOTTOM COWLING



Ref No.	Part Number	Description	Qty	Remarks
21	6N0-G2716-00-00	RUBBER, SEAL 1	1	(8MH)
22	6E9-82575-02-00	ENGINE STOP SWITCH ASSY	1	(8MH)
23	682-82556-00-00	. .LANYARD, STOP SWITCH	1	(8MH)
24	689-8257Y-00-00	. .CAP	1	(8MH)
25	6E7-42791-00-00	MARK 1	1	(8MH)



6M81100-2110

8msha

B7