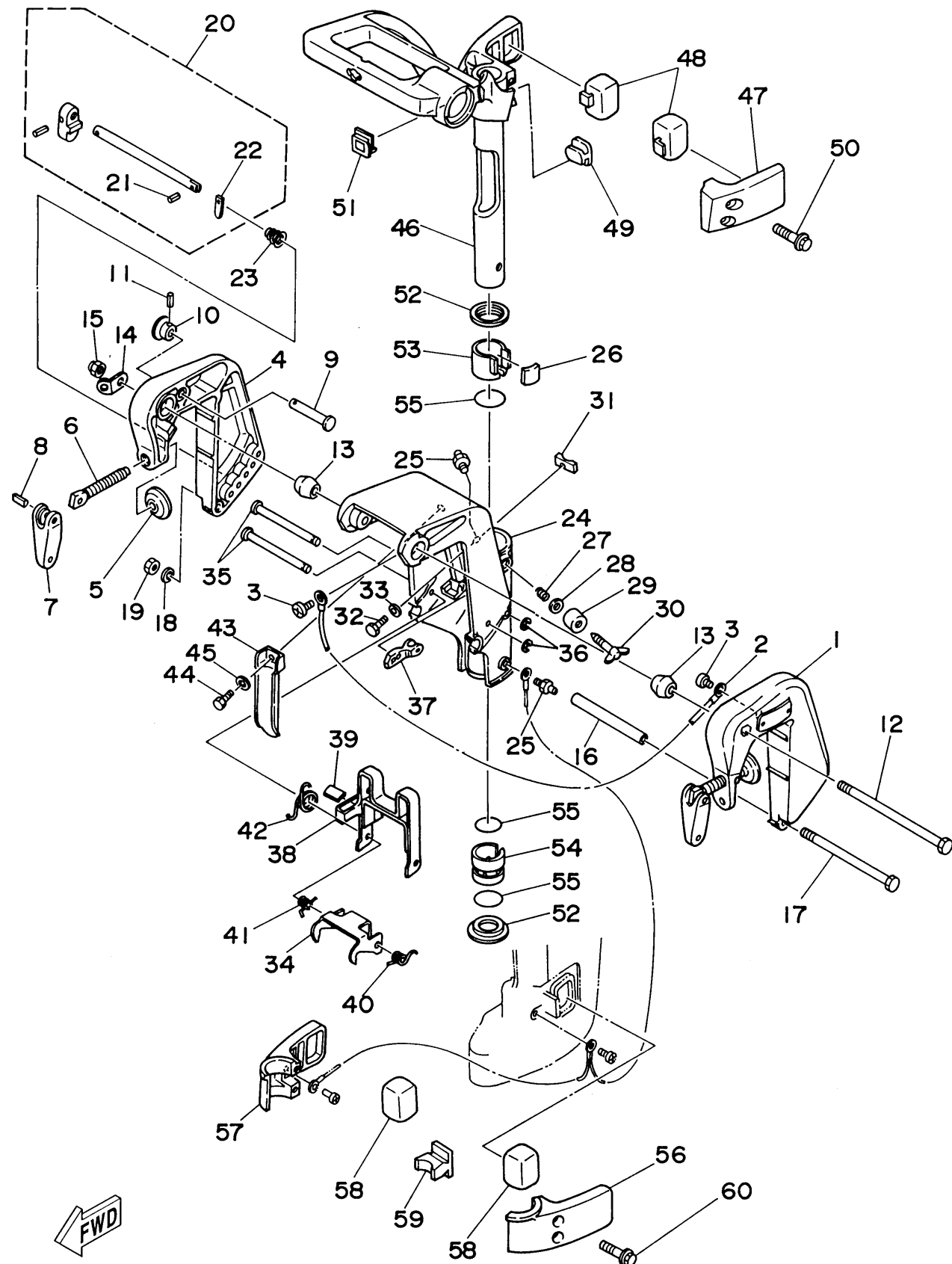


BRACKET

Ref No.	Part Number	Description	Qty	Remarks
1	6M8-G3111-02-4D	BRACKET, CLAMP 1	1	(8MH)
2	6E5-82148-00-00	WIRE, LEAD 4	1	(8MH)
3	97885-06008-00	SCREW, PAN HEAD	2	(8MH)
4	6M8-G3112-01-4D	BRACKET, CLAMP 2	1	(8MH)
5	620-43114-00-00	PAD, TRANSOM CLAMP	2	(8MH)
6	6N0-G3116-00-00	SCREW, TRANSOM CLAMP	2	(8MH)
7	6L8-G3118-01-00	HANDLE, TRANSOM CLAMP	2	(8MH)
8	90243-04M01-00	PIN	2	(8MH)
9	689-43191-00-00	SHAFT, STOPPER	1	(8MH)
10	689-43192-01-00	KNOB, STOPPER	1	(8MH)
11	91690-30016-00	PIN, SPRING	1	(8MH)
12	90101-08869-00	BOLT	1	(8MH)
13	6N0-G3136-00-00	PIECE, FRICTION	2	(8MH)
14	6A1-43113-01-00	PLATE, CLAMP BRACKET	1	(8MH)
15	90185-08057-00	NUT, SELF-LOCKING	1	(8MH)
16	90387-06M13-00	COLLAR	1	(8MH)
17	97095-06135-00	BOLT	1	(8MH)
18	92990-06600-00	.WASHER, PLATE	1	(8MH)
19	95380-06600-00	NUT, HEXAGON	1	(8MH)
20	6N0-G3160-00-00	TILT ROD ASSY	1	(8MH)

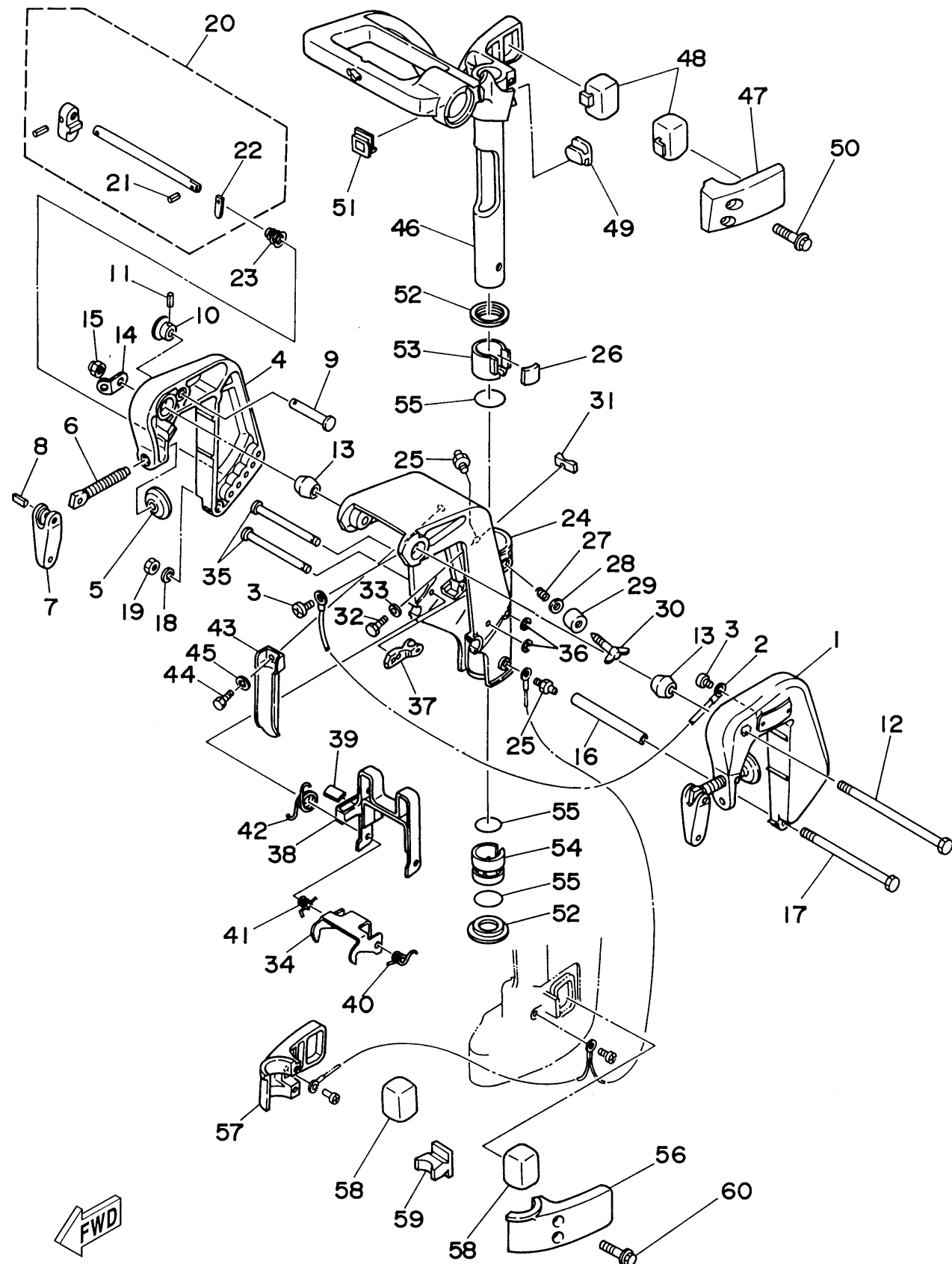
CONTINUED ON NEXT FRAME >



BRACKET

Ref No.	Part Number	Description	Qty	Remarks
21	91690-30008-00	..PIN, SPRING	1	(8MH)
22	6N0-G3165-00-00	..PLATE, TILT LOCK	1	(8MH)
23	90502-10M06-00	SPRING, CONICAL	1	(8MH)
24	6N0-G3311-10-4D	BRACKET, SWIVEL 1	1	(8MH)
25	93700-06M03-00	NIPPLE, GREASE	2	(8MH)
26	6G1-42528-00-00	PLATE, FRICTION	1	(8MH)
27	90501-18M00-00	SPRING, COMPRESSION	1	(8MH)
28	92990-08600-00	WASHER, PLATE	1	(8MH)
29	6G1-43373-00-00	SEAL, DAMPER	1	(8MH)
30	6G1-42529-00-00	SCREW, FRICTION PIECE	1	(8MH)
31	6G1-44532-01-00	STOPPER, UPPER MOUNT	1	(8MH)
32	97095-06010-00	BOLT	1	(8MH)
33	92995-06600-00	WASHER	1	(8MH)
34	6N0-G3614-00-00	PLATE, TILT LOCK	1	(8MH)
35	6G1-43659-00-00	SHAFT, REVERSE LOCK	2	(8MH)
36	99080-05600-00	CIRCLIP	2	(8MH)
37	6G1-43615-01-00	PLATE, TILT LOCK	1	(8MH)
38	6G1-43681-00-00	LEVER, SHALLOW WATER DRIVE 1	1	(8MH)
39	6G1-43318-01-00	COVER	1	(8MH)
40	90508-10M15-00	SPRING, TORSION	1	(8MH)

CONTINUED ON NEXT FRAME >



BRACKET

Ref No.	Part Number	Description	Qty	Remarks
41	90508-10M16-00	SPRING, TORSION	1	(8MH)
42	90508-14M17-00	SPRING, TORSION	1	(8MH)
43	6N0-G2731-00-00	CARRYING HANDLE	1	(8MH)
44	97095-08016-00	BOLT	1	(8MH)
45	92995-08600-00	WASHER	1	(8MH)
46	6M8-G2511-00-4D	BRACKET, STEERING	1	(8MH)
47	6G1-44511-00-4D	COVER, UPPER MOUNT	1	(8MH)
48	6N0-G4514-00-00	MOUNT DAMPER, UPPER SIDE	2	(8MH)
49	6G1-44516-00-00	MOUNT DAMPER, UPPER FRONT	1	(8MH)
50	95895-06035-00	BOLT, FLANGE	2	(8MH)
51	6G1-42551-00-00	GROMMET	1	(8MH)
52	6G1-42535-00-00	WASHER, THRUST	2	(8MH)
53	6G1-42537-00-00	BUSHING, PIVOT SHAFT	1	(8MH)
54	6G1-42538-01-00	BUSHING, PIVOT SHAFT	1	(8MH)
55	93210-30M31-00	O-RING	3	(8MH)
56	6N0-G4551-00-4D	HOUSING, LOWER MOUNT RUBBER	1	(8MH)
57	6N0-G4552-00-4D	HOUSING, LOWER MOUNT RUBBER	1	(8MH)
58	6N0-G4555-A0-00	MOUNT DAMPER, LOWER SIDE	2	(8MH)
59	6N0-G4557-A0-00	MOUNT DAMPER, LOWER FRONT	1	(8MH)
60	95895-06035-00	BOLT, FLANGE	2	(8MH)

6N00110-4140
8msha