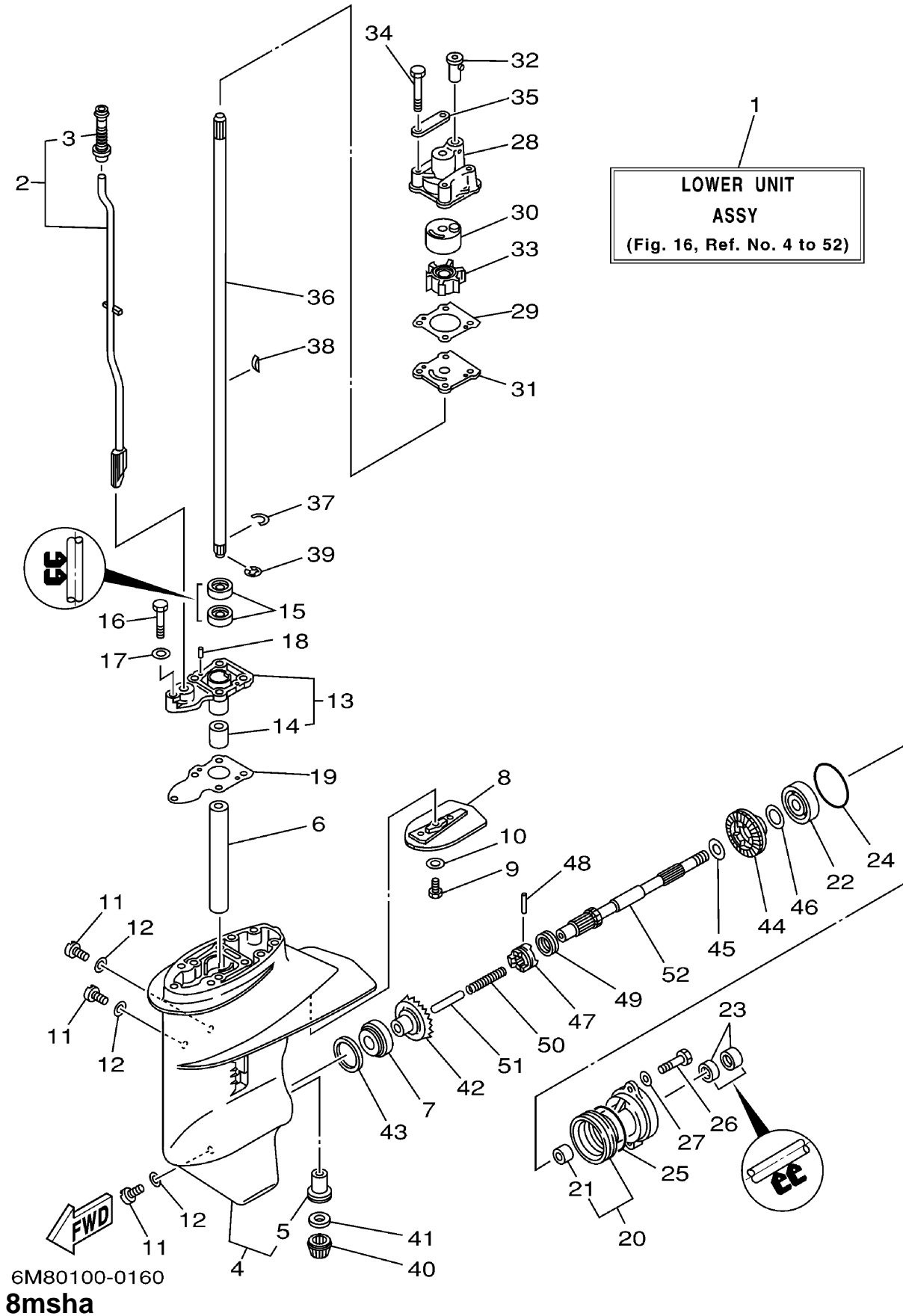


6M80100-0160
8msha

LOWER CASING DRIVE 1

Ref No.	Part Number	Description	Qty	Remarks
1	6M8-G5300-00-4D	LOWER UNIT ASSY	1	S(8MH)
2	6N0-G4150-00-00	SHIFT CAM ASSY	1	S(8MH)
3	6G1-44147-00-00	.BOOT, SHIFT ROD	1	(8MH)
4	6N0-G5311-00-4D	CASING, LOWER	1	(8MH)
5	6G1-45317-09-00	.BUSHING, DRIVE SHAFT	1	(8MH)
6	90387-14M49-00	COLLAR	1	(8MH)
7	93332-000U4-00	BEARING	1	(8MH)
8	6N0-G5251-00-00	ANODE	1	(8MH)
9	97095-06016-00	BOLT	1	(8MH)
10	92990-06300-00	WASHER, INTERNAL TOOTH	1	(8MH)
11	90340-08M04-00	PLUG, STRAIGHT SCREW	3	(8MH)
12	90430-08020-00	.GASKET	3	(8MH)
13	6G1-45331-01-5B	HOUSING, BEARING	1	(8MH)
14	6G1-45316-09-00	.BUSHING, DRIVE SHAFT	1	(8MH)
15	93101-11M23-00	.OIL SEAL	2	(8MH)
16	97095-06030-00	BOLT	1	(8MH)
17	92995-06600-00	WASHER	1	(8MH)
18	93604-08062-00	PIN, DOWEL	2	(8MH)
19	6G1-45315-A0-00	.PACKING, LOWER CASING	1	(8MH)
20	6N0-G5361-00-4D	CAP, LOWER CASING	1	(8MH)

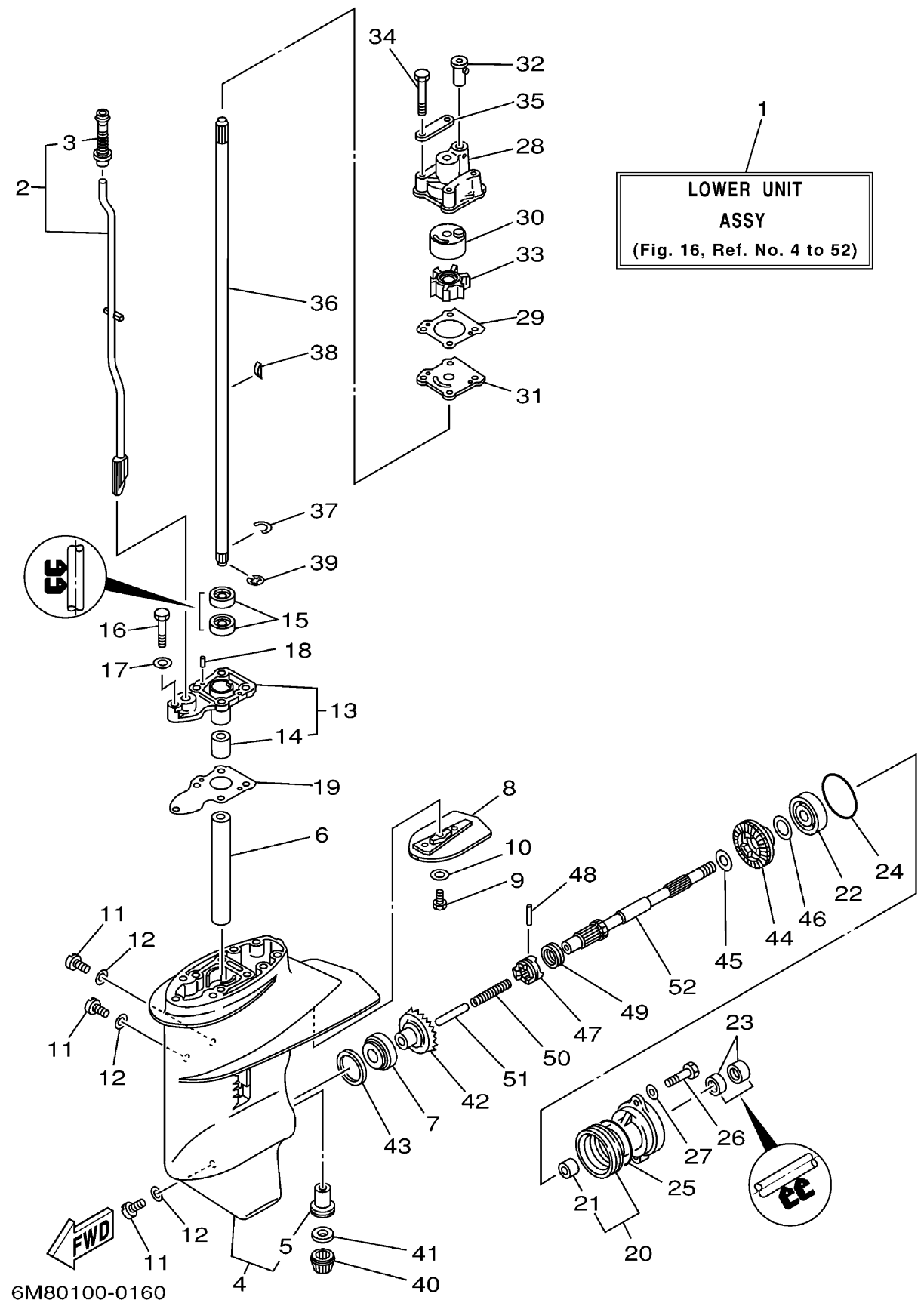
CONTINUED ON NEXT FRAME >



LOWER CASING DRIVE 1

Ref No.	Part Number	Description	Qty	Remarks
41	6G1-45533-00-22	SHIM (T:2.2MM)	1	UR(8MH)
41	6G1-45533-00-21	SHIM (T:2.1MM)	1	UR(8MH)
41	6G1-45533-00-20	SHIM (T:2.0MM)	1	UR(8MH)
41	6G1-45533-00-19	SHIM (T:1.9MM)	1	UR(8MH)
42	6N0-G5560-00-00	GEAR 1 (27T)	1	(8MH)
43	664-45587-01-10	SHIM (T:0.10MM)	1	UR(8MH)
43	664-45587-01-40	SHIM (T:0.40MM)	1	UR(8MH)
43	664-45587-01-15	SHIM (T:0.15MM)	1	UR(8MH)
43	664-45587-01-18	SHIM (T:0.18MM)	1	UR(8MH)
43	664-45587-01-12	SHIM (T:0.12MM)	1	UR(8MH)
43	664-45587-01-30	SHIM (T:0.30MM)	1	UR(8MH)
43	664-45587-01-50	SHIM (T:0.50MM)	1	UR(8MH)
44	6N0-G5571-00-00	GEAR 2 (27T)	1	(8MH)
45	90201-15M89-00	WASHER, PLATE	1	(8MH)
46	647-45567-00-00	SHIM (T:0.10MM)	1	UN(8MH)
47	6G1-45631-00-00	CLUTCH, DOG	1	(8MH)
48	6G1-45632-00-00	PIN, CROSS	1	(8MH)
49	654-45633-00-00	RING, CROSS PIN	1	(8MH)
50	90501-12M38-00	SPRING, COMPRESSION	1	(8MH)
51	6G1-45635-00-00	PLUNGER, SHIFT	1	(8MH)

CONTINUED ON NEXT FRAME >



1
**LOWER UNIT
 ASSY**
 (Fig. 16, Ref. No. 4 to 52)

LOWER CASING DRIVE 1

Ref No.	Part Number	Description	Qty	Remarks
52	6G1-45611-01-00	SHAFT, PROPELLER	1	(8MH)

6M80100-0160
 8msha