

STARTER

Ref No.	Part Number	Description	Qty	Remarks
1	6M8-E5710-03-00	STARTER ASSY	1	(8MH)
2	6N0-E5711-80-94	. .CASE, STARTER	1	(8MH)
3	6M8-E5714-00-00	. .DRUM, SHEAVE	1	(8MH)
4	90510-08M03-00	. .SPRING, SPIRAL	1	(8MH)
5	6G1-15717-00-00	. .SHAFT, STARTER	1	(8MH)
6	97013-06035-00	. BOLT	1	(8MH)
7	90201-06M30-00	. WASHER, PLATE	1	(8MH)
8	95303-06600-00	. .NUT	1	(8MH)
9	93430-06M02-00	. .CIRCLIP	1	(8MH)
10	6G1-15705-00-00	. .SPRING, DRIVE PAWL	1	(8MH)
11	90580-50M01-00	. ROPE, STARTER	1	(8MH)
12	6G1-15755-00-00	. .HANDLE, STARTER	1	(8MH)
13	6G1-15779-00-00	. .COVER	1	(8MH)
14	6N0-E5758-01-00	. GUIDE, ROPE	1	(8MH)
15	6G1-15762-00-00	. .SEAL, RUBBER 2	1	(8MH)
16	95895-06016-00	. BOLT, FLANGE	2	(8MH)
17	677-15741-01-00	. .PAWL, DRIVE	1	(8MH)
18	95895-06020-00	BOLT, FLANGE	3	(8MH)
19	6N0-E5723-00-94	PULLEY, STARTER	1	(8MH)
20	90105-06M29-00	BOLT, FLANGE	3	(8MH)

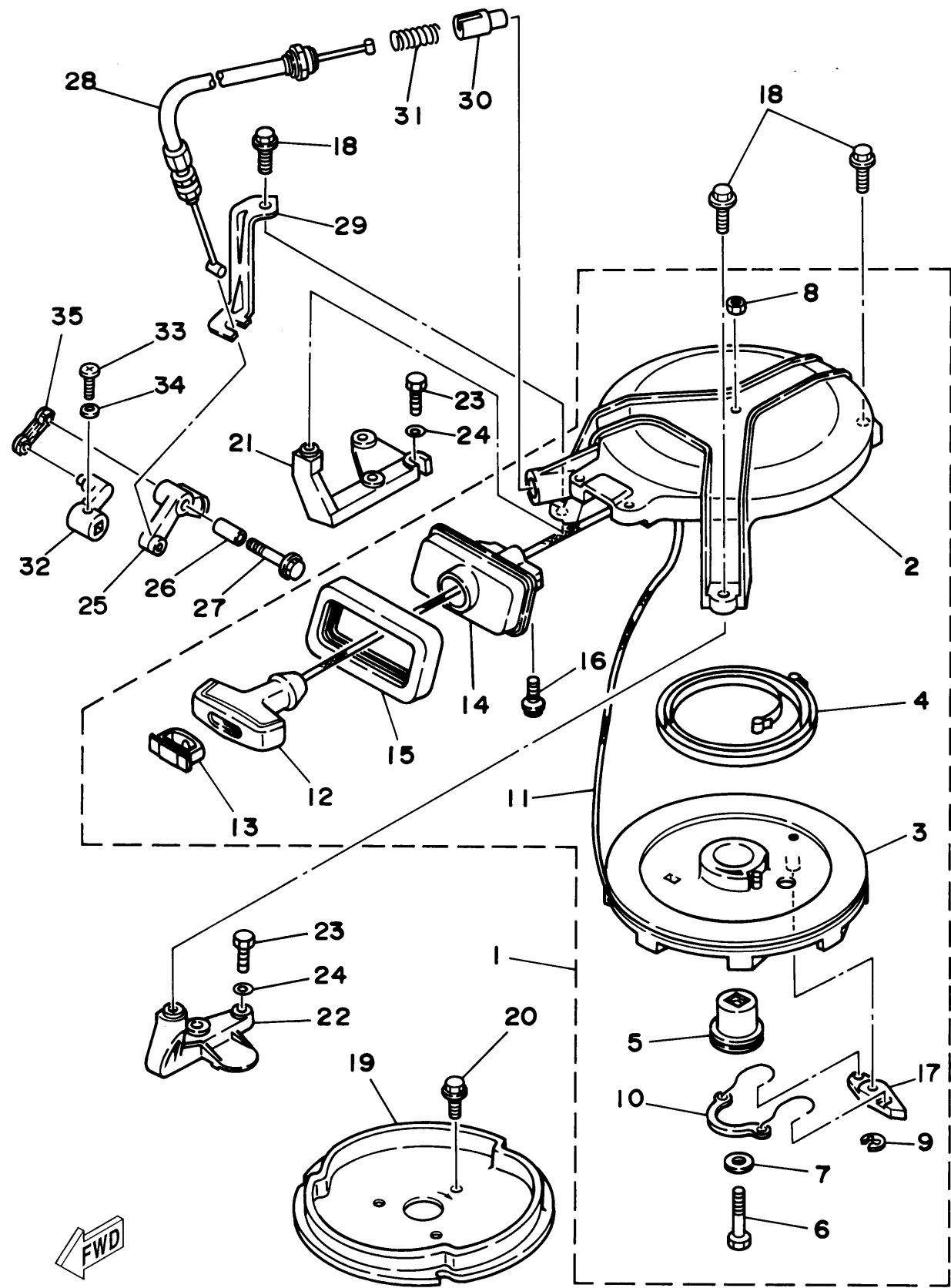
CONTINUED ON NEXT FRAME >



6M80010-7070

8msha

B2



STARTER

Ref No.	Part Number	Description	Qty	Remarks
21	6N0-E5771-00-94	STAY 1	1	(8MH)
22	6N0-E5772-00-94	STAY 2	1	(8MH)
23	97075-06020-00	BOLT	4	(8MH)
24	92995-06600-00	WASHER	4	(8MH)
25	6G1-15746-10-00	ARM	1	(8MH)
26	6G1-15764-00-00	COLLAR 1	1	(8MH)
27	95895-06025-00	BOLT, FLANGE	1	(8MH)
28	6N0-E5770-80-00	CABLE COMP., STARTER STOP	1	(8MH)
29	6G1-15774-81-00	STAY 4	1	(8MH)
30	656-15748-00-00	PLUNGER, STARTER STOP	1	(8MH)
31	90501-10227-00	SPRING, COMPRESSION	1	(8MH)
32	6G1-44125-80-00	LEVER, SHIFT ROD	1	(8MH)
33	97880-05016-00	SCREW, PAN HEAD	1	(8MH)
34	92990-05600-00	WASHER, PLATE	1	(8MH)
35	6G1-15747-80-00	LINK	1	(8MH)

6M80010-7070

8msha

B3