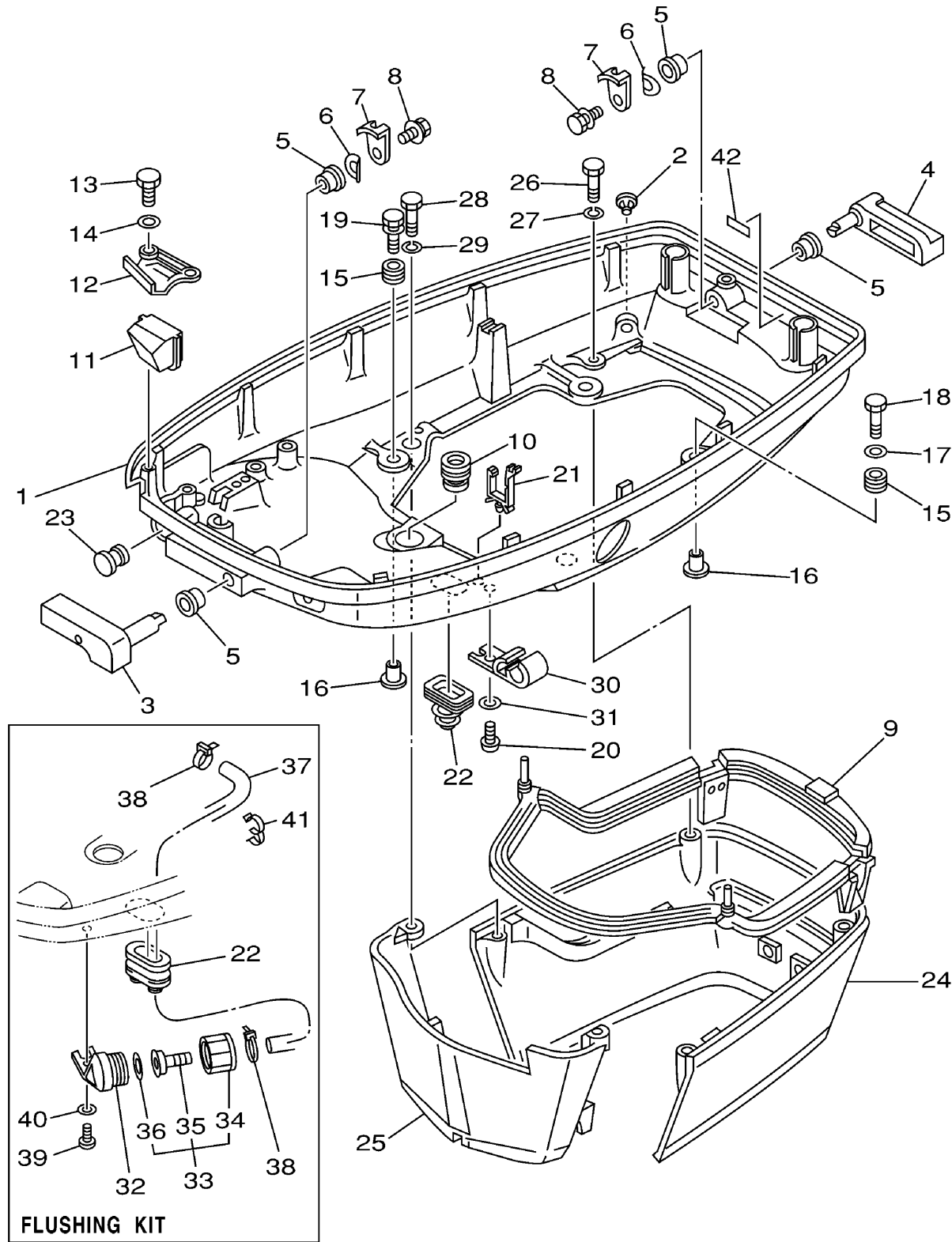


# BOTTOM COWLING



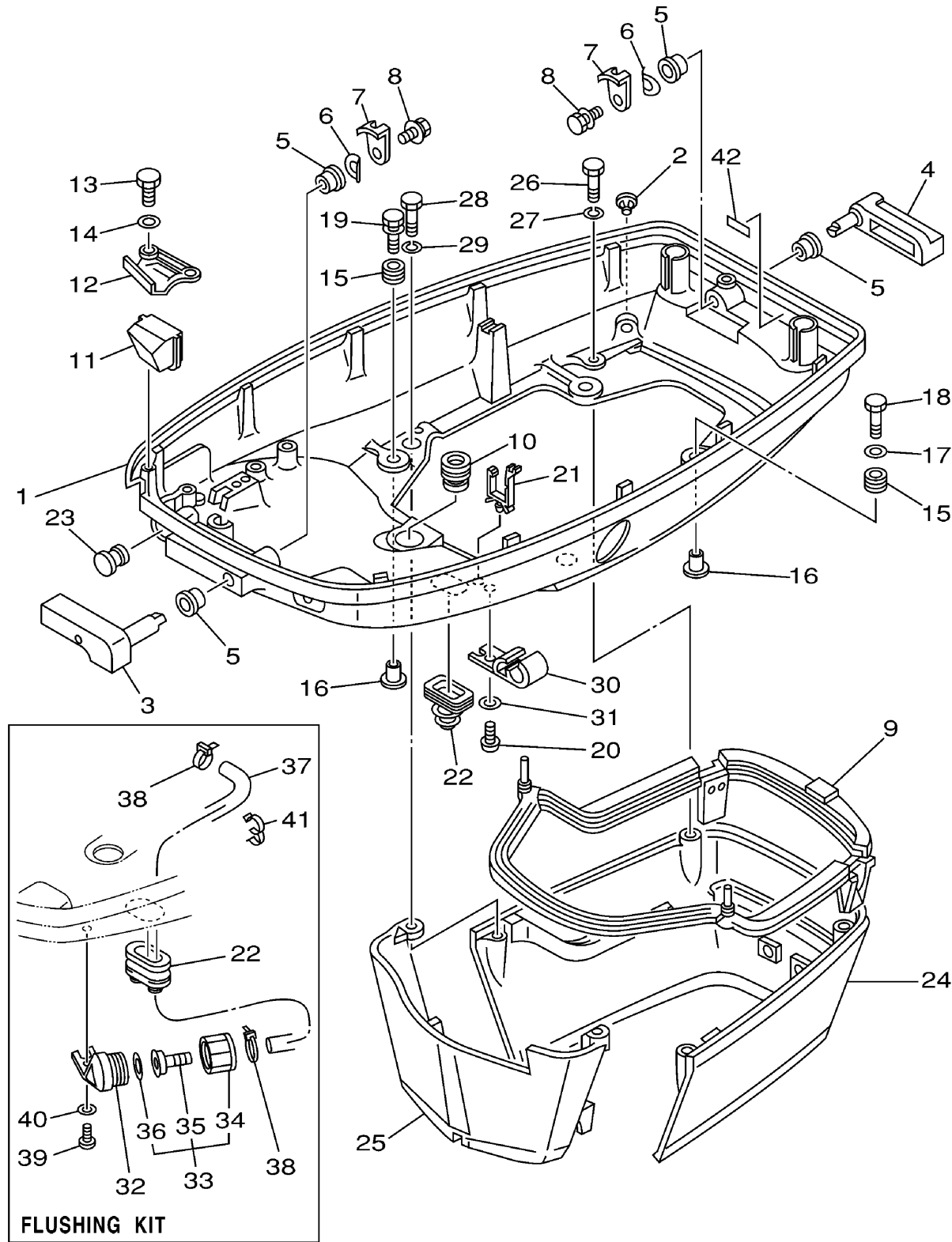
Ref No.	Part Number	Description	Qty	Remarks
1	6H1-42711-10-4D	COWLING, BOTTOM 1	1	(90TR)
2	6H3-44391-01-00	NIPPLE, HOSE	1	(90TR)
3	688-42815-01-4D	LEVER, CLAMP	1	(90TR)
4	688-42817-01-4D	LEVER, CLAMP	1	(90TR)
5	90386-13M38-00	BUSH	4	(90TR)
6	90206-13019-00	WASHER, WAVE	2	(90TR)
7	688-42816-00-00	LEVER, CLAMP	2	(90TR)
8	90119-06M09-00	BOLT, WITH WASHER	2	(90TR)
9	688-42716-02-00	RUBBER, SEAL 1	1	(90TR)
10	663-42724-00-00	GROMMET	1	(90TR)
11	688-42725-20-00	GROMMET	1	(90TR)
12	688-42738-01-94	PLATE, FITTING	1	(90TR)
13	97095-06016-00	BOLT	2	(90TR)
14	92995-06600-00	WASHER	2	(90TR)
15	90480-09M12-00	GROMMET	4	(90TR)
16	90387-06M69-00	COLLAR	4	(90TR)
17	90201-06416-00	WASHER, PLATE	1	(90TR)
18	97095-06030-00	BOLT	1	(90TR)
19	90119-06M61-00	BOLT, WITH WASHER	3	(90TR)
20	90157-06M01-00	SCREW, PAN HEAD	1	(90TR)

CONTINUED ON NEXT FRAME >



6H12100-2120  
90tira

# BOTTOM COWLING



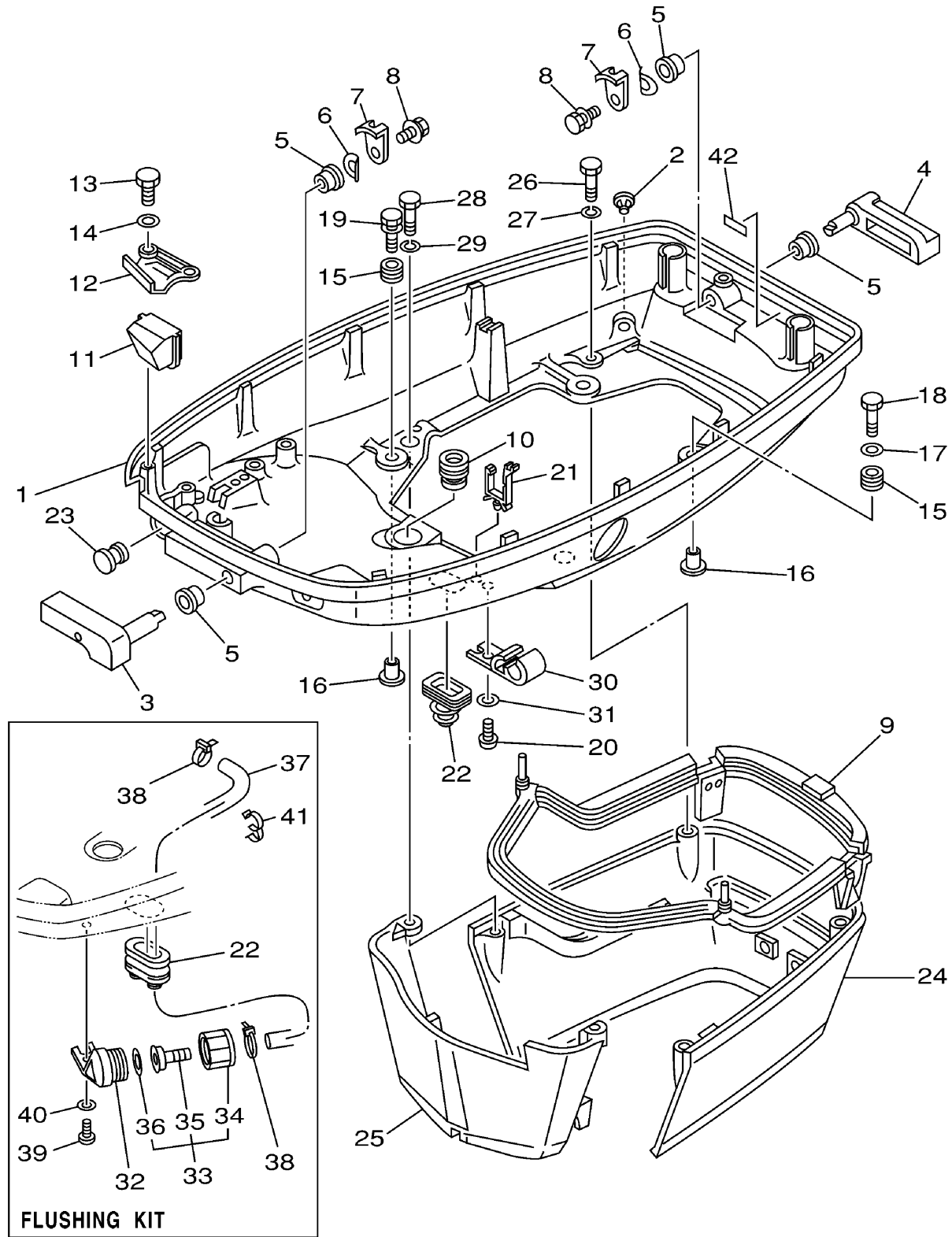
Ref No.	Part Number	Description	Qty	Remarks
21	90464-15M08-00	CLAMP	1	(90TR)
22	6H1-42726-20-00	GROMMET	1	UR FLUSHING KIT(90TR)
22	688-42726-10-00	GROMMET	1	UR(90TR)
23	6G1-42748-00-00	GROMMET	1	(90TR)
24	688-42741-01-4D	APRON	1	(90TR)
25	688-42771-01-4D	APRON	1	(90TR)
26	97095-06020-00	BOLT	2	(90TR)
27	92995-06100-00	WASHER, SPRING	2	(90TR)
28	97095-06030-00	BOLT	2	(90TR)
29	92995-06100-00	WASHER, SPRING	2	(90TR)
30	6E5-24367-01-00	CLAMP, FUEL PIPE 2	1	(90TR)
31	92990-06600-00	WASHER, PLATE	1	(90TR)
32	6H1-12572-00-00	ADAPTER	1	FLUSHING KIT(90TR)
33	6R3-12580-00-00	.JOINT ASSY	1	FLUSHING KIT(90TR)
34	6R3-12581-00-00	. JOINT, HOSE 1	1	(90TR)
35	6R3-12582-00-00	. JOINT, HOSE 2	1	(90TR)
36	6R3-12583-00-00	. GASKET, HOSE JOINT	1	(90TR)
37	6H1-24312-00-00	PIPE 2	1	FLUSHING KIT(90TR)
38	90465-11M10-00	CLAMP	2	FLUSHING KIT(90TR)
39	90157-06M01-00	SCREW, PAN HEAD	1	FLUSHING KIT(90TR)

CONTINUED ON NEXT FRAME >



6H12100-2120  
90tira

# BOTTOM COWLING



Ref No.	Part Number	Description	Qty	Remarks
40	92990-06600-00	WASHER, PLATE	1	FLUSHING KIT(90TR)
41	90464-09M31-00	CLAMP	1	FLUSHING KIT(90TR)
42	6G5-42791-00-00	MARK 1	1	(90TR)



6H12100-2120  
90t1ra