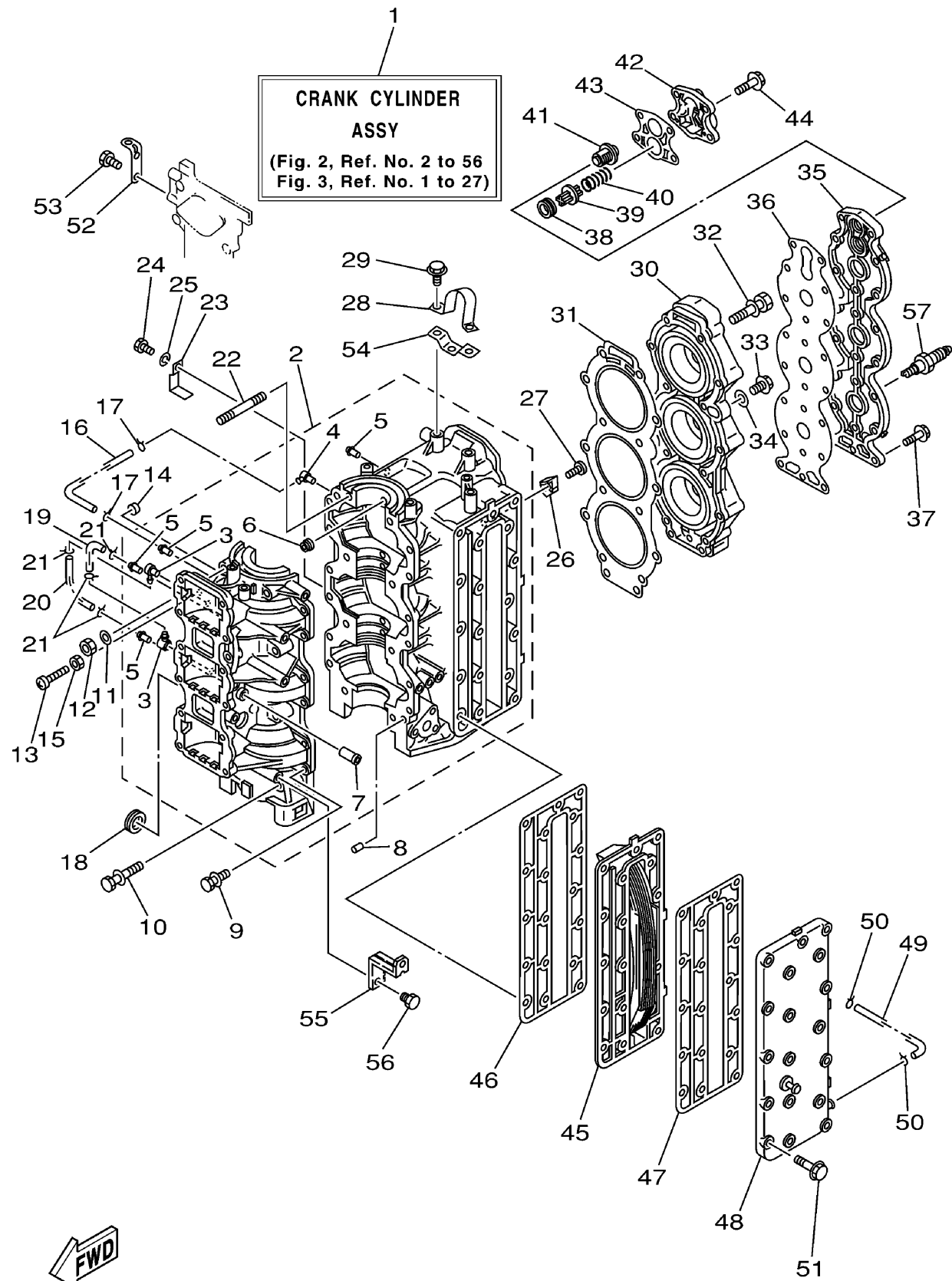


CYLINDER CRANKCASE

Ref No.	Part Number	Description	Qty	Remarks
1	6H1-W0090-43-1S	CRANK CYLINDER ASSY	1	(90TR)
2	6H1-15100-02-1S	CRANKCASE ASSY	1	(90TR)
3	688-11370-00-00	. CHECK VALVE ASSY	2	(90TR)
4	650-11370-00-00	. CHECK VALVE ASSY	1	(90TR)
5	624-14485-00-00	. .PIPE, JOINT	4	(90TR)
6	663-11518-01-00	. .LOCK, BEARING	3	(90TR)
7	650-24378-00-00	. .PIPE, JOINT 4	1	(90TR)
8	93608-12063-00	PIN, DOWEL	2	(90TR)
9	90119-06M12-00	BOLT, WITH WASHER	12	(90TR)
10	90119-10005-00	BOLT, WITH WASHER	6	(90TR)
11	90201-10430-00	WASHER, PLATE	2	(90TR)
12	95313-10600-00	NUT	2	(90TR)
13	90157-06014-00	SCREW, PAN HEAD	1	(90TR)
14	688-44194-00-00	CAP	1	(90TR)
15	95303-06700-00	NUT	1	(90TR)
16	90445-07260-00	HOSE (L276)	1	(90TR)
17	90467-06016-00	CLIP	2	(90TR)
18	90480-24M04-00	GROMMET	1	(90TR)
19	90445-07M00-00	HOSE (L100)	1	(90TR)
20	90445-07M23-00	HOSE (L408)	1	(90TR)

CONTINUED ON NEXT FRAME >

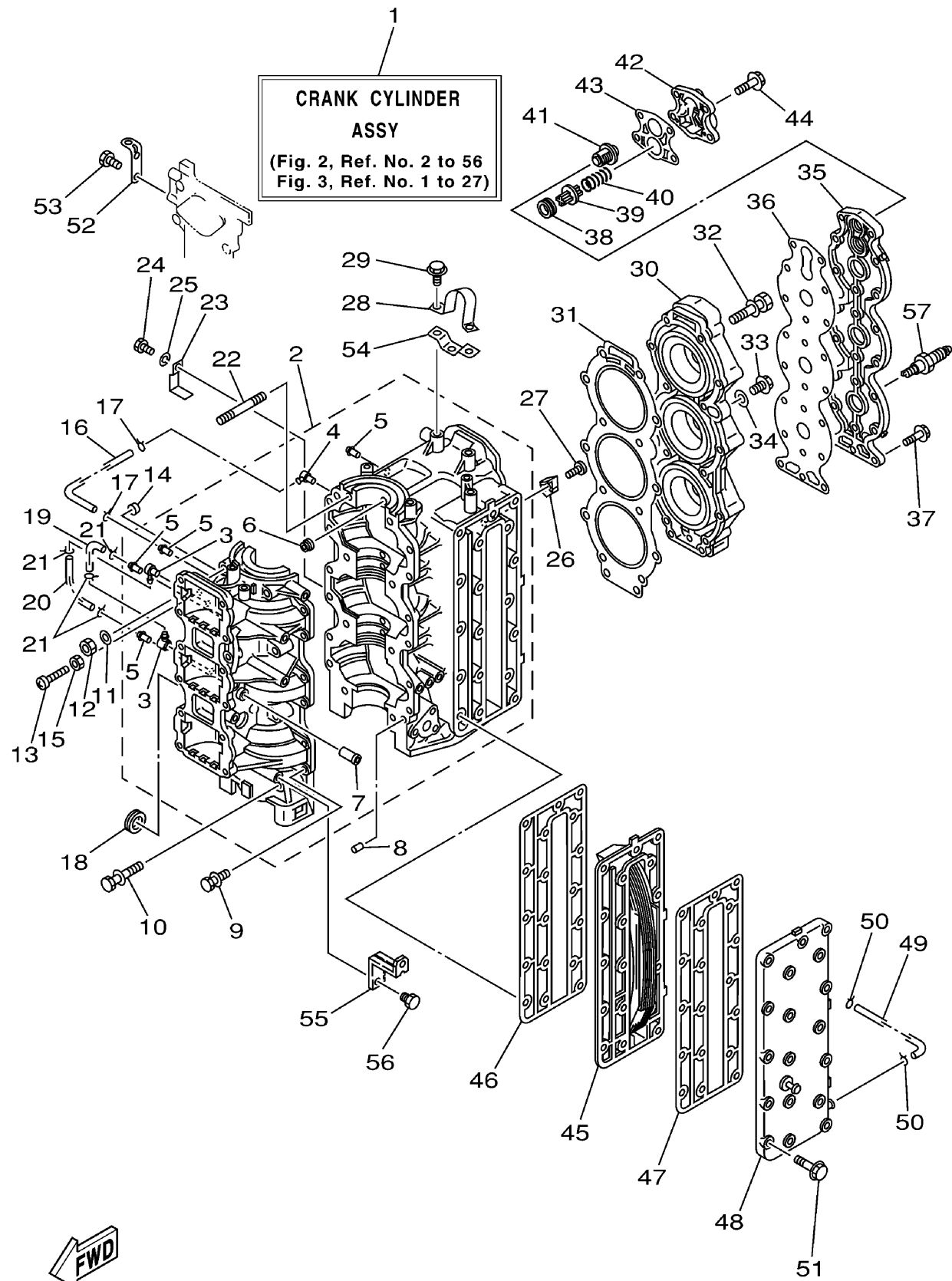




CYLINDER CRANKCASE

Ref No.	Part Number	Description	Qty	Remarks
21	90467-06016-00	CLIP	4	(90TR)
22	90116-10M06-00	BOLT, STUD	2	(90TR)
23	90465-12M03-00	CLAMP	1	(90TR)
24	97095-06014-00	BOLT	1	(90TR)
25	92995-06100-00	WASHER, SPRING	1	(90TR)
26	688-11325-00-00	ANODE	2	(90TR)
27	98780-04015-00	SCREW, FLAT HEAD	2	(90TR)
28	688-11119-01-00	HANGER, ENGINE	1	(90TR)
29	90119-08MA3-00	BOLT, WITH WASHER	2	(90TR)
30	6H1-11111-01-1S	HEAD, CYLINDER 1	1	(90TR)
31	688-11181-A1-00	.GASKET, CYLINDER HEAD 1	1	(90TR)
32	90119-08MA8-00	BOLT, WITH WASHER	14	(90TR)
33	90340-14M00-00	.PLUG, STRAIGHT SCREW	1	(90TR)
34	90430-14115-00	.GASKET	1	(90TR)
35	688-11191-00-1S	COVER, CYLINDER HEAD 1	1	(90TR)
36	688-11193-A1-00	GASKET, HEAD COVER 1	1	(90TR)
37	90119-06MA3-00	BOLT, WITH WASHER	18	(90TR)
38	90480-20M05-00	GROMMET	1	(90TR)
39	688-12416-00-00	VALVE, PRESSURE CONTROL	1	(90TR)
40	90501-16M11-00	SPRING, COMPRESSION	1	(90TR)

CONTINUED ON NEXT FRAME >



CYLINDER CRANKCASE

Ref No.	Part Number	Description	Qty	Remarks
41	688-12411-10-00	THERMOSTAT	1	(90TR)
42	688-12413-00-1S	COVER, THERMOSTAT	1	(90TR)
43	688-12414-A1-00	.GASKET, COVER	1	(90TR)
44	90119-06MA5-00	BOLT, WITH WASHER	4	(90TR)
45	688-41111-00-1S	INNER COVER, EXHAUST	1	(90TR)
46	688-41112-A0-00	GASKET, EXHAUST INNER COVER	1	(90TR)
47	688-41114-A0-00	.GASKET, EXHAUST OUTER COVER	1	(90TR)
48	6H1-41113-00-1S	OUTER COVER, EXHAUST	1	FOR FLUSHING KIT(90TR)
49	663-24312-01-00	PIPE 2	1	(90TR)
50	90467-08004-00	CLIP	2	(90TR)
51	90119-08020-00	BOLT, WITH WASHER	18	(90TR)
52	6H1-15772-00-00	STAY 2	1	(90TR)
53	97095-06012-00	BOLT	2	(90TR)
54	6H1-15773-01-00	STAY 3	1	(90TR)
55	6H1-21796-00-00	HINGE	1	(90TR)
56	97095-08012-00	BOLT	1	(90TR)
57	NGK-B8HS1-00-00	PLUG, SPARK (NGK B8HS-10)	3	(90TR)