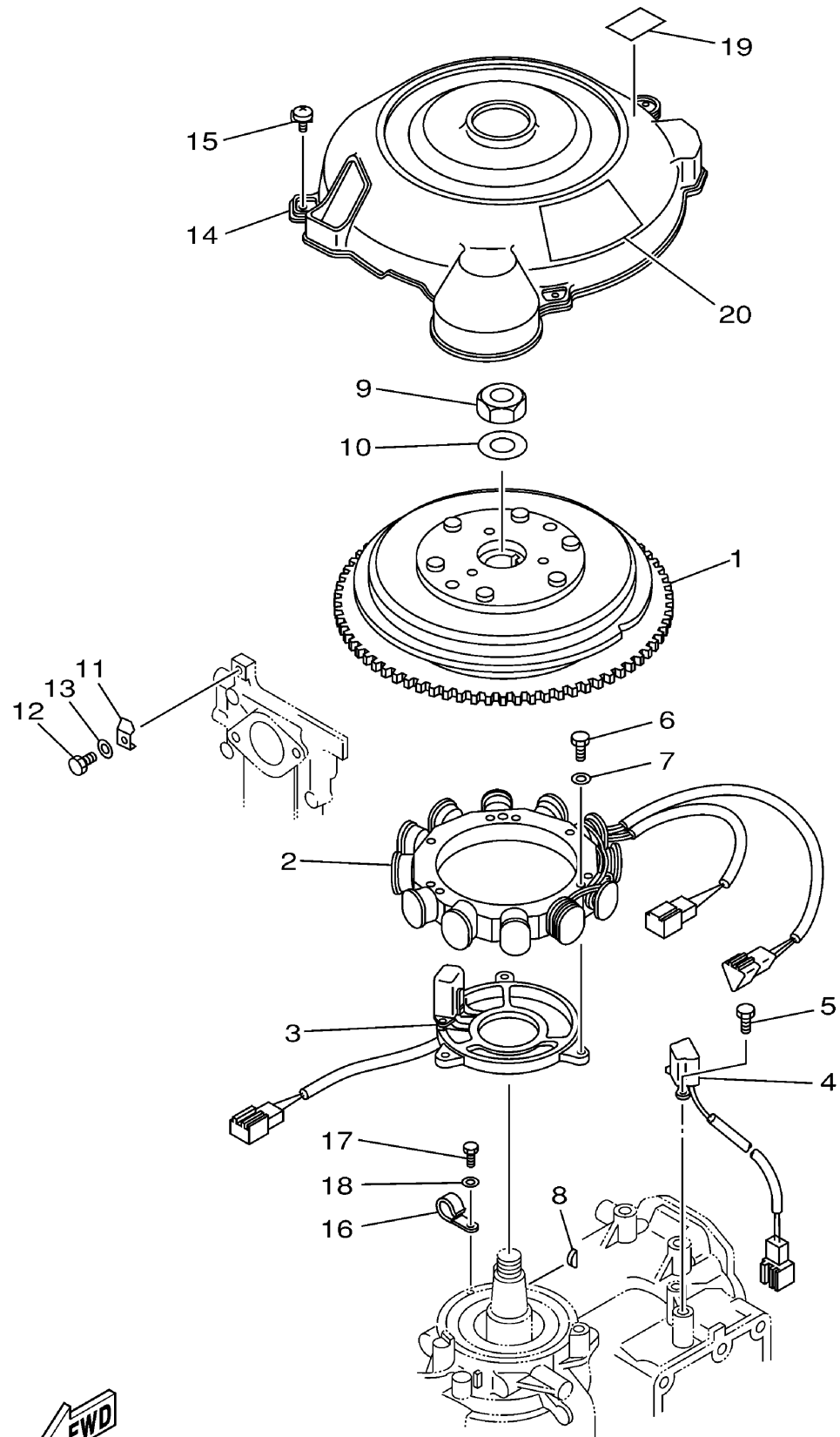




6H12100-2090
90t1ra



GENERATOR

| Ref No. | Part Number | Description | Qty | Remarks |
|---------|-----------------|-----------------------|-----|---------|
| 1 | 6H0-85550-00-00 | ROTOR ASSY | 1 | (90TR) |
| 2 | 6H0-85510-03-00 | STATOR ASSY | 1 | (90TR) |
| 3 | 6H0-85580-01-00 | COIL, PULSER | 1 | (90TR) |
| 4 | 6H2-85895-01-00 | CRANK POSITION SENDER | 1 | (90TR) |
| 5 | 97095-05012-00 | BOLT | 2 | (90TR) |
| 6 | 97095-06040-00 | .BOLT | 3 | (90TR) |
| 7 | 92995-06600-00 | WASHER | 3 | (90TR) |
| 8 | 90280-05015-00 | KEY, WOODRUFF | 1 | (90TR) |
| 9 | 90170-20137-00 | NUT | 1 | (90TR) |
| 10 | 90201-21M18-00 | WASHER, PLATE | 1 | (90TR) |
| 11 | 688-81332-01-00 | PLATE, TIMING | 1 | (90TR) |
| 12 | 97095-06010-00 | BOLT | 1 | (90TR) |
| 13 | 92995-06600-00 | WASHER | 1 | (90TR) |
| 14 | 6H1-81337-01-00 | COVER, FLYWHEEL | 1 | (90TR) |
| 15 | 90159-06M20-00 | SCREW, WITH WASHER | 3 | (90TR) |
| 16 | 90465-06M90-00 | CLAMP | 1 | (90TR) |
| 17 | 97095-06012-00 | BOLT | 1 | (90TR) |
| 18 | 92995-06600-00 | WASHER | 1 | (90TR) |
| 19 | 6H1-14488-00-00 | LABEL, CAUTION | 1 | (90TR) |
| 20 | 6H1-13437-44-00 | MARK, CAUTION | 1 | (90TR) |