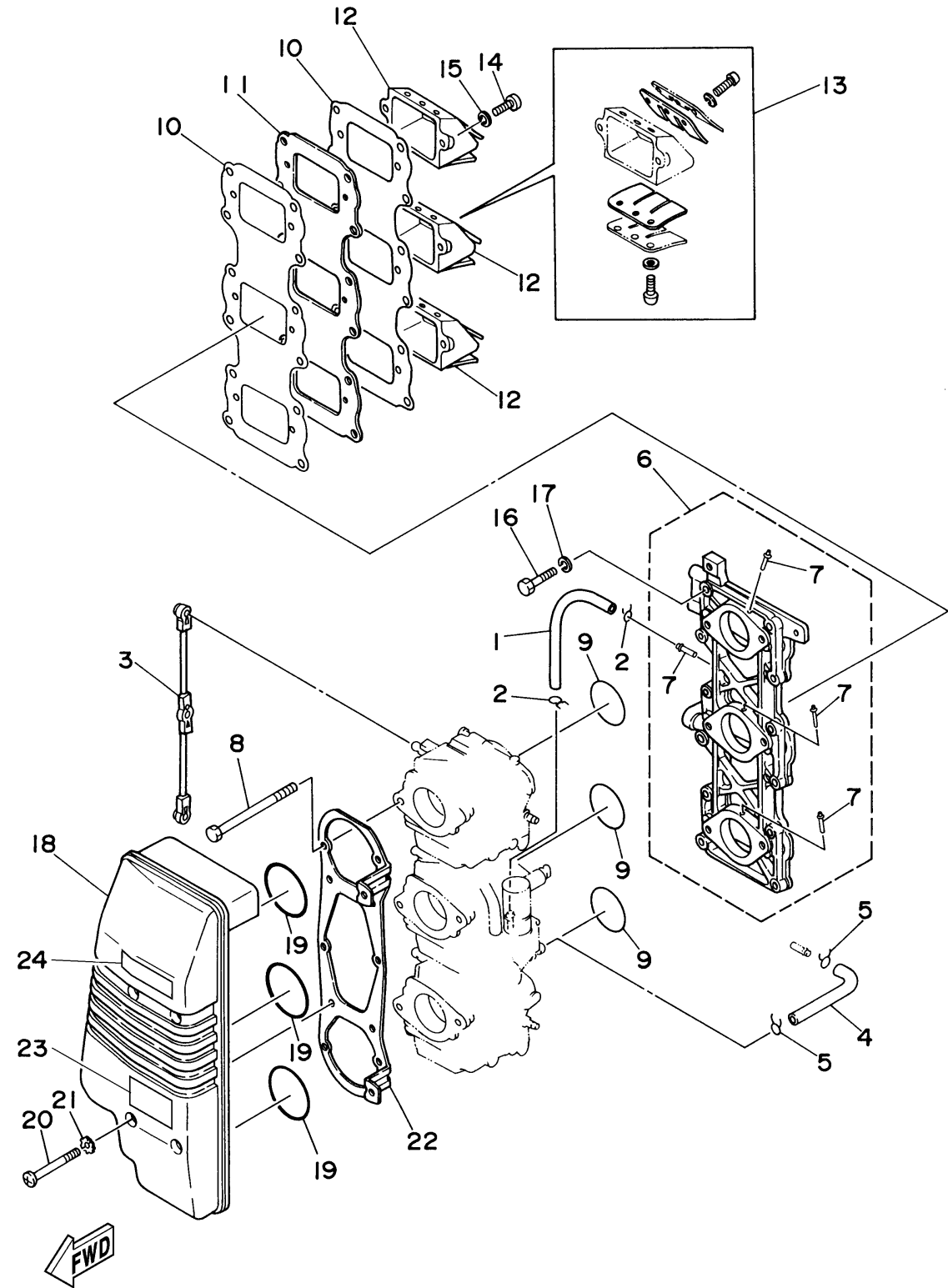


INTAKE

Ref No.	Part Number	Description	Qty	Remarks
1	90445-07M23-00	HOSE (L408)	1	(90TR)
2	90467-06016-00	CLIP	2	(90TR)
3	688-41217-01-00	ROD, ACCEL. LEVER	1	(90TR)
4	6H3-14349-00-00	.PIPE	1	(90TR)
5	90467-08004-00	CLIP	2	(90TR)
6	6H1-13641-02-94	MANIFOLD 1	1	(90TR)
7	6H1-14485-00-00	.PIPE, JOINT	4	(90TR)
8	97095-06095-00	BOLT	6	(90TR)
9	93210-39ME4-00	.O-RING	3	(90TR)
10	688-13621-A1-00	.GASKET, VALVE SEAT	2	(90TR)
11	688-13624-00-00	PLATE, REED VALVE	1	(90TR)
12	688-13610-00-00	REED VALVE ASSY	3	(90TR)
13	688-W0004-00-00	.REED SET	1	(90TR)
14	97880-05020-00	SCREW, PAN HEAD	6	(90TR)
15	92990-05100-00	.WASHER, SPRING	6	(90TR)
16	97013-06030-00	BOLT	12	(90TR)
17	92903-06100-00	WASHER, SPRING	12	(90TR)
18	6H1-14440-02-00	SILENCER ASSY, INTAKE	1	(90TR)
19	93210-46044-00	.O-RING	3	(90TR)
20	97885-06050-00	SCREW, PAN HEAD	4	(90TR)

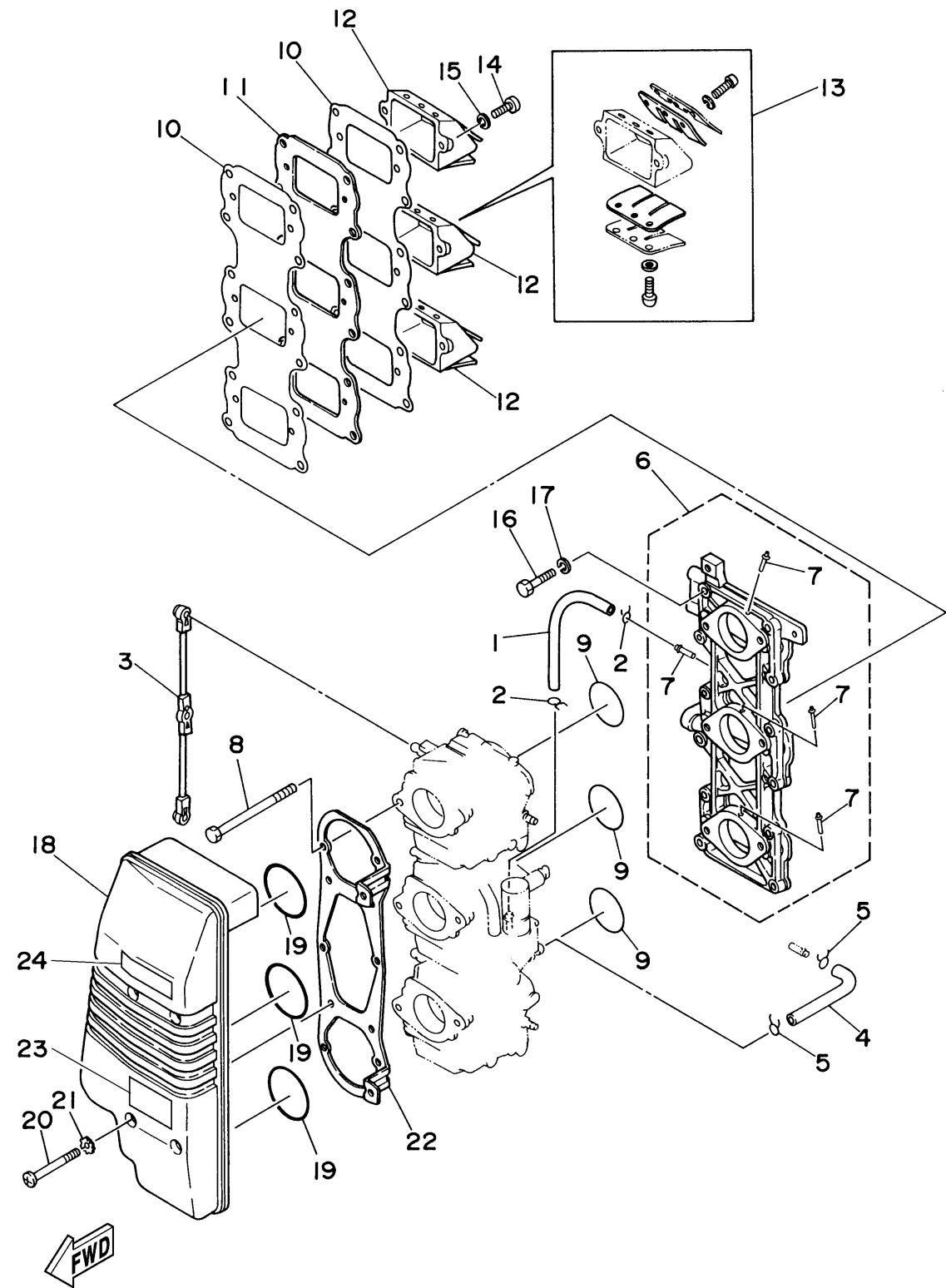
CONTINUED ON NEXT FRAME >



6H12110-2040

INTAKE

Ref No.	Part Number	Description	Qty	Remarks
21	90209-06M05-00	WASHER	4	(90TR)
22	6H1-14413-02-00	STAY	1	(90TR)
23	6H1-85711-60-00	MARK, CAUTION	1	(90TR)
24	6A1-83625-41-00	MARK 5	1	(90TR)



6H12110-2040