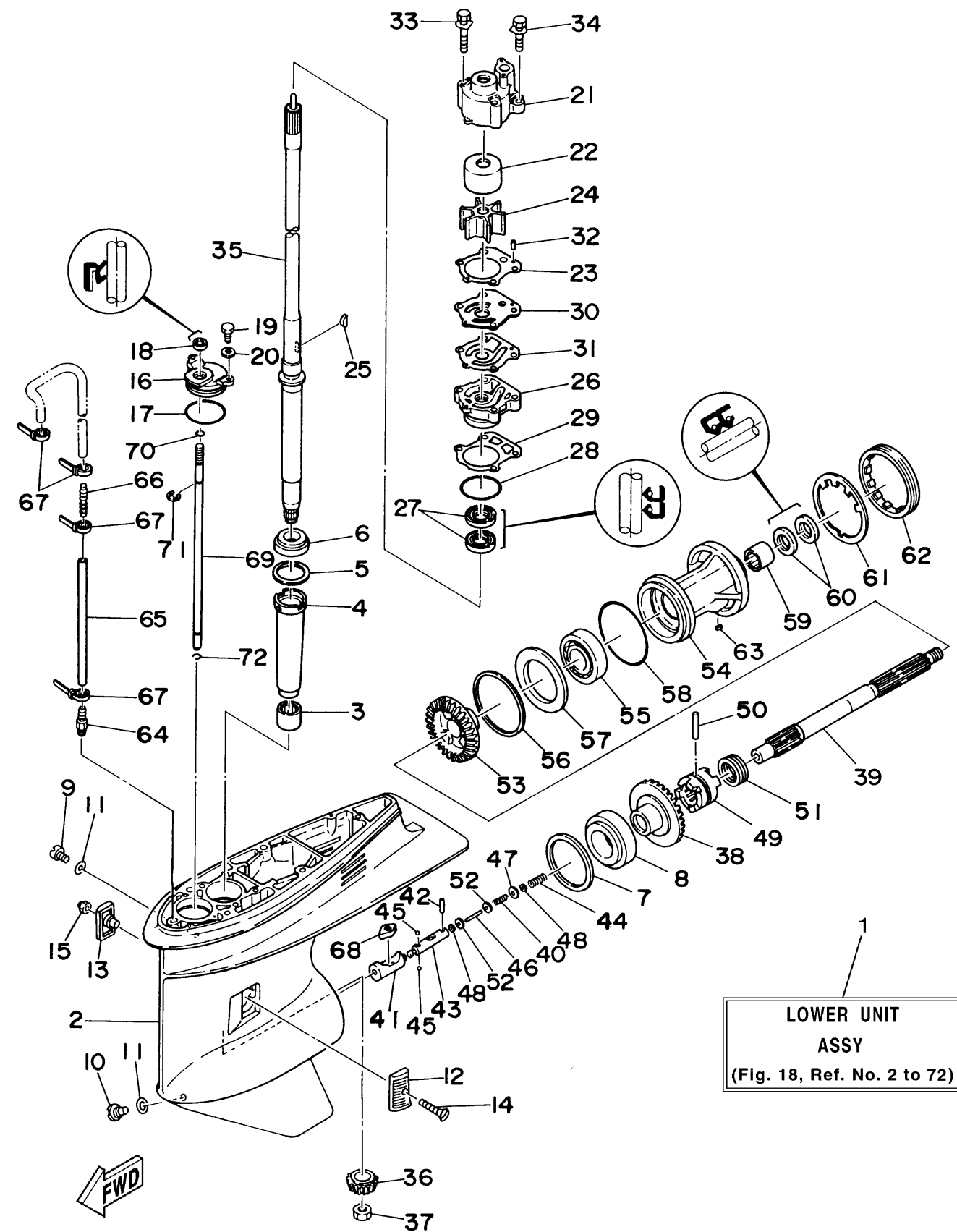


LOWER CASING DRIVE 1

Ref No.	Part Number	Description	Qty	Remarks
1	6H1-45300-15-4D	LOWER UNIT ASSY	1	L(90TR)
2	6H1-45301-03-4D	CASING, LOWER	1	(90TR)
3	93315-325V1-00	BEARING	1	(90TR)
4	688-45536-01-00	SLEEVE, DRIVE SHAFT	1	(90TR)
5	688-45587-01-12	SHIM (T:0.12MM)	1	UR(90TR)
5	688-45587-01-30	SHIM (T:0.30MM)	1	UR(90TR)
5	688-45587-01-50	SHIM (T:0.50MM)	1	UR(90TR)
5	688-45587-01-10	SHIM (T:0.10MM)	1	UR(90TR)
5	688-45587-01-15	SHIM (T:0.15MM)	1	UR(90TR)
5	688-45587-01-18	SHIM (T:0.18MM)	1	UR(90TR)
5	688-45587-01-40	SHIM (T:0.40MM)	1	UR(90TR)
6	93332-000U3-00	BEARING	1	(90TR)
7	688-45567-01-12	SHIM (T:0.12MM)	1	UR(90TR)
7	688-45567-01-30	SHIM (T:0.30MM)	1	UR(90TR)
7	688-45567-01-50	SHIM (T:0.50MM)	1	UR(90TR)
7	688-45567-01-10	SHIM (T:0.10MM)	1	UR(90TR)
7	688-45567-01-15	SHIM (T:0.15MM)	1	UR(90TR)
7	688-45567-01-18	SHIM (T:0.18MM)	1	UR(90TR)
7	688-45567-01-40	SHIM (T:0.40MM)	1	UR(90TR)
8	93332-000W7-00	BEARING	1	(90TR)

LOWER UNIT ASSY
(Fig. 18, Ref. No. 2 to 72)

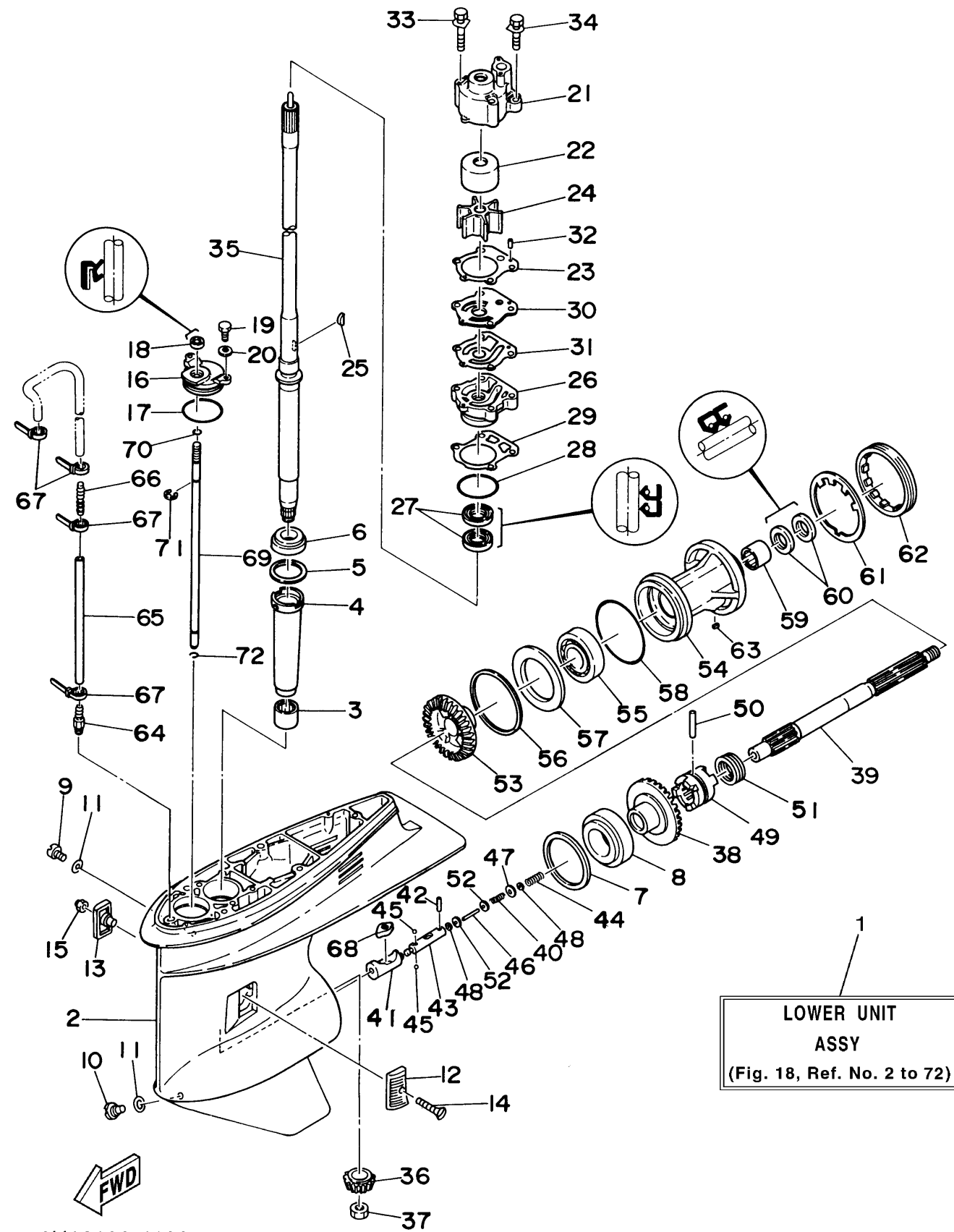
CONTINUED ON NEXT FRAME >



LOWER CASING DRIVE 1

Ref No.	Part Number	Description	Qty	Remarks
9	90340-08M04-00	PLUG, STRAIGHT SCREW	1	(90TR)
10	688-45341-00-00	PLUG, DRAIN	1	(90TR)
11	90430-08020-00	.GASKET	2	(90TR)
12	6H1-45214-00-00	COVER, WATER INLET 1	1	(90TR)
13	6H1-45215-00-00	COVER, WATER INLET 2	1	(90TR)
14	90151-05M00-00	SCREW, COUNTERSUNK	1	(90TR)
15	90185-05002-00	NUT, NYLON	1	(90TR)
16	688-45321-00-00	PLATE	1	(90TR)
17	93210-49046-00	O-RING	1	(90TR)
18	93106-09014-00	.OIL SEAL	1	(90TR)
19	97095-06016-00	BOLT	2	(90TR)
20	92995-06600-00	WASHER	2	(90TR)
21	688-44311-01-00	HOUSING, WATER PUMP	1	(90TR)
22	688-44322-00-00	INSERT, CARTRIDGE	1	(90TR)
23	688-44315-A0-00	.GASKET, WATER PUMP	1	(90TR)
24	688-44352-03-00	IMPELLER	1	(90TR)
25	90280-04M04-00	.KEY, WOODRUFF	1	(90TR)
26	688-44341-01-94	HOUSING, WATER PUMP	1	(90TR)
27	93101-25M03-00	.OIL SEAL	2	(90TR)
28	93210-46044-00	.O-RING	1	(90TR)

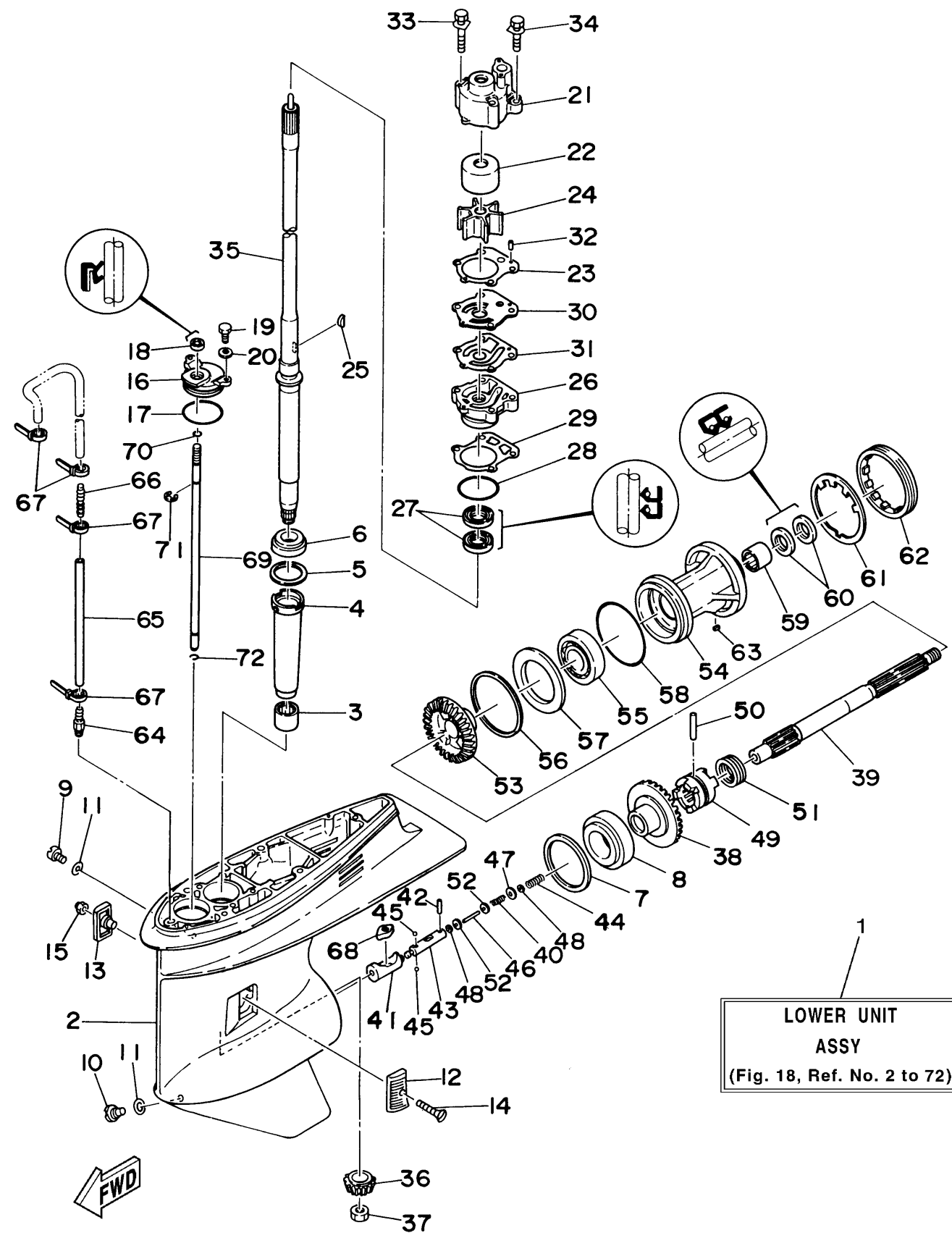
CONTINUED ON NEXT FRAME >



LOWER CASING DRIVE 1

Ref No.	Part Number	Description	Qty	Remarks
29	688-44316-A0-00	.GASKET, WATER PUMP	1	(90TR)
30	688-44323-00-00	OUTER PLATE, CARTRIDGE	1	(90TR)
31	688-44324-A0-00	.GASKET, CARTRIDGE	1	(90TR)
32	93604-10M03-00	.PIN, DOWEL	2	(90TR)
33	90119-08M16-00	.BOLT, WITH WASHER	2	(90TR)
34	90119-08M13-00	.BOLT, WITH WASHER	2	(90TR)
35	6H1-45501-11-00	DRIVE SHAFT COMP.	1	L(90TR)
36	688-45551-01-00	PINION (13T)	1	(90TR)
37	90170-16M01-00	NUT	1	(90TR)
38	688-45560-00-00	GEAR 1 (26T)	1	(90TR)
39	6H1-45611-01-00	SHAFT, PROPELLER	1	(90TR)
40	90501-12M48-00	SPRING, COMPRESSION	1	(90TR)
41	6H1-45641-01-00	SHIFTER	1	(90TR)
42	93603-12M11-00	PIN, DOWEL	1	(90TR)
43	6H1-45634-02-00	SLIDE, SHIFT	1	(90TR)
44	90501-16M65-00	SPRING, COMPRESSION	1	(90TR)
45	93503-16003-00	BALL	2	(90TR)
46	6H1-45668-00-00	SHAFT, FREE 1	1	(90TR)
47	90201-03313-00	WASHER, PLATE	1	(90TR)
48	90183-02M03-00	NUT, SPRING	2	(90TR)

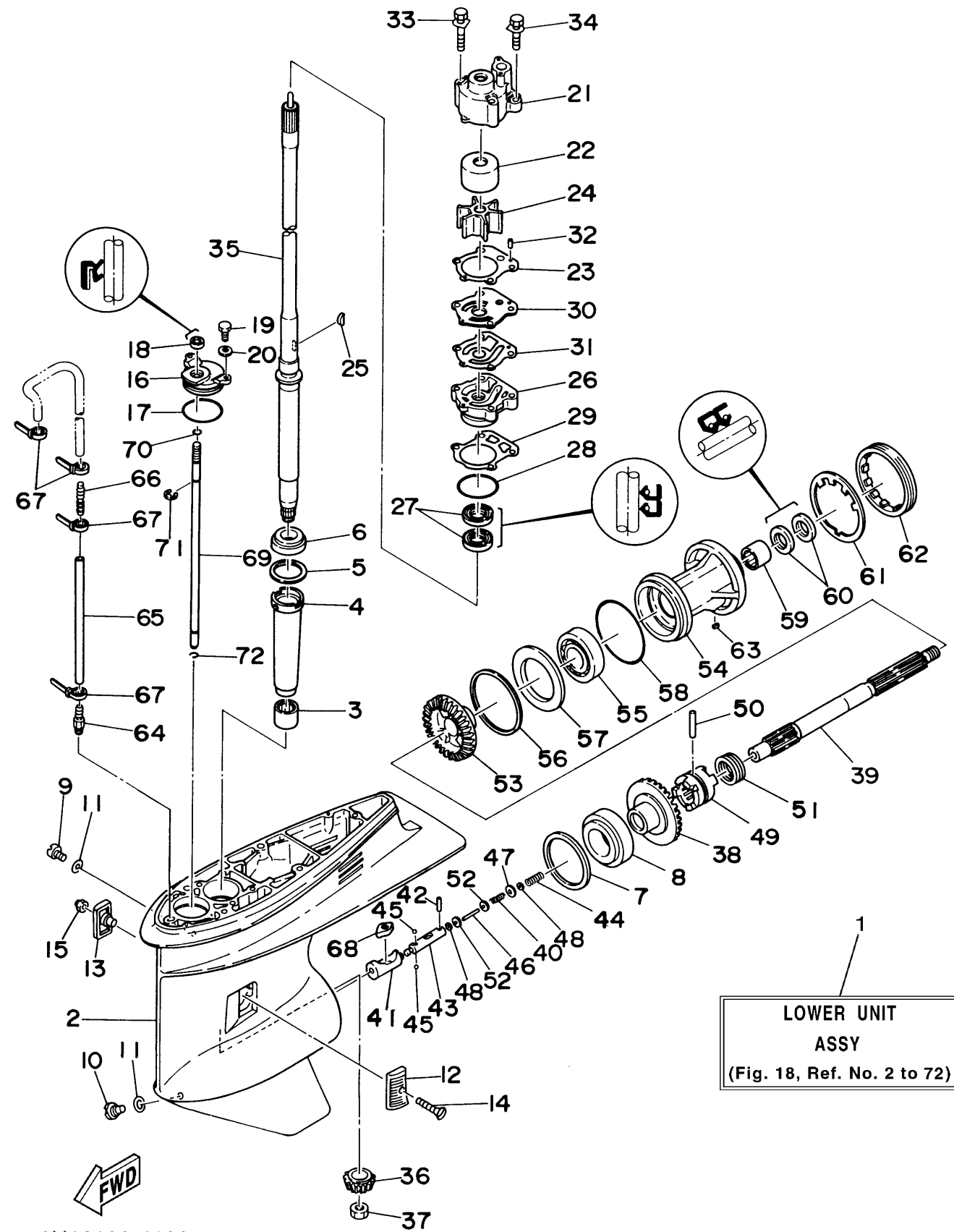
CONTINUED ON NEXT FRAME >



LOWER CASING DRIVE 1

Ref No.	Part Number	Description	Qty	Remarks
49	6H1-45631-01-00	CLUTCH, DOG	1	(90TR)
50	90250-07M02-00	PIN, STRAIGHT	1	(90TR)
51	688-45633-00-00	RING, CROSS PIN	1	(90TR)
52	6H1-45635-00-00	PLUNGER, SHIFT	2	(90TR)
53	6H1-45571-00-00	GEAR 2 (26T)	1	(90TR)
54	688-45331-00-94	HOUSING, BEARING	1	(90TR)
55	93306-207U0-00	.BEARING	1	(90TR)
56	688-45577-01-12	SHIM (T:0.12MM)	1	UR(90TR)
56	688-45577-01-30	SHIM (T:0.30MM)	1	UR(90TR)
56	688-45577-01-50	SHIM (T:0.50MM)	1	UR(90TR)
56	688-45577-01-10	SHIM (T:0.10MM)	1	UR(90TR)
56	688-45577-01-15	SHIM (T:0.15MM)	1	UR(90TR)
56	688-45577-01-18	SHIM (T:0.18MM)	1	UR(90TR)
56	688-45577-01-40	SHIM (T:0.40MM)	1	UR(90TR)
57	688-45576-00-00	WASHER, THRUST	1	(90TR)
58	93210-85M97-00	O-RING	1	(90TR)
59	93317-325U0-00	BEARING	1	(90TR)
60	93101-25M03-00	.OIL SEAL	2	(90TR)
61	688-45383-02-00	WASHER, CLAW	1	(90TR)
62	688-45384-00-00	NUT	1	(90TR)

CONTINUED ON NEXT FRAME >



LOWER CASING DRIVE 1

Ref No.	Part Number	Description	Qty	Remarks
63	90282-04010-00	KEY, STRAIGHT	1	(90TR)
64	6E5-45378-00-00	NIPPLE, HOSE	1	(90TR)
65	90445-07ME9-00	HOSE (L120)	1	L(90TR)
66	6E5-83558-10-00	END, NIPPLE	1	(90TR)
67	90465-11M10-00	CLAMP	4	(90TR)
68	6H1-44151-00-00	CAM, SHIFT	1	(90TR)
69	6H1-44144-00-00	ROD, SHIFT	1	(90TR)
70	93210-07003-00	O-RING	1	(90TR)
71	93430-08006-00	CIRCLIP	1	(90TR)
72	93450-07M00-00	CIRCLIP	1	(90TR)

6H12100-4180
90t1ra