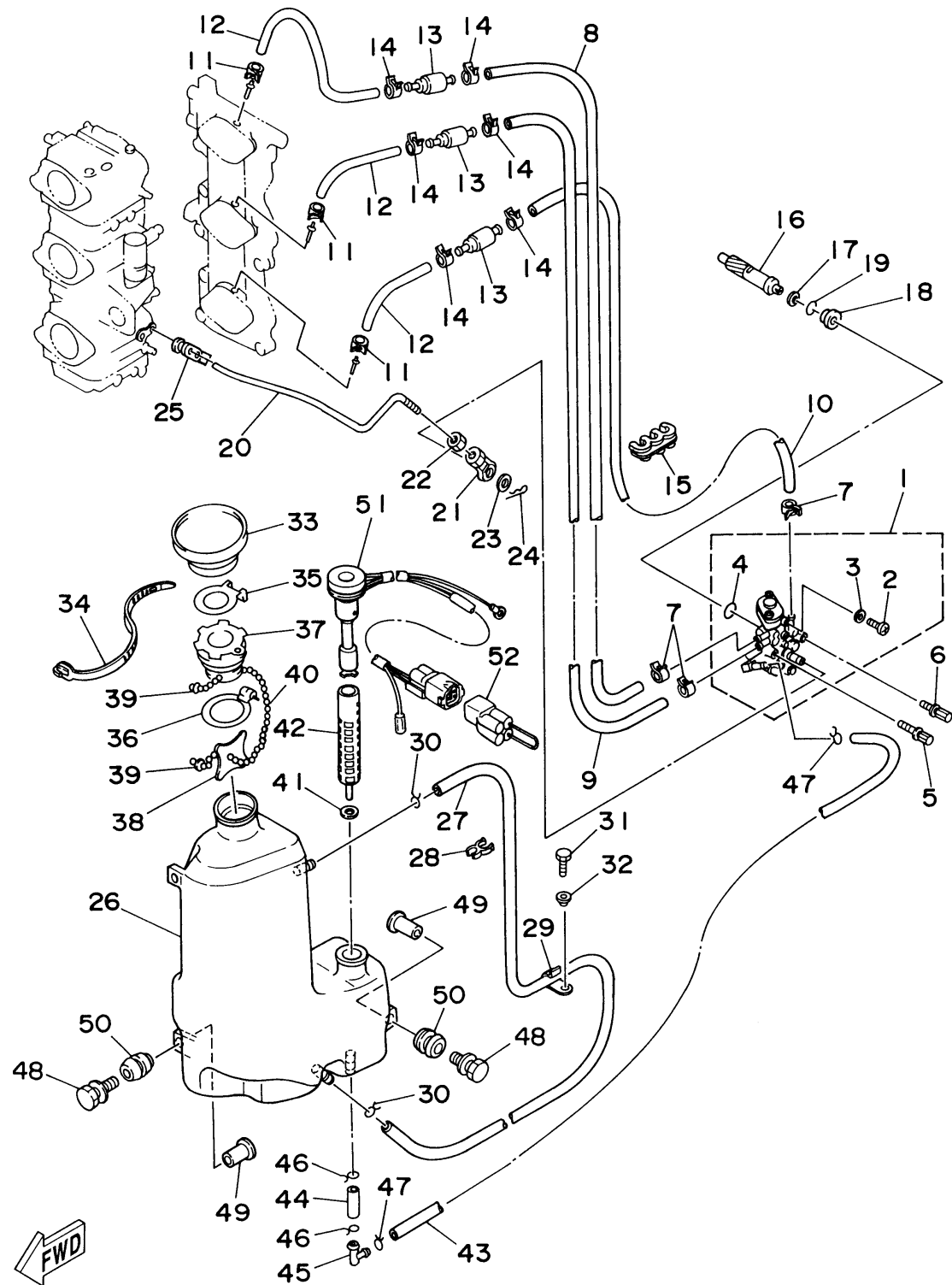


OIL PUMP

Ref No.	Part Number	Description	Qty	Remarks
1	6H1-13200-02-00	OIL INJECTION PUMP ASSY	1	(90TR)
2	6R3-13471-00-00	..PLUG, DRAIN	1	(90TR)
3	6L2-13475-00-00	..GASKET	1	(90TR)
4	93210-19MA7-00	..O-RING	1	(90TR)
5	90109-06M39-00	BOLT	1	(90TR)
6	90109-06M40-00	BOLT	1	(90TR)
7	90468-07M02-00	CLIP	3	(90TR)
8	90445-07M90-00	HOSE (L390)	1	(90TR)
9	90445-07240-00	HOSE (L330)	1	(90TR)
10	90445-07M44-00	HOSE (L250)	1	(90TR)
11	90468-07M02-00	CLIP	3	(90TR)
12	90445-07M87-00	HOSE (L110)	3	(90TR)
13	6E9-13183-70-00	VALVE, CHECK	3	(90TR)
14	90468-07M02-00	CLIP	6	(90TR)
15	90464-07M05-00	CLAMP	1	(90TR)
16	6H1-11537-01-00	GEAR, DRIVEN	1	(90TR)
17	90201-08M93-00	WASHER, PLATE	1	(90TR)
18	6H1-13117-01-00	COLLAR, DISTANCE	1	(90TR)
19	93210-13M04-00	O-RING	1	(90TR)
20	6H1-41241-02-00	ROD, LINK	1	(90TR)

CONTINUED ON NEXT FRAME >



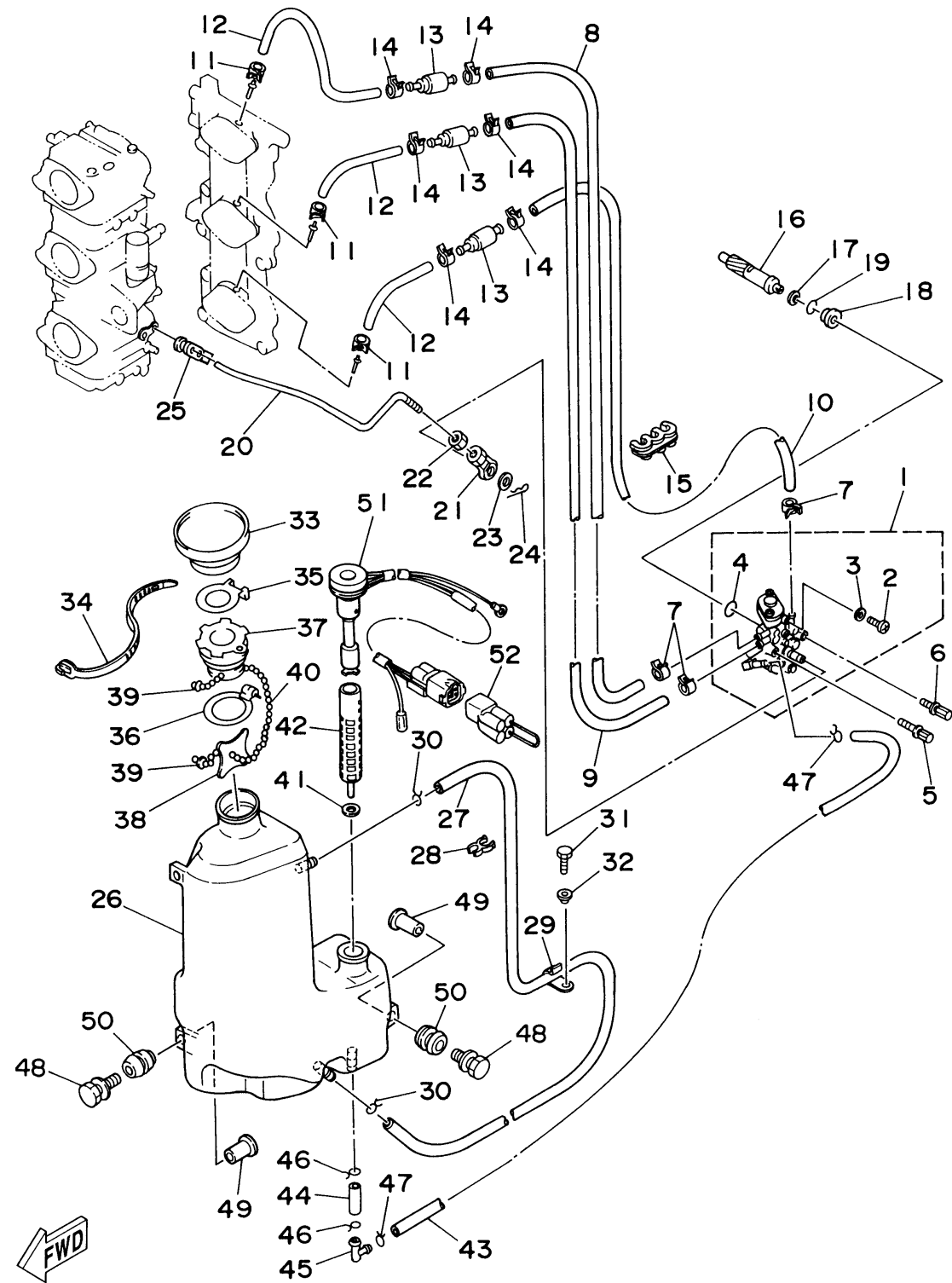
6H10010-0060

90tira

B5

OIL PUMP

Ref No.	Part Number	Description	Qty	Remarks
41	6J8-13414-00-00	GASKET, STRAINER COVER	1	(90TR)
42	6H1-13411-00-00	STRAINER, OIL	1	(90TR)
43	6H1-21766-01-00	PIPE, OIL	1	(90TR)
44	90445-08M01-00	HOSE (L30)	1	(90TR)
45	6H1-13435-00-00	NIPPLE	1	(90TR)
46	90467-12M11-00	CLIP	2	(90TR)
47	90467-08004-00	CLIP	2	(90TR)
48	90119-06M88-00	BOLT, WITH WASHER	3	(90TR)
49	624-42542-00-00	PIPE	3	(90TR)
50	6A0-82317-00-00	DAMPER, IGNITION COIL	3	(90TR)
51	6H1-85720-15-00	OIL LEVEL GAUGE ASSY	1	(90TR)
52	6R5-82582-B0-00	COVER, WIRE HARNESS	1	AP(90TR)



6H10010-0060

90tira

B7