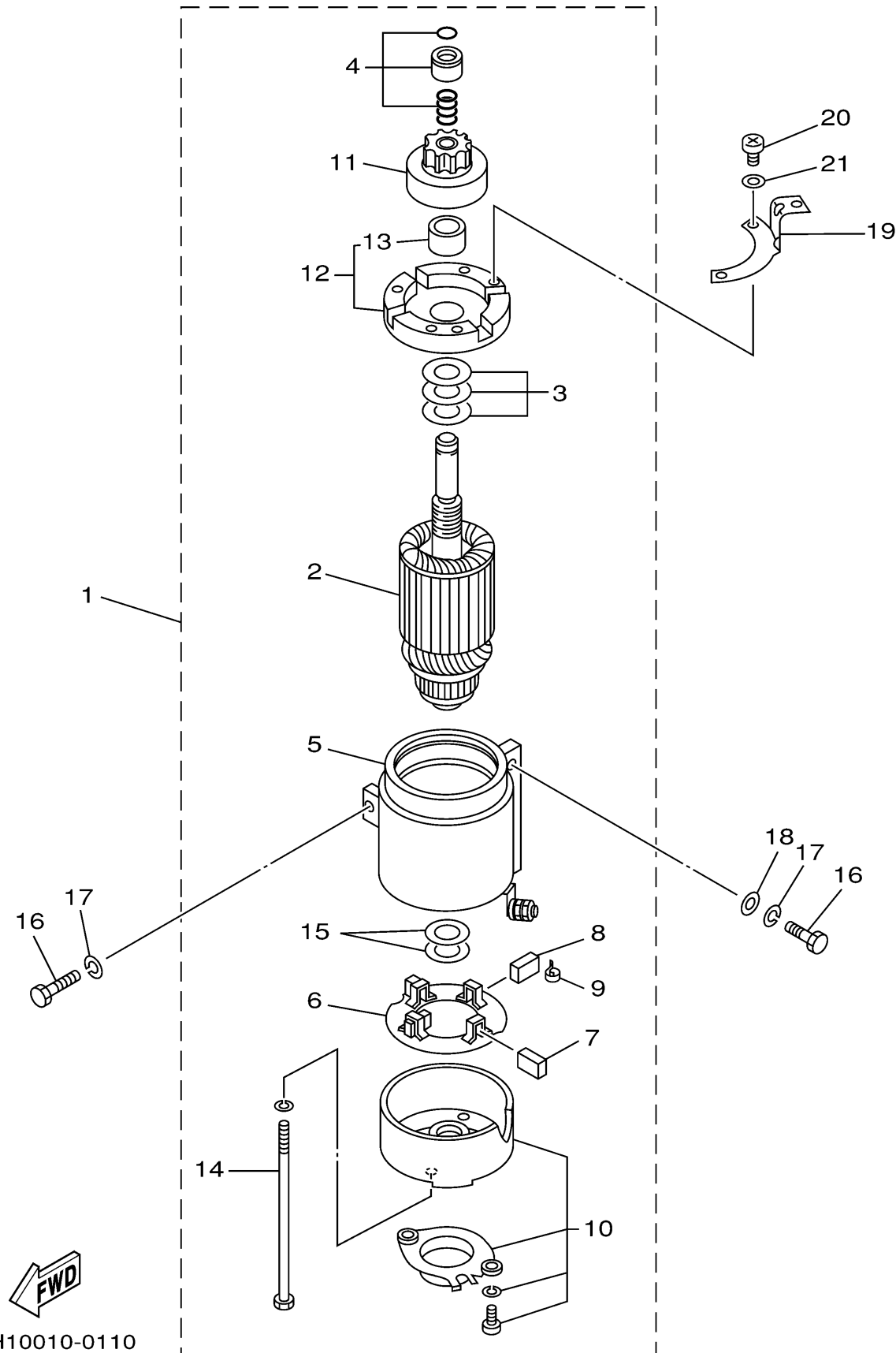


STARTING MOTOR

Ref No.	Part Number	Description	Qty	Remarks
1	688-81800-12-00	STARTING MOTOR ASSY	1	(90TR)
2	676-81850-11-00	..ARMATURE ASSY	1	(90TR)
3	676-81809-10-00	..WASHER KIT	1	(90TR)
4	676-81857-10-00	..PINION STOPPER SET	1	(90TR)
5	688-81810-11-00	..STATOR ASSY	1	(90TR)
6	663-81840-11-00	..BRUSH HOLDER ASSY	1	(90TR)
7	663-81811-11-00	...BRUSH 1	2	(90TR)
8	663-81812-11-00	...BRUSH 2	2	(90TR)
9	663-81813-10-00	...SPRING, BRUSH	4	(90TR)
10	663-81820-12-00	..REAR BRACKET ASSY	1	(90TR)
11	663-81832-11-00	..PINION ASSY	1	(90TR)
12	688-81830-11-00	..FRONT BRACKET ASSY	1	(90TR)
13	688-81831-00-00	...METAL, FRONT	1	(90TR)
14	663-81826-10-00	..BOLT	2	(90TR)
15	688-81824-00-00	..WASHER 2	2	(90TR)
16	97013-08030-00	BOLT	3	(90TR)
17	92903-08100-00	WASHER, SPRING	3	(90TR)
18	92990-08600-00	..WASHER, PLATE	2	(90TR)
19	6H1-15771-00-00	STAY 1	1	(90TR)
20	97885-04010-00	SCREW, PAN HEAD	3	(90TR)

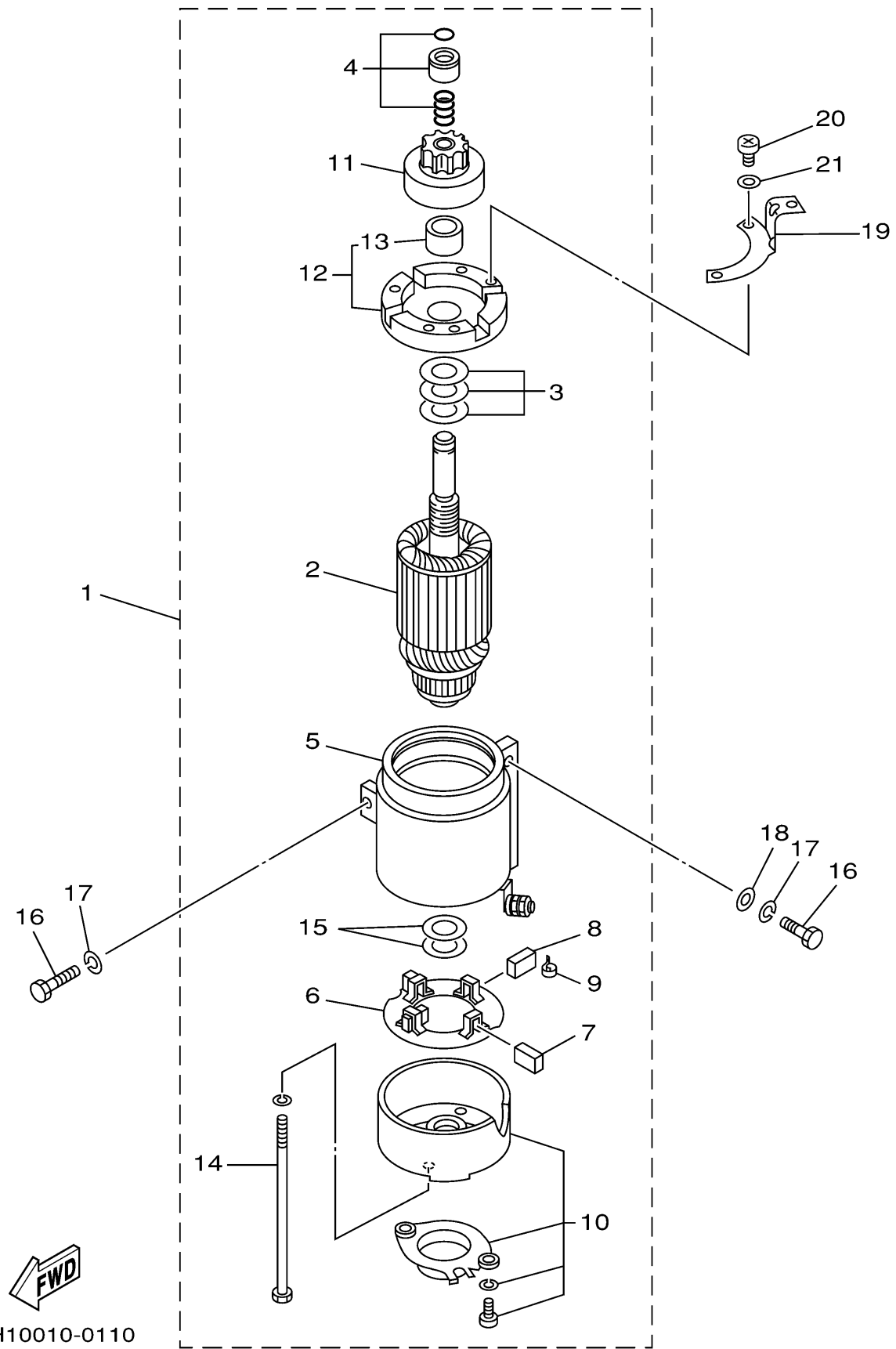
CONTINUED ON NEXT FRAME >



6H10010-0110
90t1ra

STARTING MOTOR

Ref No.	Part Number	Description	Qty	Remarks
21	92995-04600-00	WASHER	3	(90TR)



FWD
 6H10010-0110
 90tira