

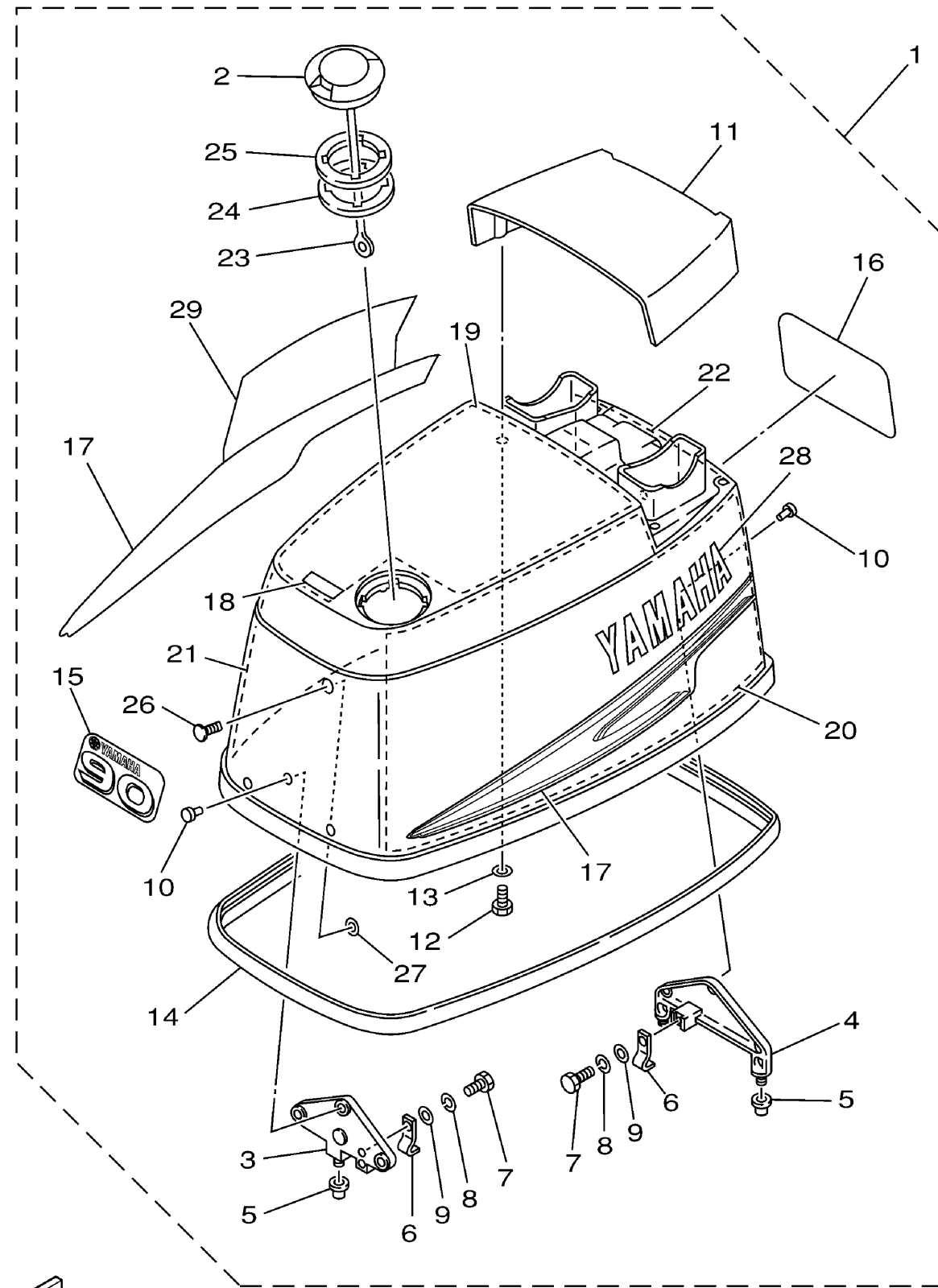
## TOP COWLING

Ref No.	Part Number	Description	Qty	Remarks
1	6H1-42610-80-4D	TOP COWLING ASSY	1	(90TR)
2	63D-2177H-00-00	..DISK CAP 2	1	(90TR)
3	6H1-42647-00-94	..HOLDER, CLAMP BAND	1	(90TR)
4	6H1-42649-00-94	..HOLDER, CLAMP BAND	1	(90TR)
5	663-42662-00-00	..DAMPER	3	(90TR)
6	688-42652-10-00	..HOOK	2	(90TR)
7	97095-06016-00	..BOLT	2	(90TR)
8	92995-06100-00	..WASHER, SPRING	2	(90TR)
9	92995-06600-00	..WASHER	2	(90TR)
10	90266-06009-00	..RIVET	6	(90TR)
11	6H1-42613-01-4D	..MOLDING, AIR DUCT	1	(90TR)
12	97095-06016-00	..BOLT	4	(90TR)
13	92995-06600-00	..WASHER	4	(90TR)
14	688-42615-00-00	..SEAL	1	(90TR)
15	6H1-42677-80-00	..GRAPHIC, FRONT	1	(90TR)
16	6H1-42678-60-00	..GRAPHIC, REAR	1	(90TR)
17	6H1-W0070-60-00	..GRAPHIC SET	1	(90TR)
18	6H1-13436-41-00	..MARK	1	(90TR)
19	6H1-42617-10-00	..DAMPER, FORM	1	(90TR)
20	6H1-42619-00-00	..DAMPER, FORM	1	(90TR)

CONTINUED ON NEXT FRAME >



6H12100-2010  
90tira



## TOP COWLING

Ref No.	Part Number	Description	Qty	Remarks
21	6H1-42627-00-00	..DAMPER, FORM	1	(90TR)
22	6H1-42637-00-00	..DAMPER, FORM	1	(90TR)
23	6H1-42694-00-00	..BAND	1	(90TR)
24	6H3-21732-00-00	..SEAL 1	1	(90TR)
25	6H3-21735-00-00	..SEAL 2	1	(90TR)
26	90338-05M12-00	..PLUG	1	(90TR)
27	90183-05M06-00	..NUT, SPRING	1	(90TR)
28	6H1-42681-50-00	..MARK, COWLING	1	(90TR)
29	6H1-42682-50-00	..MARK, COWLING	1	(90TR)



6H12100-2010  
90tira