

UPPER CASING

Ref No.	Part Number	Description	Qty	Remarks
1	688-45111-04-4D	CASING, UPPER	1	(90TR)
2	663-45155-10-00	CAP	1	(90TR)
3	93606-12019-00	.PIN, DOWEL	2	(90TR)
4	90119-08M80-00	BOLT, WITH WASHER	8	(90TR)
5	688-41137-03-94	GUIDE, EXHAUST	1	(90TR)
6	688-45114-A1-00	GASKET, UPPER CASING	1	(90TR)
7	688-41134-A0-00	GASKET, EXHAUST MANIFOLD	1	(90TR)
8	688-41131-00-5B	MANIFOLD, EXT. 1	1	(90TR)
9	688-41133-00-00	GASKET, EXHAUST MANIFOLD 1	1	(90TR)
10	688-14711-01-5B	MUFFLER 1	1	(90TR)
11	688-45123-00-00	GASKET, MUFFLER	1	(90TR)
12	663-14737-10-00	DAMPER, MUFFLER	1	(90TR)
13	97075-08030-00	BOLT	7	(90TR)
14	92995-08100-00	WASHER	7	(90TR)
15	97075-08025-00	BOLT	1	(90TR)
16	92995-08100-00	WASHER	1	(90TR)
17	90119-08M79-00	BOLT, WITH WASHER	2	(90TR)
18	97075-08035-00	BOLT	2	(90TR)
19	92995-08100-00	WASHER	2	(90TR)
20	688-45113-A0-00	GASKET, UPPER CASING	1	(90TR)

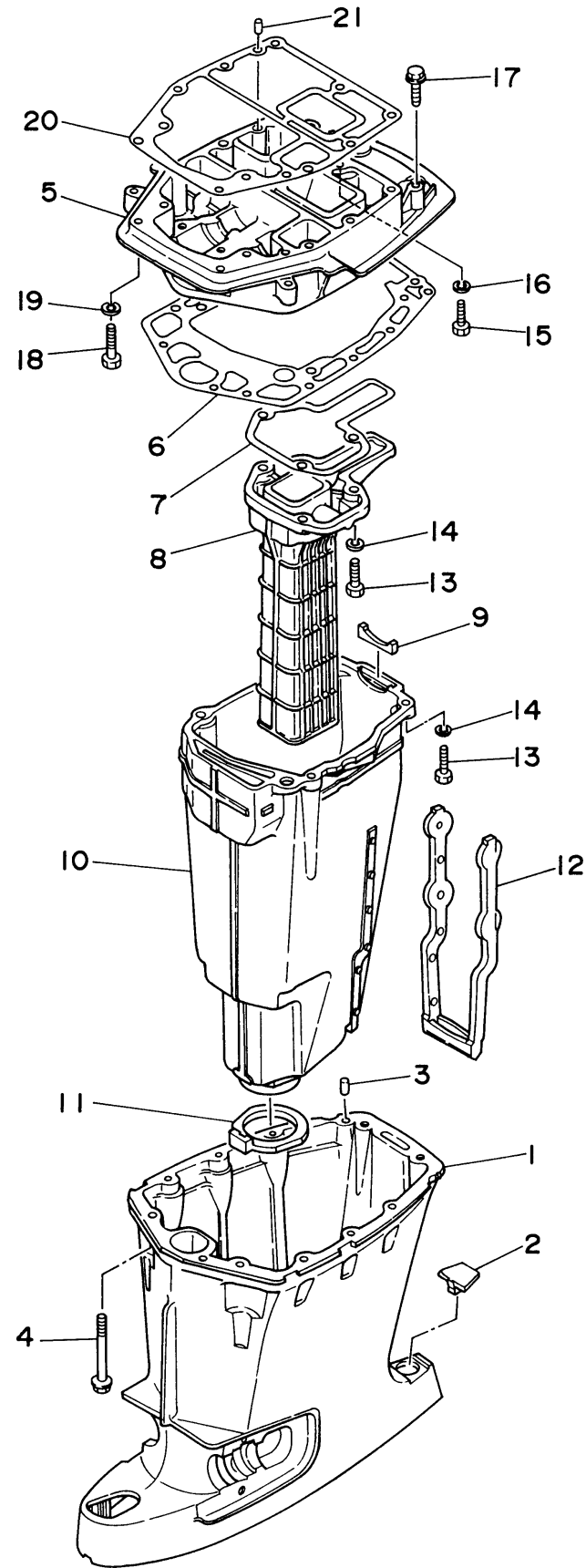
CONTINUED ON NEXT FRAME >



6H10110-4190

90tIra

D9



UPPER CASING

Ref No.	Part Number	Description	Qty	Remarks
21	93606-12019-00	.PIN, DOWEL	2	(90TR)



6H10110-4190

90tira

D10