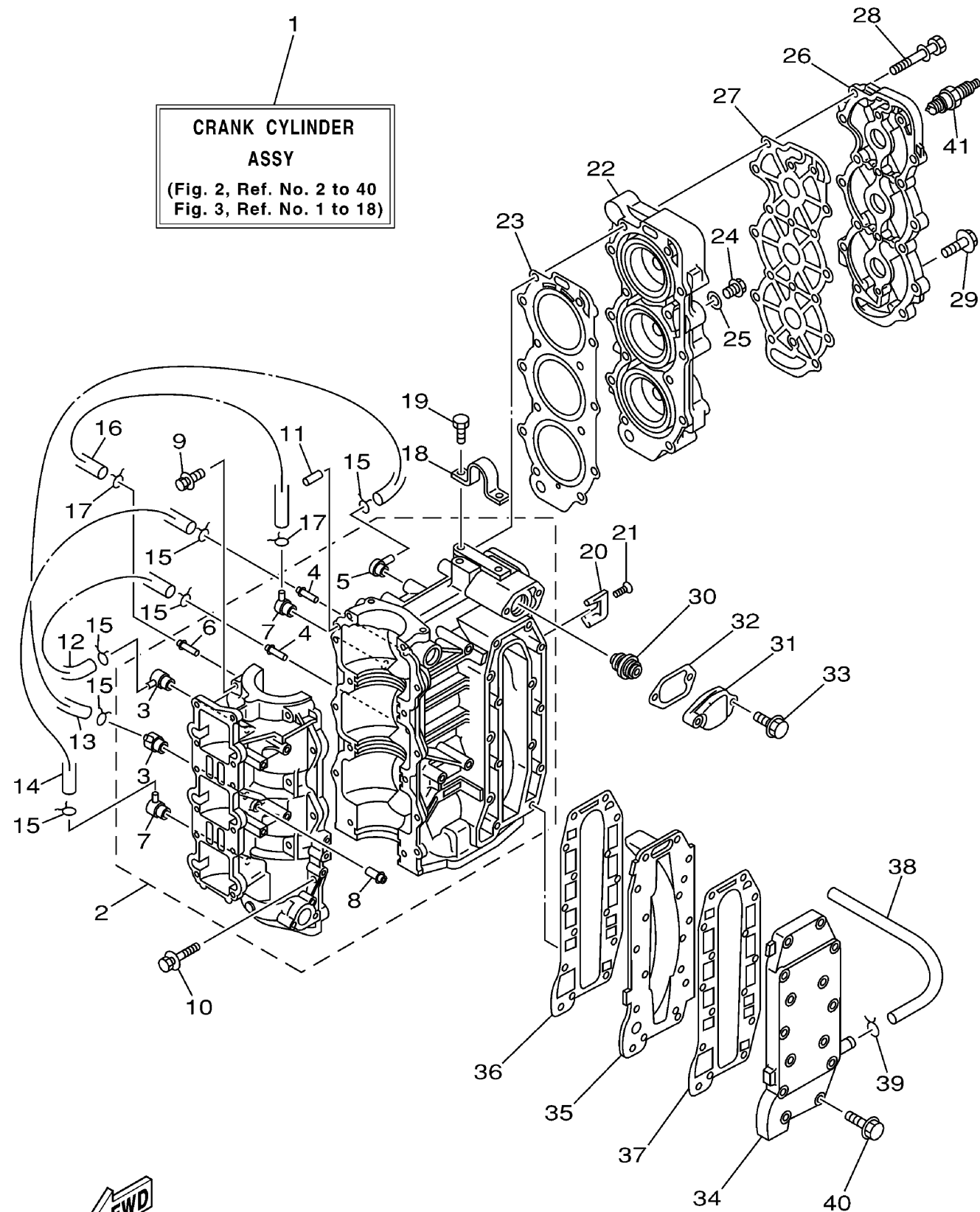


CYLINDER CRANKCASE

Ref No.	Part Number	Description	Qty	Remarks
1	63D-W0090-21-1S	CRANK CYLINDER ASSY	1	E-N.O/I SPEC(C40)
2	6H4-15100-20-1S	CRANKCASE ASSY	1	E-N.O/I SPEC(C40)
3	650-11370-00-00	. CHECK VALVE ASSY	2	(C40)
4	624-14485-00-00	. .PIPE, JOINT	2	(C40)
5	6H4-11372-00-00	. .NIPPLE, HOSE	1	(C40)
6	624-14485-00-00	. .PIPE, JOINT	1	(C40)
7	688-11370-00-00	. CHECK VALVE ASSY	2	(C40)
8	650-24378-00-00	. .PIPE, JOINT 4	1	(C40)
9	90119-08019-00	BOLT, WITH WASHER	8	(C40)
10	90119-06M13-00	BOLT, WITH WASHER	6	(C40)
11	93606-12019-00	.PIN, DOWEL	2	(C40)
12	90445-07M46-00	HOSE (L360)	1	(C40)
13	90445-07M27-00	HOSE (L310)	1	(C40)
14	90445-07M24-00	HOSE (L240)	1	(C40)
15	90467-06016-00	CLIP	6	(C40)
16	90445-07MA3-00	HOSE (L200)	1	(C40)
17	90467-06016-00	CLIP	2	(C40)
18	6H4-11119-01-00	HANGER, ENGINE	1	(C40)
19	90101-06021-00	BOLT	2	(C40)
20	688-11325-00-00	ANODE	2	(C40)

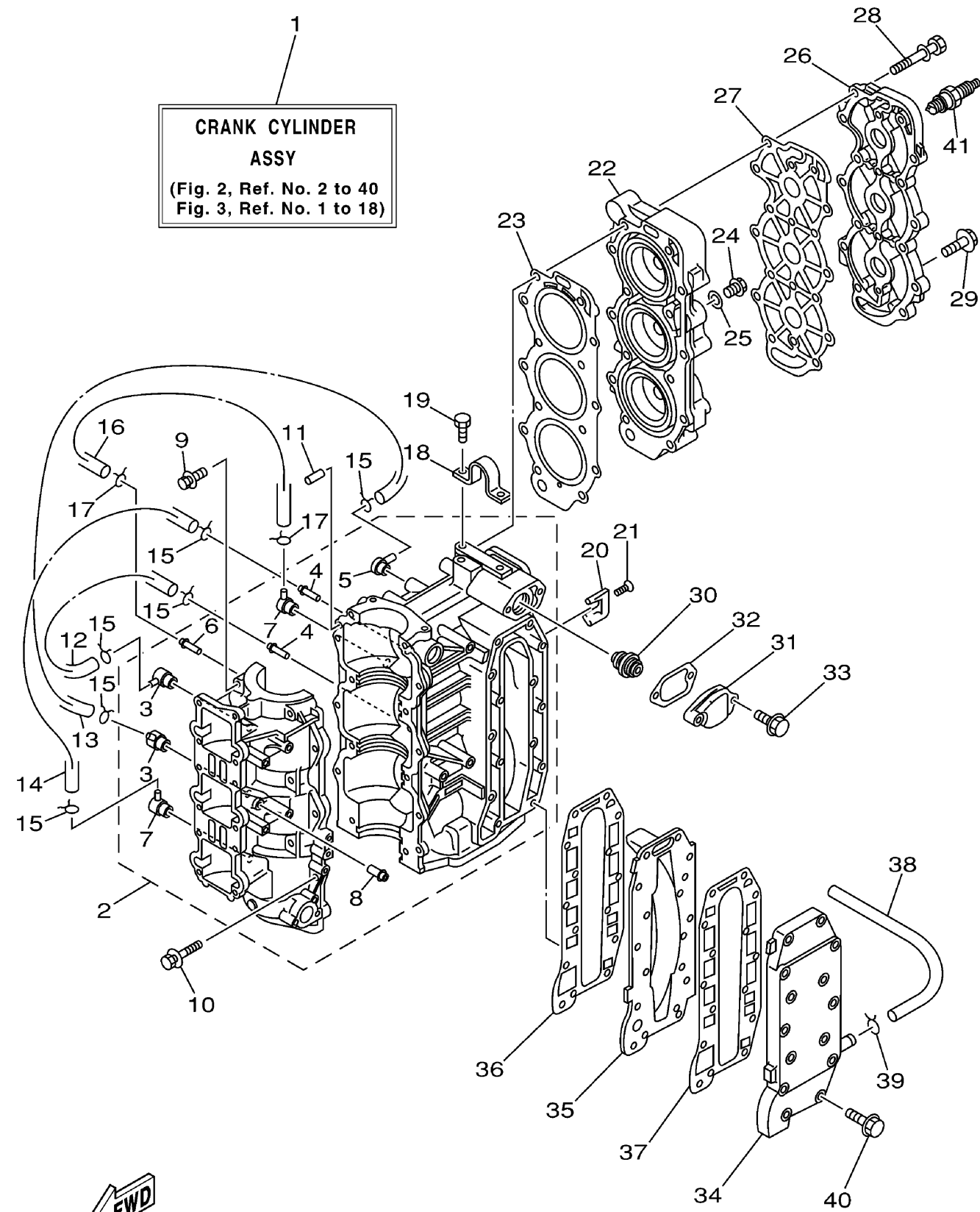
CONTINUED ON NEXT FRAME >



CYLINDER CRANKCASE

Ref No.	Part Number	Description	Qty	Remarks
21	98780-04016-00	SCREW, FLAT HEAD	2	(C40)
22	63D-11111-00-1S	HEAD, CYLINDER 1	1	(C40)
23	63D-11181-A1-00	.GASKET, CYLINDER HEAD 1	1	(C40)
24	90340-14M00-00	.PLUG, STRAIGHT SCREW	1	(C40)
25	90430-14115-00	.GASKET	1	(C40)
26	63D-11191-00-1S	COVER, CYLINDER HEAD 1	1	(C40)
27	63D-11193-A0-00	.GASKET, HEAD COVER 1	1	(C40)
28	90119-08015-00	BOLT, WITH WASHER	14	(C40)
29	90119-06MA3-00	BOLT, WITH WASHER	4	(C40)
30	6E5-12411-20-00	THERMOSTAT	1	(C40)
31	6H4-12413-00-1S	COVER, THERMOSTAT	1	(C40)
32	6J8-12414-A0-00	GASKET, COVER	1	(C40)
33	90119-06MA3-00	BOLT, WITH WASHER	2	(C40)
34	6H4-41113-00-1S	OUTER COVER, EXHAUST	1	(C40)
35	6H4-41111-00-1S	INNER COVER, EXHAUST	1	(C40)
36	6H4-41112-A0-00	.GASKET, EXHAUST INNER COVER	1	(C40)
37	6H4-41114-A0-00	GASKET, EXHAUST COVER	1	(C40)
38	90445-09M37-00	HOSE (L240)	1	(C40)
39	90467-08004-00	CLIP	1	(C40)
40	90119-06MA5-00	BOLT, WITH WASHER	14	(C40)

CONTINUED ON NEXT FRAME >



CYLINDER CRANKCASE

Ref No.	Part Number	Description	Qty	Remarks
41	NGK-B7HS1-00-00	PLUG, SPARK (NGK B7HS-10)	3	(C40)