

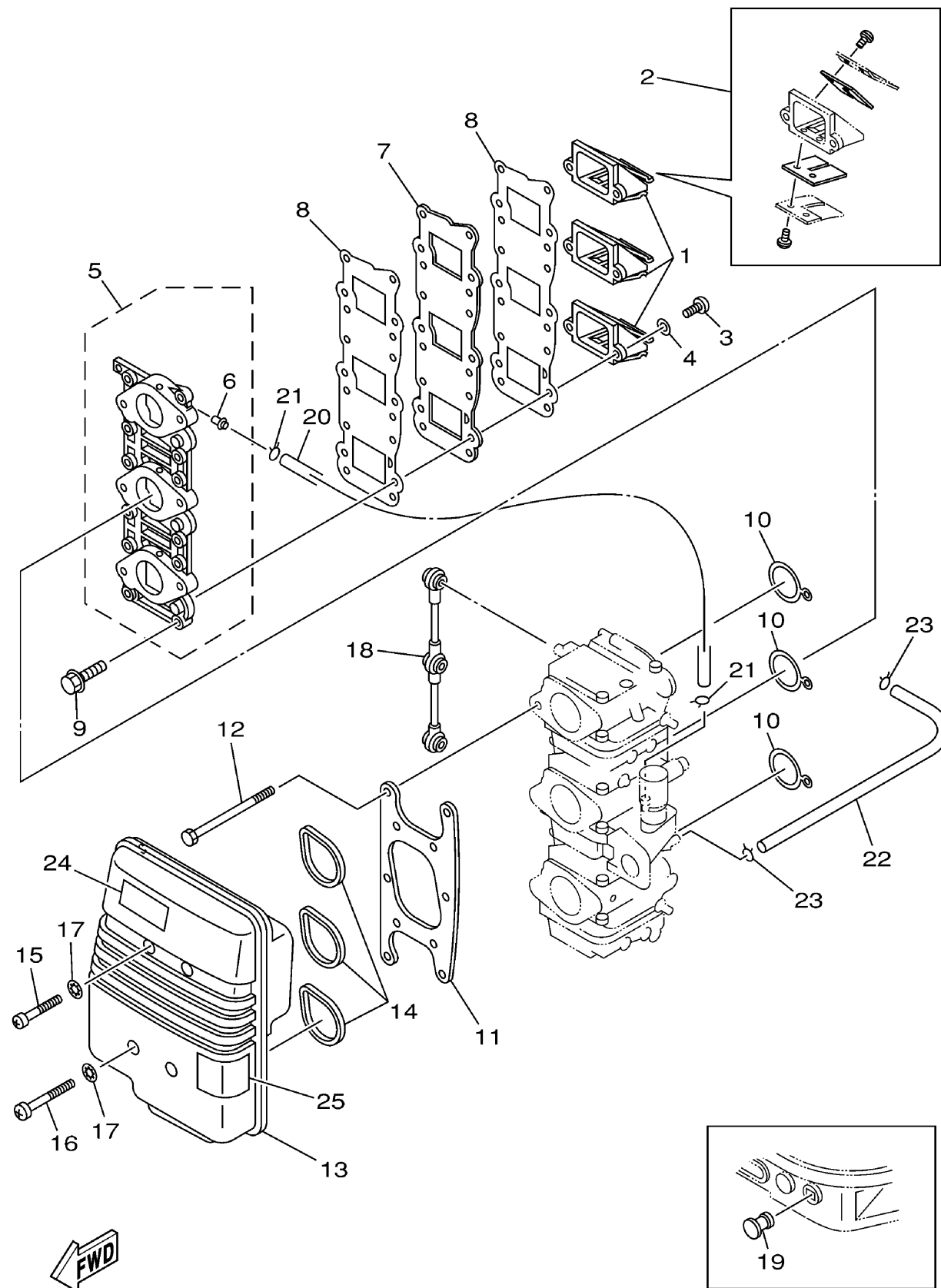
INTAKE

Ref No.	Part Number	Description	Qty	Remarks
1	6H5-13610-00-00	REED VALVE ASSY	3	(C40)
2	6H4-W0004-00-00	.REED SET	1	(C40)
3	97880-05014-00	.SCREW, PAN HEAD	6	(C40)
4	92990-05600-00	WASHER, PLATE	6	(C40)
5	6H4-13641-02-94	MANIFOLD 1	1	(C40)
6	6H1-14485-00-00	.PIPE, JOINT	1	(C40)
7	6H4-13624-01-94	PLATE, REED VALVE	1	(C40)
8	6H4-13621-A1-00	GASKET, VALVE SEAT	2	(C40)
9	90119-06MA2-00	BOLT, WITH WASHER	12	(C40)
10	6H4-14198-01-00	.GASKET	3	(C40)
11	6H4-14406-00-00	HINGE	1	(C40)
12	97095-06095-00	BOLT	6	(C40)
13	6H4-14431-02-00	SILENCER, INTAKE 1	1	(C40)
14	6H3-14457-01-00	SEAL	3	(C40)
15	97885-06040-00	SCREW, PAN HEAD	2	(C40)
16	97885-06055-00	SCREW, PAN HEAD	2	(C40)
17	90209-06M05-00	WASHER	4	(C40)
18	6H4-41217-01-00	ROD, ACCEL. LEVER	1	(C40)
19	6G1-42748-00-00	GROMMET	1	(C40)
20	90445-07MA5-00	HOSE (L150)	1	(C40)

CONTINUED ON NEXT FRAME >



63D4110-2040
c40t1ra



INTAKE

Ref No.	Part Number	Description	Qty	Remarks
21	90467-06016-00	CLIP	2	(C40)
22	6H3-14349-00-00	.PIPE	1	(C40)
23	90467-08004-00	CLIP	2	(C40)
24	6A1-83625-41-00	MARK 5	1	(C40)
25	6H1-85711-60-00	MARK, CAUTION	1	(C40)

63D4110-2040
c40t1ra