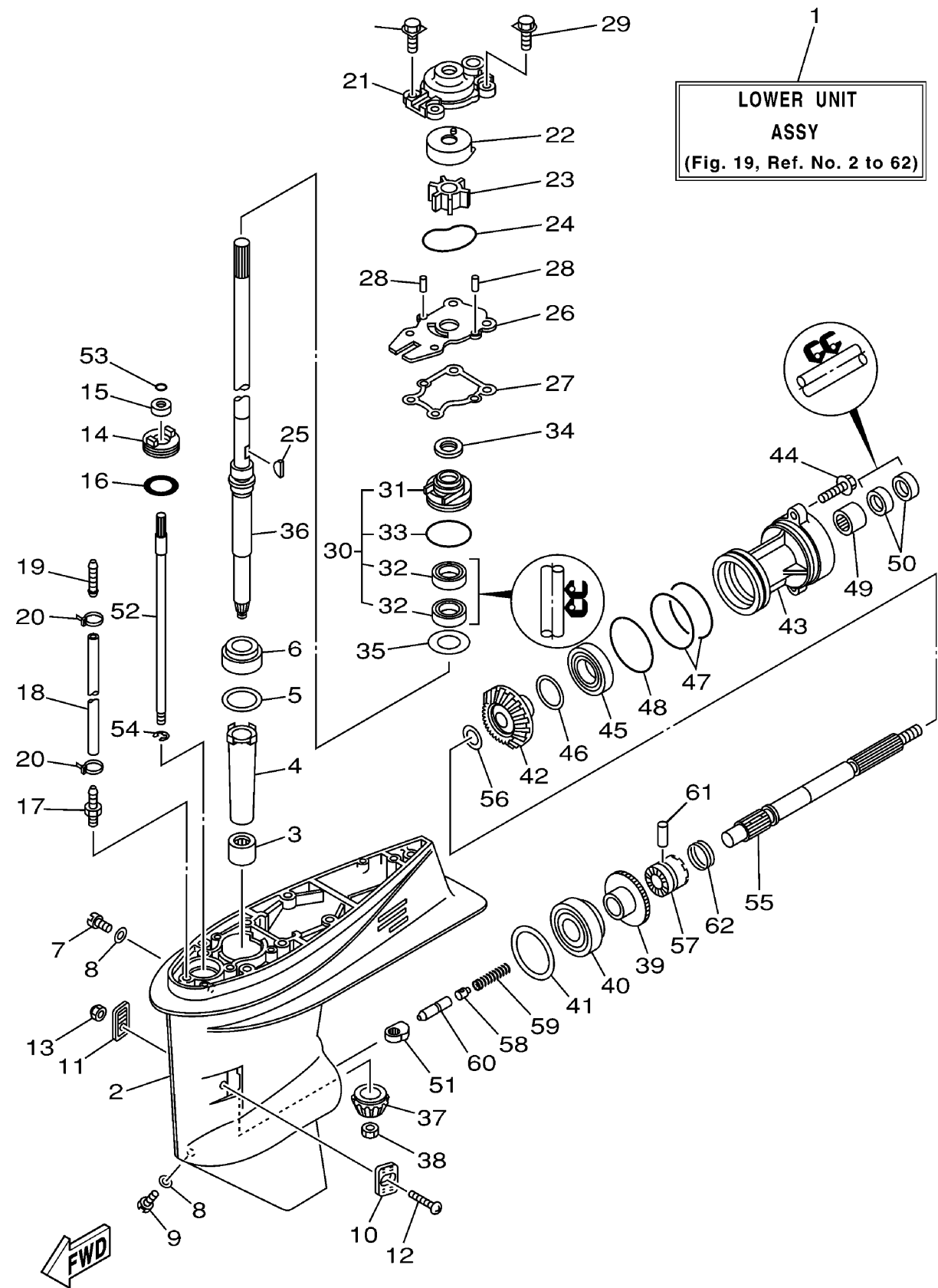


# LOWER CASING DRIVE 1

Ref No.	Part Number	Description	Qty	Remarks
1	63D-45300-12-4D	LOWER UNIT ASSY	1	L(C40)
2	63D-45301-03-4D	CASING, LOWER	1	(C40)
3	93315-32224-00	BEARING	1	(C40)
4	6H4-45536-00-00	SLEEVE, DRIVE SHAFT	1	(C40)
5	663-45587-01-12	SHIM (T:0.12MM)	1	UR(C40)
5	663-45587-01-10	SHIM (T:0.10MM)	1	UR(C40)
5	663-45587-01-15	SHIM (T:0.15MM)	1	UR(C40)
5	663-45587-01-50	SHIM (T:0.50MM)	1	UR(C40)
5	663-45587-01-40	SHIM (T:0.40MM)	1	UR(C40)
5	663-45587-01-18	SHIM (T:0.18MM)	1	UR(C40)
5	663-45587-01-30	SHIM (T:0.30MM)	1	UR(C40)
6	93332-00001-00	BEARING	1	(C40)
7	90340-08M04-00	PLUG, STRAIGHT SCREW	1	(C40)
8	90430-08020-00	.GASKET	2	(C40)
9	688-45341-00-00	PLUG, DRAIN	1	(C40)
10	63D-45214-00-00	COVER, WATER INLET 1	1	(C40)
11	63D-45215-00-00	COVER, WATER INLET 2	1	(C40)
12	90142-05M06-00	SCREW, COUNTERSUNK	1	(C40)
13	95380-05600-00	NUT	1	(C40)
14	63D-45321-00-00	PLATE	1	(C40)

CONTINUED ON NEXT FRAME >

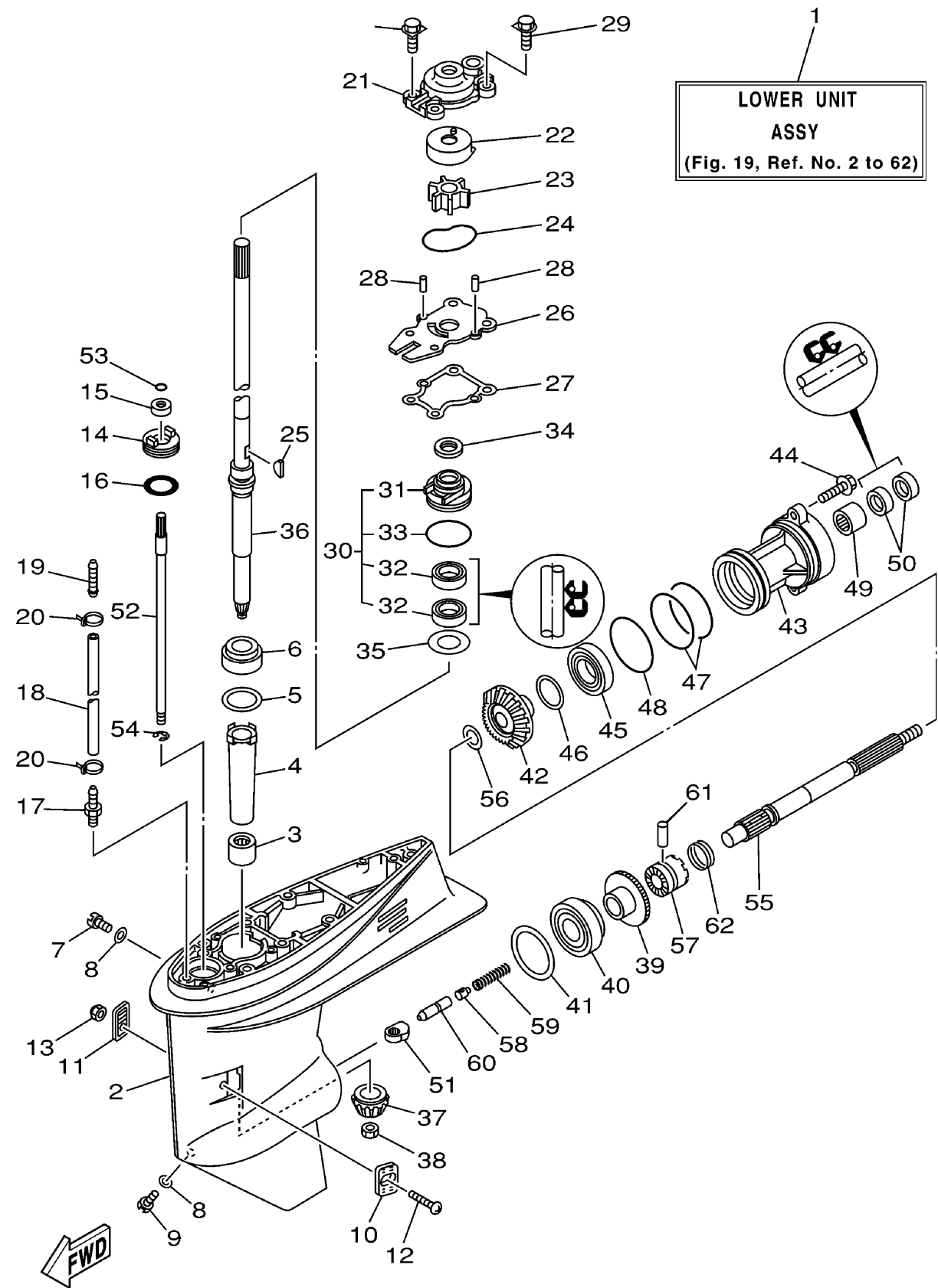


1  
**LOWER UNIT  
 ASSY**  
 (Fig. 19, Ref. No. 2 to 62)

# LOWER CASING DRIVE 1

Ref No.	Part Number	Description	Qty	Remarks
15	93106-09014-00	.OIL SEAL	1	(C40)
16	93210-33MG4-00	.O-RING	1	(C40)
17	6E5-45378-00-00	NIPPLE, HOSE	1	(C40)
18	90445-07M31-00	HOSE (L200)	1	L(C40)
19	6E5-83558-10-00	END, NIPPLE	1	(C40)
20	90465-11M10-00	CLAMP	2	(C40)
21	63D-44311-00-00	HOUSING, WATER PUMP	1	(C40)
22	63D-44322-00-00	.INSERT, CARTRIDGE	1	(C40)
23	6H3-44352-00-00	.IMPELLER	1	(C40)
24	93210-59MG7-00	.O-RING	1	(C40)
25	90280-03024-00	.KEY, WOODRUFF	1	(C40)
26	63D-44323-00-00	.OUTER PLATE, CARTRIDGE	1	(C40)
27	63D-44316-00-00	.GASKET, WATER PUMP	1	(C40)
28	93604-08062-00	PIN, DOWEL	2	(C40)
29	90119-08M15-00	.BOLT, WITH WASHER	4	(C40)
30	63D-W4434-00-00	WATER PUMP HOUSING ASSY	1	(C40)
31	63D-44341-00-00	. HOUSING, WATER PUMP	1	(C40)
32	93101-25M57-00	. .OIL SEAL	2	(C40)
33	93210-48MG8-00	. O-RING	1	(C40)
34	63D-45344-00-00	COVER, OIL SEAL	1	(C40)

CONTINUED ON NEXT FRAME >

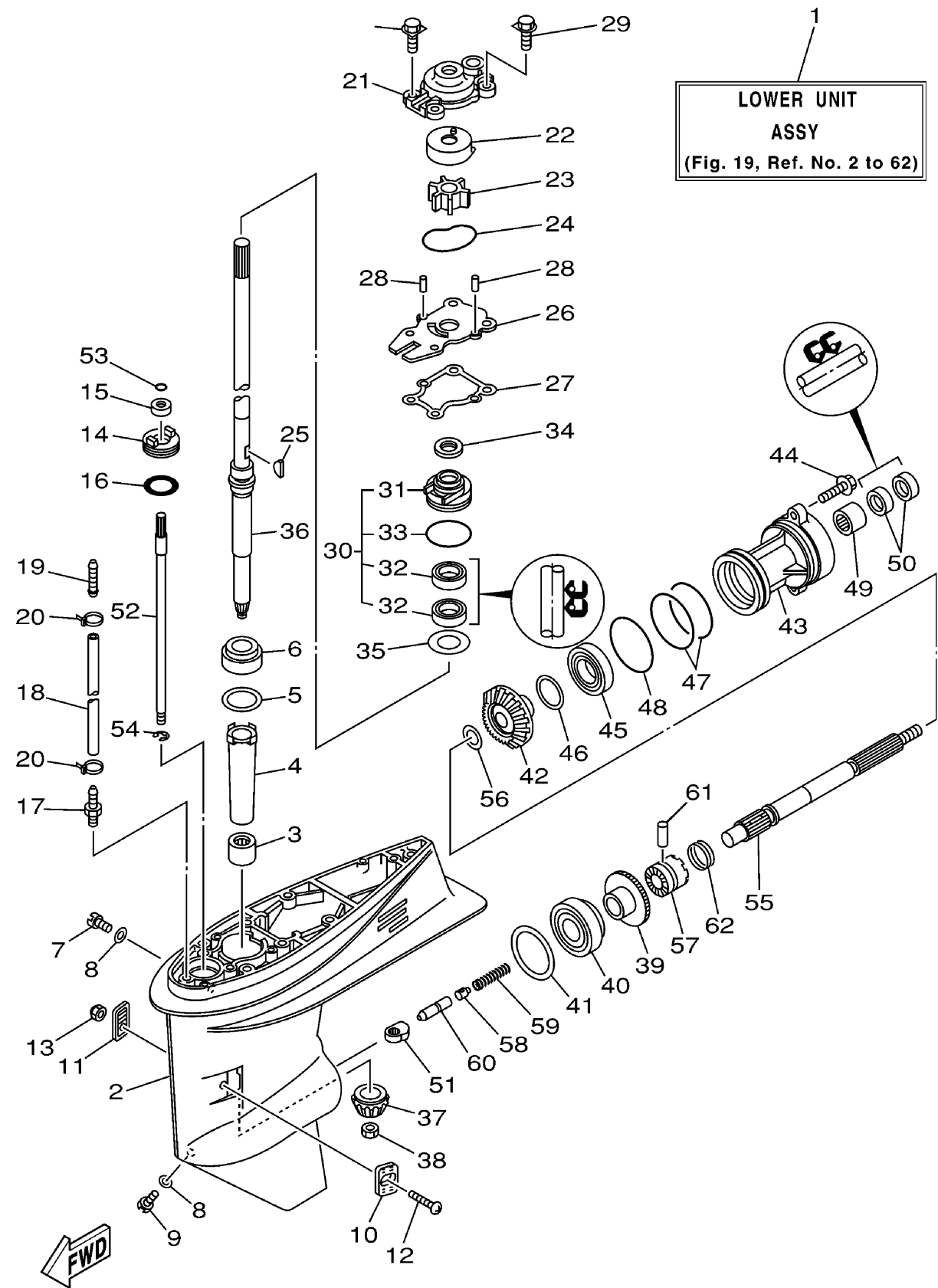


1  
**LOWER UNIT  
 ASSY**  
 (Fig. 19, Ref. No. 2 to 62)

# LOWER CASING DRIVE 1

Ref No.	Part Number	Description	Qty	Remarks
35	90201-27M00-00	WASHER, PLATE	1	(C40)
36	63D-45501-10-00	DRIVE SHAFT COMP.	1	L(C40)
37	6H4-45551-01-00	PINION (13T)	1	(C40)
38	90170-12138-00	NUT	1	(C40)
39	6H4-45560-01-00	GEAR 1 (24T)	1	(C40)
40	93332-00003-00	BEARING	1	(C40)
41	663-45567-01-10	SHIM (T:0.10MM)	1	UR(C40)
41	663-45567-01-12	SHIM (T:0.12MM)	1	UR(C40)
41	663-45567-01-15	SHIM (T:0.15MM)	1	UR(C40)
41	663-45567-01-18	SHIM (T:0.18MM)	1	UR(C40)
41	663-45567-01-30	SHIM (T:0.30MM)	1	UR(C40)
41	663-45567-01-40	SHIM (T:0.40MM)	1	UR(C40)
41	663-45567-01-50	SHIM (T:0.50MM)	1	UR(C40)
42	6H4-45571-01-00	GEAR 2 (24T)	1	(C40)
43	63D-45361-02-4D	CAP, LOWER CASING	1	(C40)
44	90105-08M61-00	BOLT, FLANGE	2	(C40)
45	93306-001U1-00	BEARING	1	(C40)
46	63D-45577-00-10	SHIM (T:0.10MM)	1	UR(C40)
46	63D-45577-00-12	SHIM (T:0.12MM)	1	UR(C40)
46	63D-45577-00-15	SHIM (T:0.15MM)	1	UR(C40)

CONTINUED ON NEXT FRAME >



1  
**LOWER UNIT  
 ASSY**  
 (Fig. 19, Ref. No. 2 to 62)

## LOWER CASING DRIVE 1

Ref No.	Part Number	Description	Qty	Remarks
46	63D-45577-00-18	SHIM (T:0.18MM)	1	UR(C40)
46	63D-45577-00-30	SHIM (T:0.30MM)	1	UR(C40)
46	63D-45577-00-40	SHIM (T:0.40MM)	1	UR(C40)
46	63D-45577-00-50	SHIM (T:0.50MM)	1	UR(C40)
47	93210-74MG5-00	.O-RING	2	(C40)
48	93210-69MG6-00	.O-RING	1	(C40)
49	93317-22204-00	BEARING	1	(C40)
50	93101-22M00-00	.OIL SEAL	2	(C40)
51	663-44151-00-00	CAM, SHIFT	1	(C40)
52	63D-44144-00-00	ROD, SHIFT	1	(C40)
53	93210-07003-00	O-RING	1	(C40)
54	93430-08006-00	CIRCLIP	1	(C40)
55	63D-45611-00-00	SHAFT, PROPELLER	1	(C40)
56	90201-22429-00	WASHER, PLATE	1	(C40)
57	63D-45631-01-00	CLUTCH, DOG	1	(C40)
58	663-45634-00-00	SLIDE, SHIFT	1	(C40)
59	90501-16M01-00	SPRING, COMPRESSION	1	(C40)
60	63D-45635-00-00	PLUNGER, SHIFT	1	(C40)
61	90250-06023-00	PIN, STRAIGHT	1	(C40)
62	663-45633-00-00	RING, CROSS PIN	1	(C40)

63D4110-2190  
 c40tira