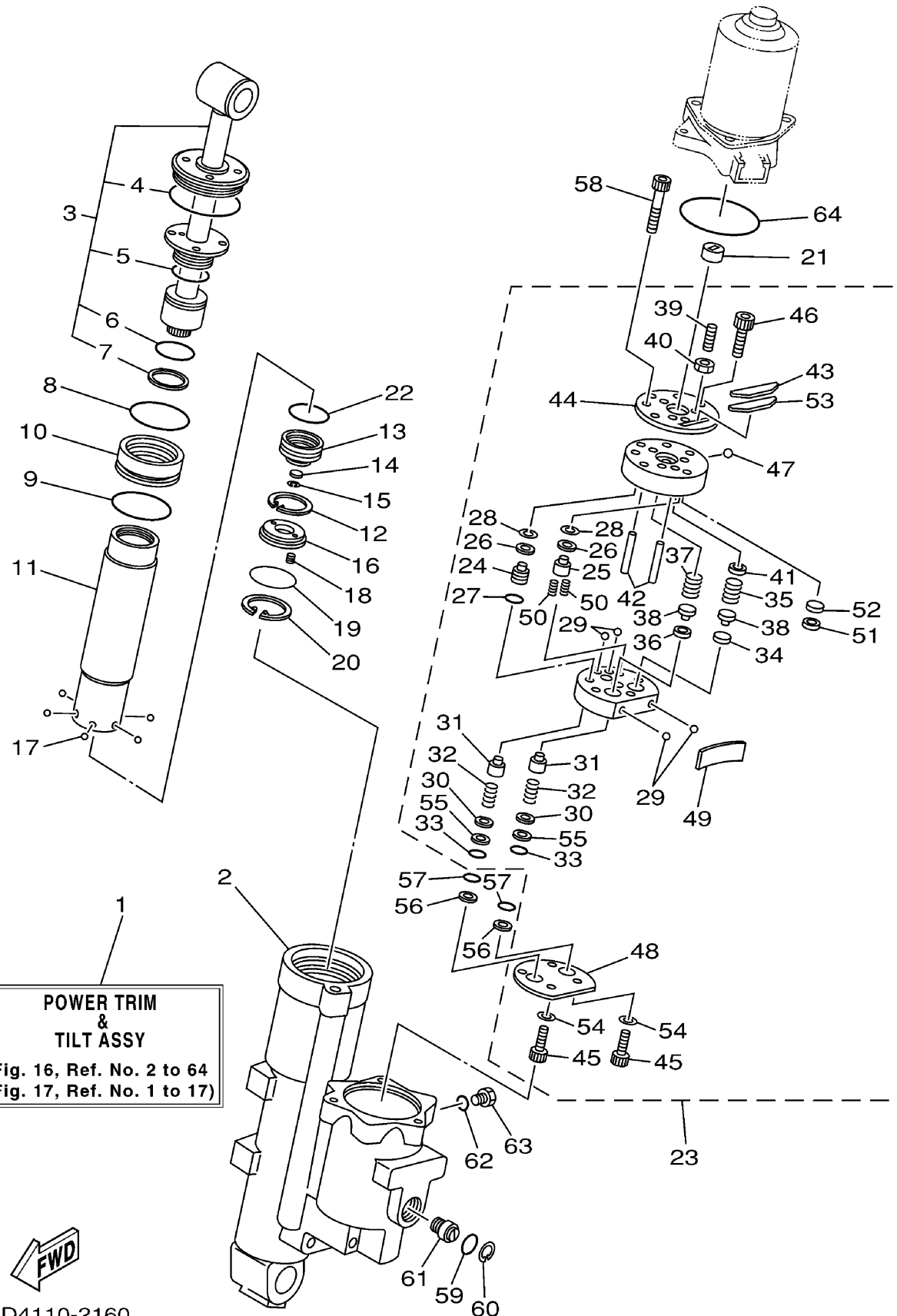


POWER TRIM TILT ASSY 1

Ref No.	Part Number	Description	Qty	Remarks
1	62Y-43800-00-4D	POWER TRIM & TILT ASSY	1	(C40)
2	CS3-4380K-00-00	CYLINDER, TILT SUB ASSY	1	(C40)
3	62X-43810-01-00	TILT PISTON SUB ASSY	1	(C40)
4	62X-43861-00-00	.O-RING	1	(C40)
5	62X-43862-00-00	...O-RING	1	(C40)
6	93210-29375-00	.O-RING	1	(C40)
7	62X-43871-00-00	.RING, BACK UP	1	(C40)
8	93210-44383-00	O-RING	1	(C40)
9	93210-48214-00	.O-RING	1	(C40)
10	62X-4388A-00-00	PISTON, TRIM	1	(C40)
11	CS3-22471-00-00	CYLINDER, SHOCK ABSORBER	1	(C40)
12	67F-43875-00-00	RING, SNAP	1	(C40)
13	CS3-43814-00-00	PISTON, FREE	1	(C40)
14	6H1-4384G-11-00	.SEAL, RELIEF VALVE	1	(C40)
15	61A-43875-00-00	.RING, SNAP	1	(C40)
16	62X-43899-00-00	PLATE STOPPER	1	(C40)
17	93503-16003-00	BALL	6	(C40)
18	62X-4384H-00-00	SPRING	2	(C40)
19	1UF-22434-00-00	PLATE, VALVE 1	1	(C40)
20	62X-43875-00-00	RING, SNAP	1	(C40)

CONTINUED ON NEXT FRAME >



POWER TRIM & TILT ASSY
 (Fig. 16, Ref. No. 2 to 64
 Fig. 17, Ref. No. 1 to 17)

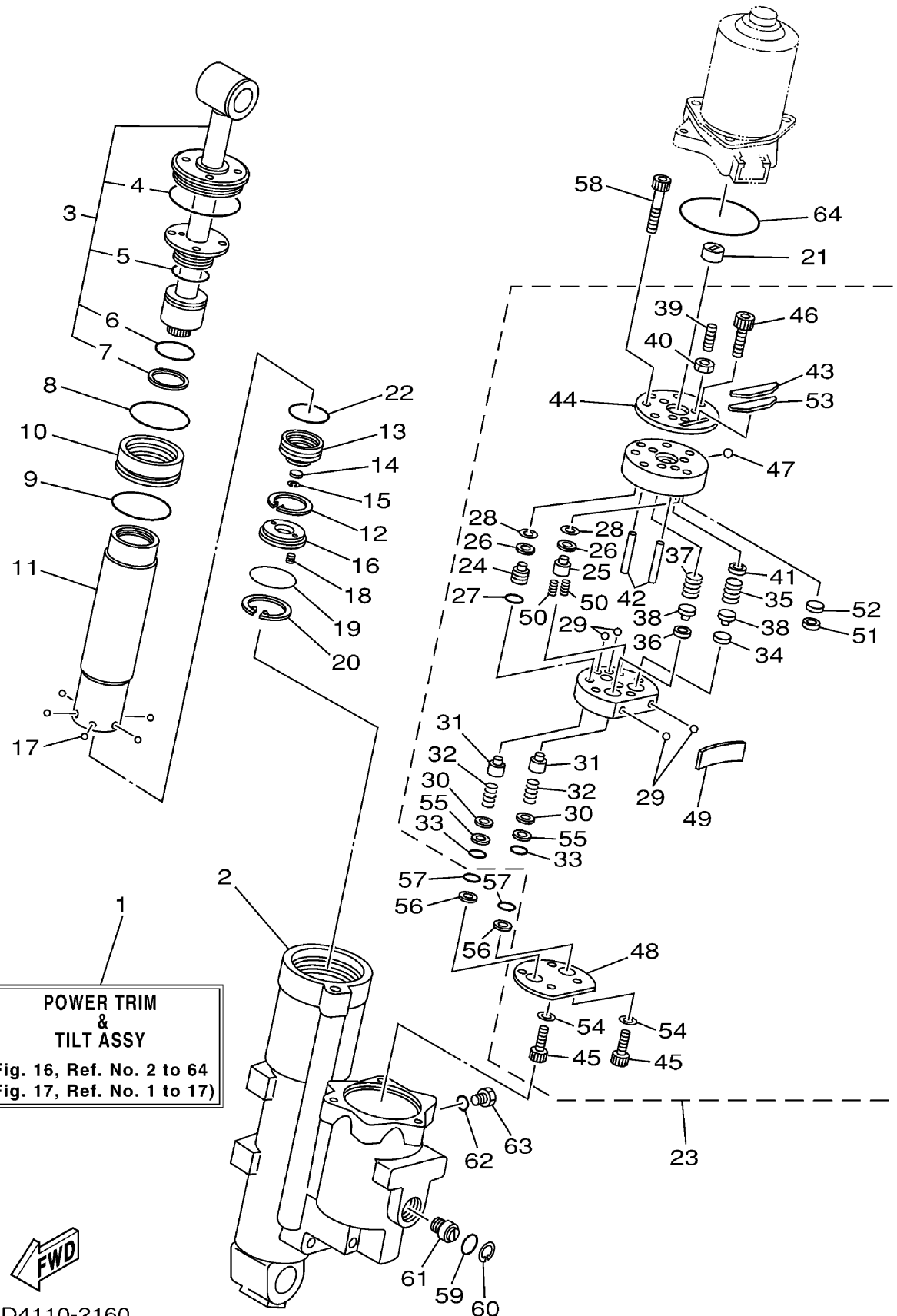


63D4110-2160
c40ltra

POWER TRIM TILT ASSY 1

Ref No.	Part Number	Description	Qty	Remarks
21	6H1-43831-10-00	CONNECTOR, SHAFT	1	(C40)
22	93210-29375-00	.O-RING	1	(C40)
23	CS3-43830-00-00	GEAR PUMP ASSY	1	(C40)
24	69A-43841-00-00	.PISTON, SHUTTLE	1	(C40)
25	69A-4384M-00-00	.PISTON, SHUTTLE 2	1	(C40)
26	69A-4384F-00-00	.SEAL, MAIN VALVE	2	(C40)
27	6H1-43883-00-00	.O-RING	1	(C40)
28	99001-03600-00	.CIRCLIP	2	(C40)
29	93505-32038-00	.BALL	4	(C40)
30	CS3-4388F-00-00	.SPACER	2	(C40)
31	6T4-43808-00-00	.SEAT VALVE COMP. 1	2	(C40)
32	CS3-43853-00-00	.SPRING, MAIN VALVE	2	(C40)
33	93210-06001-00	.O-RING	2	(C40)
34	6H1-4384G-11-00	.SEAL, RELIEF VALVE	1	(C40)
35	CS3-43855-00-00	.SPRING, UP RELIEF	1	(C40)
36	6H1-4384F-10-00	.SEAL, MAIN VALVE	1	(C40)
37	6H1-43856-10-00	.SPRING, DOWN RELIEF	1	(C40)
38	6H1-43844-10-00	.PIN, VALVE SUPPORT	2	(C40)
39	92A08-03110-00	.SCREW SET	1	(C40)
40	95307-03600-00	.NUT	1	(C40)

CONTINUED ON NEXT FRAME >



POWER TRIM & TILT ASSY
 (Fig. 16, Ref. No. 2 to 64
 Fig. 17, Ref. No. 1 to 17)

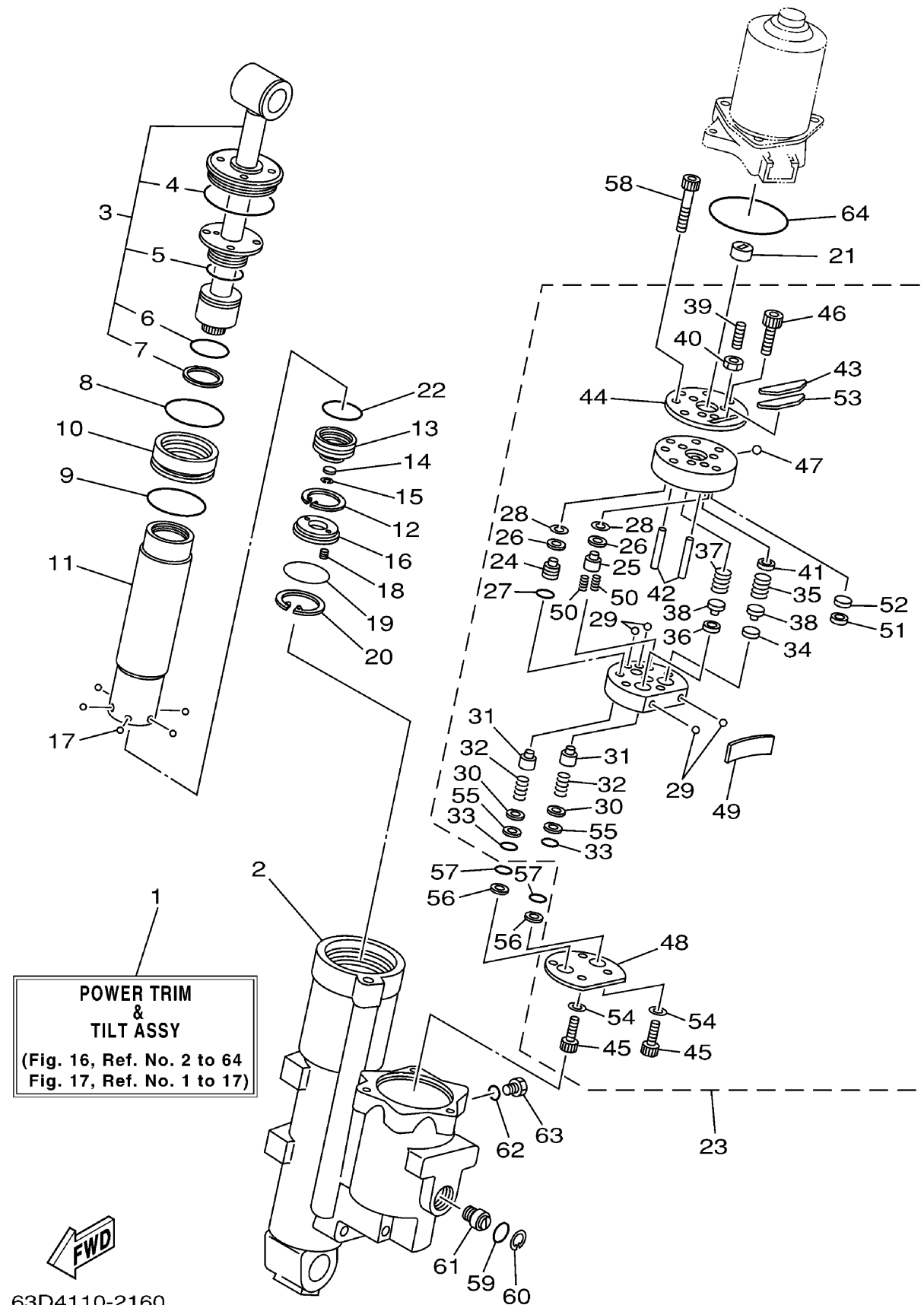


63D4110-2160
 c40ltra

POWER TRIM TILT ASSY 1

Ref No.	Part Number	Description	Qty	Remarks
41	CS3-4382A-00-00	..ADAPTOR 1	1	(C40)
42	93604-26256-00	..PIN, DOWEL	2	(C40)
43	CS3-43816-00-00	..FILTER 1	1	(C40)
44	CS3-4382L-00-00	..CAP, RELIEF VALVE	1	(C40)
45	91318-05020-00	..BOLT	2	(C40)
46	91318-05008-00	..BOLT	2	(C40)
47	93501-08001-00	..BALL	1	(C40)
48	CS3-4384G-00-00	..SEAL, RELIEF VALVE	1	(C40)
49	CS3-43854-00-00	..SPRING, MANUAL RELEASE	1	(C40)
50	62Y-43894-00-00	..SPRING, SHUTTLE RETURN	2	(C40)
51	CS3-4387J-00-00	..WASHER, SPECIAL 2	1	(C40)
52	CK5-22434-00-00	..PLATE, VALVE 1	1	(C40)
53	CS3-43871-00-00	..RING, BACK UP	1	(C40)
54	CS3-4387G-00-00	..WASHER	2	(C40)
55	90201-05M04-00	..WASHER, PLATE	2	(C40)
56	6H1-43816-00-00	FILTER 1	2	(C40)
57	93210-06001-00	..O-RING	2	(C40)
58	91318-06040-00	BOLT	3	(C40)
59	93210-18397-00	O-RING	1	(C40)
60	6H1-43875-00-00	RING, SNAP	1	(C40)

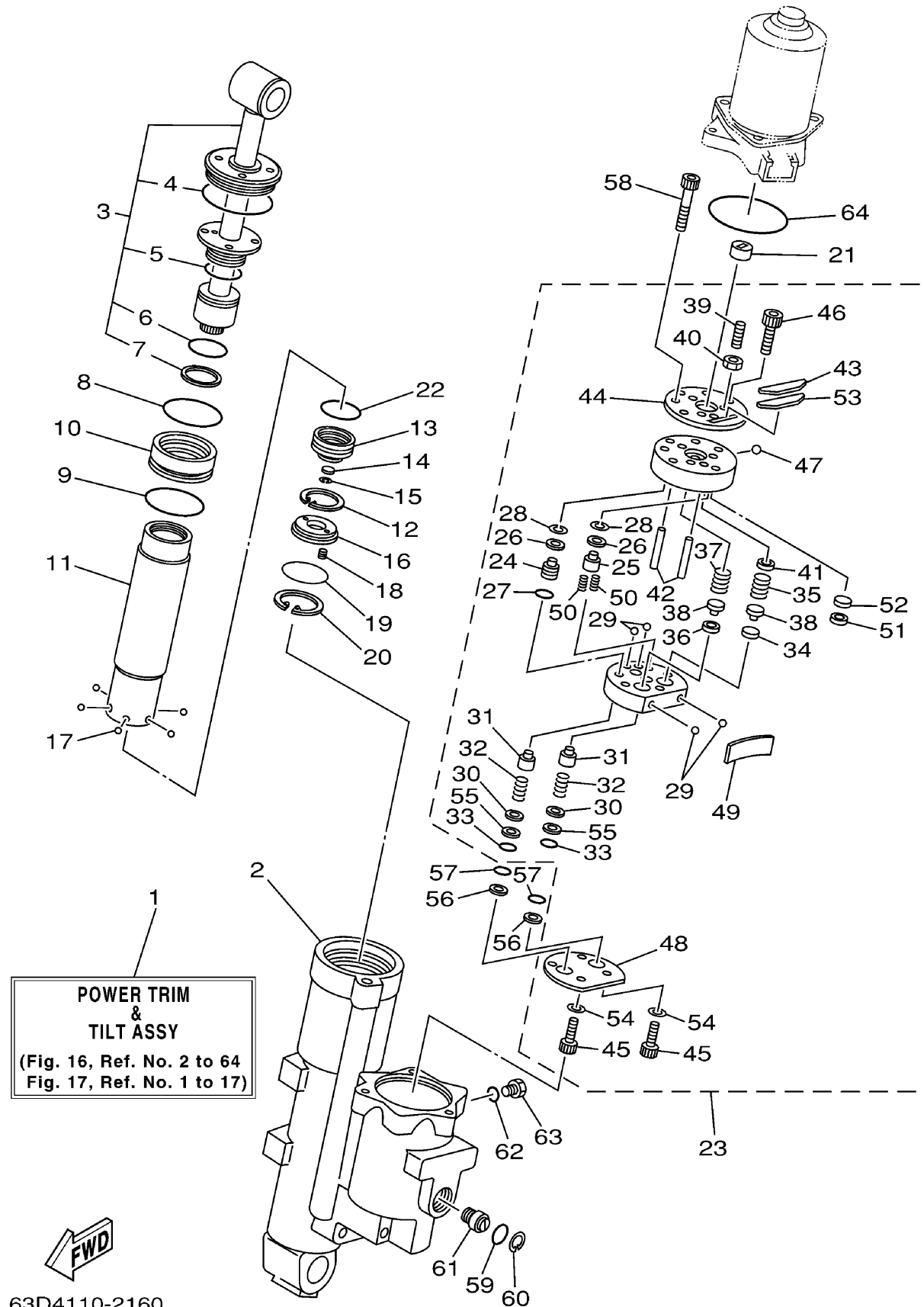
CONTINUED ON NEXT FRAME >



63D4110-2160
c40ltra

POWER TRIM TILT ASSY 1

Ref No.	Part Number	Description	Qty	Remarks
61	CS3-43845-00-00	SCREW, MANUAL RELEASE	1	(C40)
62	93210-09165-00	O-RING	1	(C40)
63	6H1-43829-00-00	PLUG, RESERVOIR	1	(C40)
64	62X-43865-00-00	O-RING	1	(C40)



63D4110-2160
 c40ltra