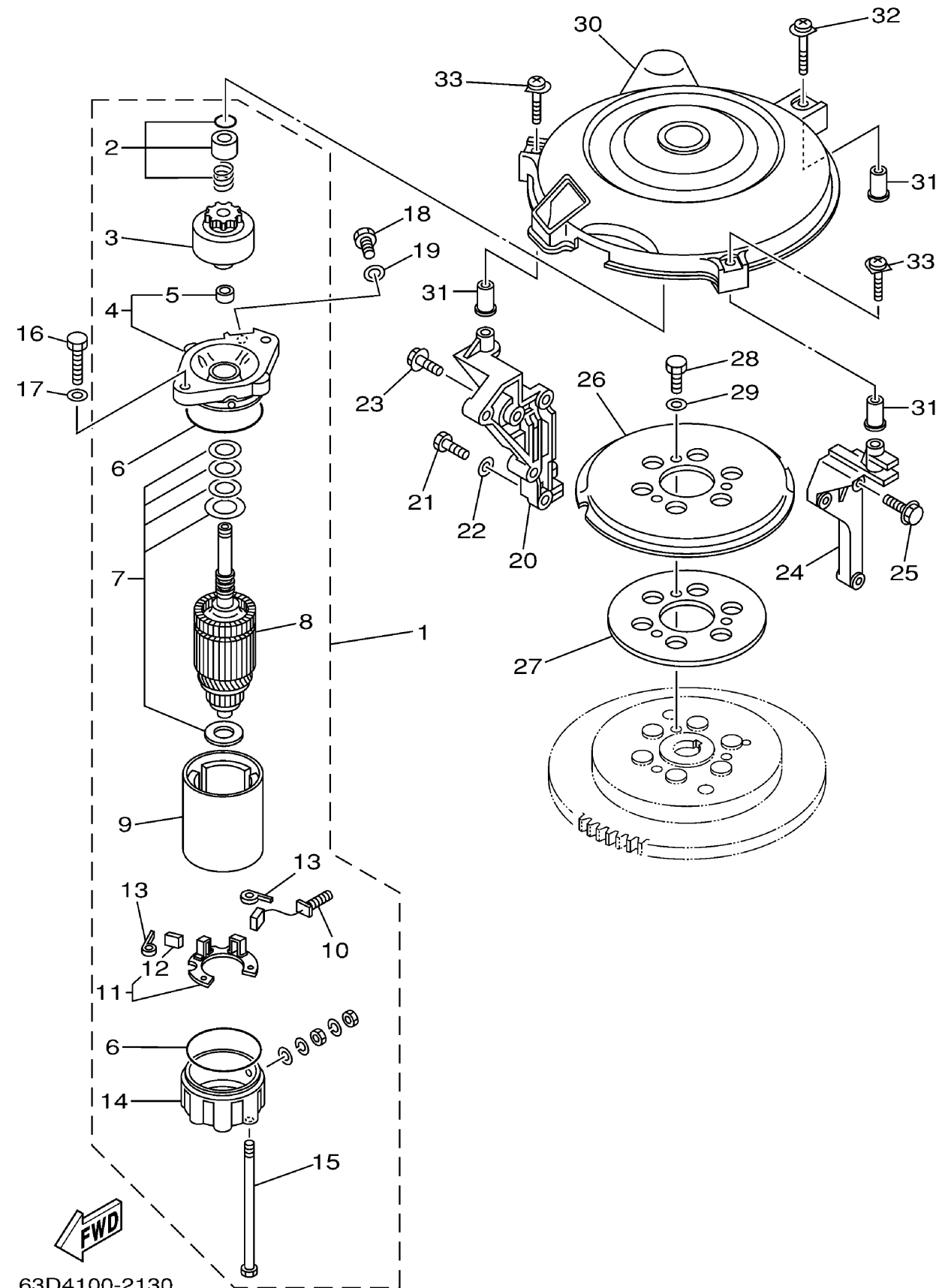


63D4100-2130
c40ltra

STARTING MOTOR

| Ref No. | Part Number | Description | Qty | Remarks |
|---------|-----------------|-----------------------------|-----|---------|
| 1 | 6F5-81800-11-00 | STARTING MOTOR ASSY | 1 | (C40) |
| 2 | 689-81857-11-00 | . PINION STOPPER SET | 1 | (C40) |
| 3 | 689-81807-12-00 | . GEAR ASSY, STARTING MOTOR | 1 | (C40) |
| 4 | 6F5-81830-11-00 | . FRONT BRACKET ASSY | 1 | (C40) |
| 5 | 689-81831-00-00 | . . METAL, FRONT | 1 | (C40) |
| 6 | 689-81847-11-00 | . O-RING | 2 | (C40) |
| 7 | 689-81809-11-00 | . WASHER KIT | 1 | (C40) |
| 8 | 689-81850-12-00 | . ARMATURE ASSY | 1 | (C40) |
| 9 | 689-81810-11-00 | . STATOR ASSY | 1 | (C40) |
| 10 | 689-81811-11-00 | . BRUSH 1 | 1 | (C40) |
| 11 | 689-81840-11-00 | . BRUSH HOLDER ASSY | 1 | (C40) |
| 12 | 689-81812-11-00 | . . BRUSH 2 | 1 | (C40) |
| 13 | 689-81813-10-00 | . SPRING, BRUSH | 2 | (C40) |
| 14 | 689-81820-11-00 | . REAR BRACKET ASSEMBLY | 1 | (C40) |
| 15 | 689-81826-10-00 | . BOLT | 2 | (C40) |
| 16 | 97013-08030-00 | BOLT | 2 | (C40) |
| 17 | 92903-08600-00 | WASHER, PLATE | 2 | (C40) |
| 18 | 97013-08016-00 | BOLT | 1 | (C40) |
| 19 | 92903-08600-00 | WASHER, PLATE | 1 | (C40) |
| 20 | 63D-15771-00-4D | STAY 1 | 1 | (C40) |

CONTINUED ON NEXT FRAME >



63D4100-2130
c40ltra

STARTING MOTOR

| Ref No. | Part Number | Description | Qty | Remarks |
|---------|-----------------|--------------------|-----|---------|
| 21 | 97013-08025-00 | BOLT | 2 | (C40) |
| 22 | 92903-08600-00 | WASHER, PLATE | 2 | (C40) |
| 23 | 90119-06MA2-00 | BOLT, WITH WASHER | 1 | (C40) |
| 24 | 6H4-15772-02-94 | STAY 2 | 1 | (C40) |
| 25 | 90119-06MA3-00 | BOLT, WITH WASHER | 3 | (C40) |
| 26 | 6J8-15723-E1-00 | PULLEY, STARTER | 1 | (C40) |
| 27 | 6J8-81365-A0-00 | GASKET, HOLE COVER | 1 | (C40) |
| 28 | 97013-08014-00 | BOLT | 3 | (C40) |
| 29 | 92903-08600-00 | WASHER, PLATE | 3 | (C40) |
| 30 | 6H4-81337-01-00 | COVER, FLYWHEEL | 1 | (C40) |
| 31 | 90387-06M65-00 | COLLAR | 3 | (C40) |
| 32 | 90159-06M21-00 | SCREW, WITH WASHER | 1 | (C40) |
| 33 | 90159-06M22-00 | SCREW, WITH WASHER | 2 | (C40) |