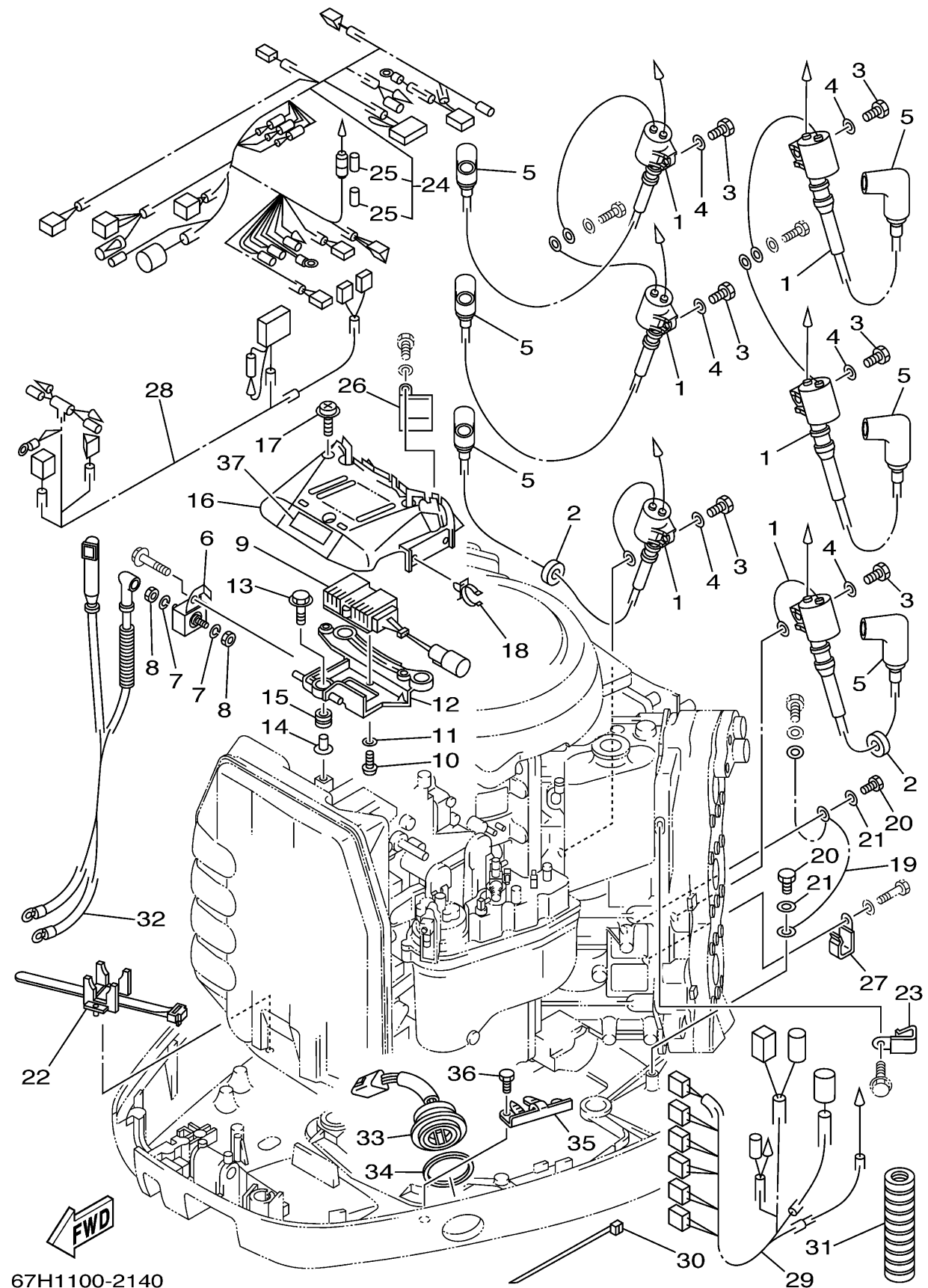


67H1100-2140
dx150ltra

ELECTRICAL 2

Ref No.	Part Number	Description	Qty	Remarks
1	61A-85570-00-00	IGNITION COIL ASSY	6	(67N1)
2	90480-25161-00	GROMMET	2	(67N1)
3	97013-06020-00	BOLT	6	(67N1)
4	92903-06600-00	WASHER, PLATE	6	(67N1)
5	6E3-82370-21-00	PLUG CAP ASSY	6	(67N1)
6	67H-81925-00-00	TERMINAL	1	(67N1)
7	92990-06100-00	WASHER, SPRING	2	(67N1)
8	95380-06700-00	NUT	2	(67N1)
9	65L-85370-00-00	RESISTOR ASSY	1	(67N1)
10	97885-05010-00	.SCREW, PAN HEAD	2	(67N1)
11	92995-05600-00	WASHER	2	(67N1)
12	65L-81915-00-94	PLATE, REGULATOR FITTING	1	(67N1)
13	90119-06M65-00	BOLT, WITH WASHER	3	(67N1)
14	90387-06M60-00	COLLAR	3	(67N1)
15	90480-10M23-00	GROMMET	3	(67N1)
16	65L-81916-00-00	COVER, TERMINAL	1	(67N1)
17	90159-06M03-00	SCREW, WITH WASHER	2	(67N1)
18	90464-19M45-00	CLAMP	2	(67N1)
19	6E5-82531-10-00	WIRE, LEAD	1	(67N1)
20	97095-06012-00	BOLT	2	(67N1)

CONTINUED ON NEXT FRAME >



67H1100-2140
dx150ltra

ELECTRICAL 2

Ref No.	Part Number	Description	Qty	Remarks
21	92995-06600-00	WASHER	2	(67N1)
22	688-82594-00-00	CLAMP	1	(67N1)
23	90465-05M87-00	CLAMP	1	(67N1)
24	67H-82590-10-00	WIRE HARNESS ASSY	1	(67N1)
25	67F-82151-10-00	. . FUSE (30A)	2	(67N1)
26	90465-08M89-00	CLAMP	1	(67N1)
27	90465-05M87-00	CLAMP	1	(67N1)
28	67H-8259M-00-00	WIRE HARNESS ASSY 2	1	(67N1)
29	67H-8259N-00-00	WIRE HARNESS ASSY 3	1	(67N1)
30	90465-13M18-00	CLAMP	1	(67N1)
31	67H-83557-00-00	TUBE	1	(67N1)
32	67H-82105-00-00	BATTERY CABLE	1	(67N1)
33	6R3-82563-00-00	TRIM & TILT SWITCH ASSY	1	(67N1)
34	6E5-82587-00-00	GASKET	1	(67N1)
35	6R3-83614-00-00	BRACKET	1	(67N1)
36	97095-06012-00	BOLT	2	(67N1)
37	65L-83625-40-00	MARK 5	1	(67N1)