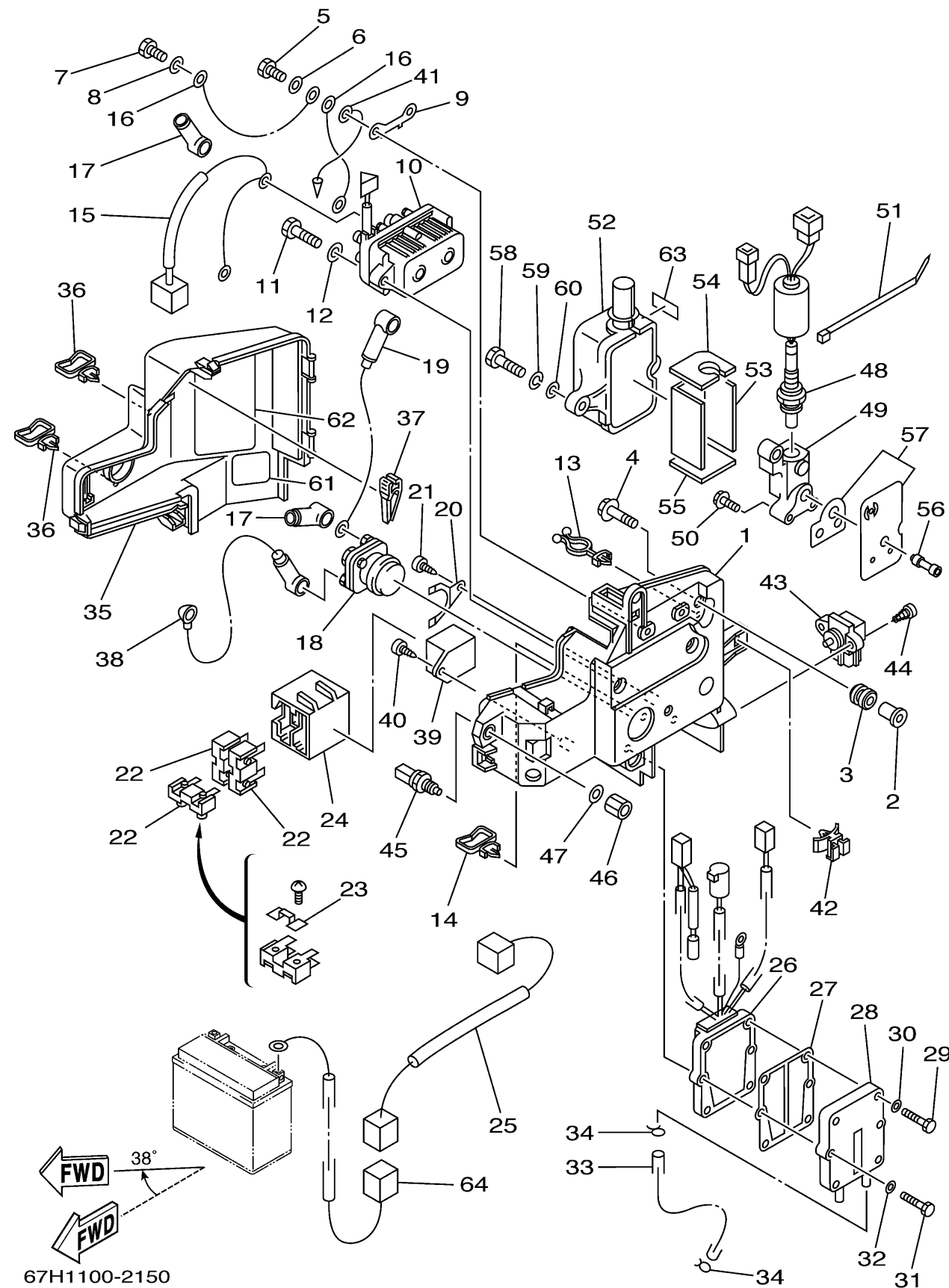


67H1100-2150
dx150ltra

ELECTRICAL 3

Ref No.	Part Number	Description	Qty	Remarks
1	67H-81948-00-00	BRACKET	1	(67N1)
2	624-42542-00-00	PIPE	5	(67N1)
3	6A0-82317-00-00	DAMPER, IGNITION COIL	5	(67N1)
4	90119-06M65-00	BOLT, WITH WASHER	5	(67N1)
5	97095-06012-00	BOLT	2	(67N1)
6	92995-06600-00	WASHER	2	(67N1)
7	97095-06012-00	BOLT	1	(67N1)
8	92995-06600-00	WASHER	1	(67N1)
9	61A-87149-00-00	CONNECTOR	1	(67N1)
10	61A-81950-00-00	RELAY ASSY	1	(67N1)
11	97013-06030-00	BOLT	2	(67N1)
12	92903-06600-00	WASHER, PLATE	2	(67N1)
13	90464-18M46-00	CLAMP	1	(67N1)
14	90464-23199-00	CLAMP	1	(67N1)
15	61A-81949-10-00	WIRE, LEAD	1	(67N1)
16	61A-81949-00-00	WIRE, LEAD	2	(67N1)
17	6G5-82119-00-00	COVER, LEAD WIRE	2	(67N1)
18	61A-81941-00-00	STARTER RELAY ASSY	1	(67N1)
19	67H-82117-10-00	WIRE, LEAD	1	(67N1)
20	61A-81952-00-00	HOLDER, RELAY	1	(67N1)

CONTINUED ON NEXT FRAME >

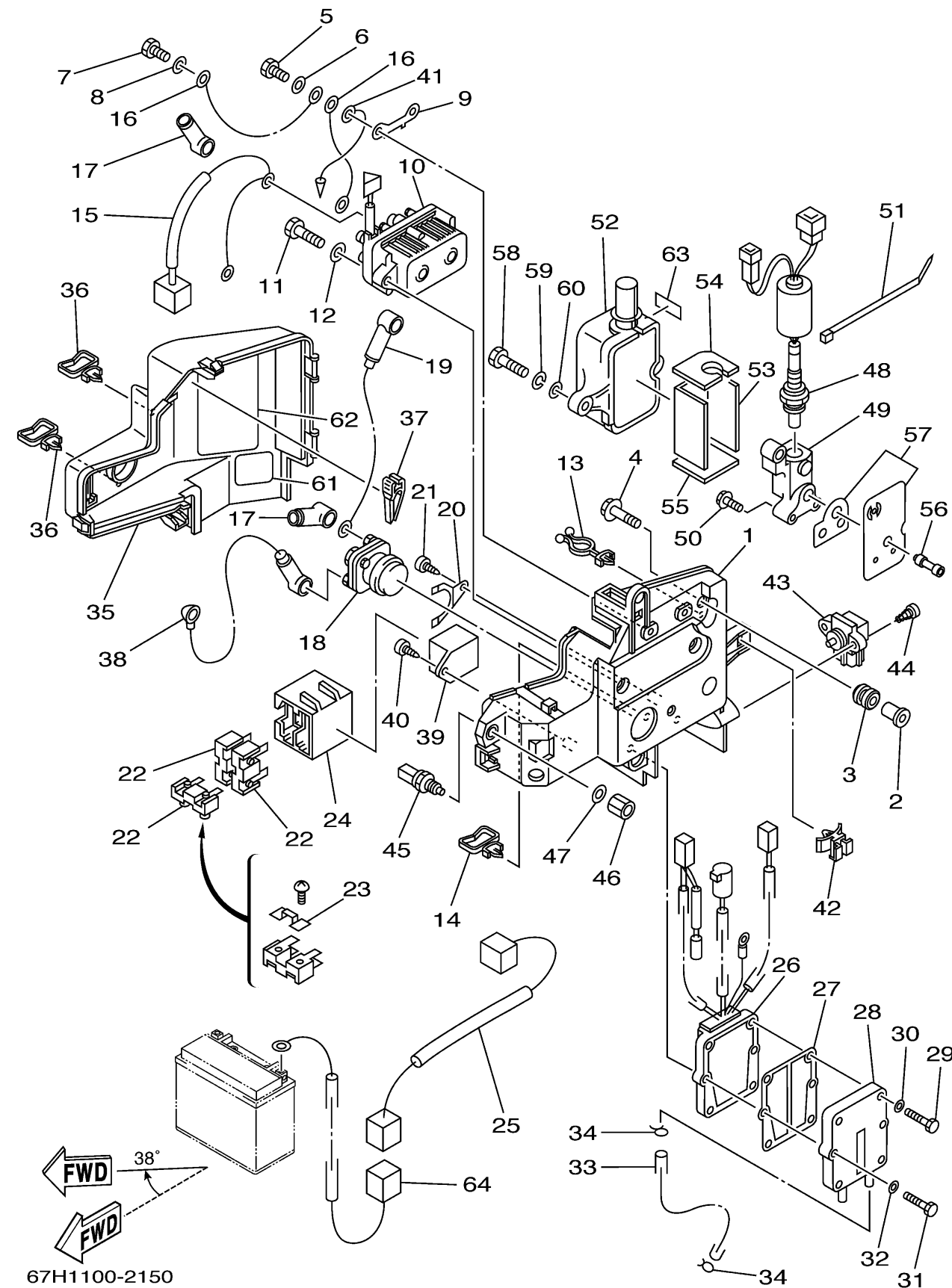


67H1100-2150
dx150ltra

ELECTRICAL 3

Ref No.	Part Number	Description	Qty	Remarks
21	97780-50612-00	SCREW, TAPPING	1	(67N1)
22	61A-82150-00-00	FUSE HOLDER ASSY	3	(67N1)
23	61A-82151-00-00	. FUSE (12V-80A)	1	(67N1)
24	61A-82153-00-00	STAY, FUSE HOLDER	1	(67N1)
25	66K-81949-10-00	WIRE, LEAD	1	(67N1)
26	67H-81960-00-00	RECTIFIER & REGULATOR ASSY	1	(67N1)
27	61A-81975-A0-00	PLATE, RECTIFIER FITTING	1	(67N1)
28	61A-81972-00-1S	COVER, RECTIFIER	1	(67N1)
29	97013-06025-00	BOLT	4	(67N1)
30	92903-06600-00	WASHER, PLATE	4	(67N1)
31	97013-06030-00	BOLT	2	(67N1)
32	92903-06600-00	WASHER, PLATE	2	(67N1)
33	90445-09105-00	HOSE (L300)	1	(67N1)
34	90467-08004-00	CLIP	2	(67N1)
35	67H-81942-00-00	COVER	1	(67N1)
36	90464-23199-00	CLAMP	2	(67N1)
37	67F-2812A-00-00	.PULLER, FUSE	1	(67N1)
38	67H-82117-00-00	WIRE, LEAD	1	(67N1)
39	65L-81950-00-00	RELAY ASSY	1	(67N1)
40	97780-60625-00	SCREW, TAPPING	1	(67N1)

CONTINUED ON NEXT FRAME >

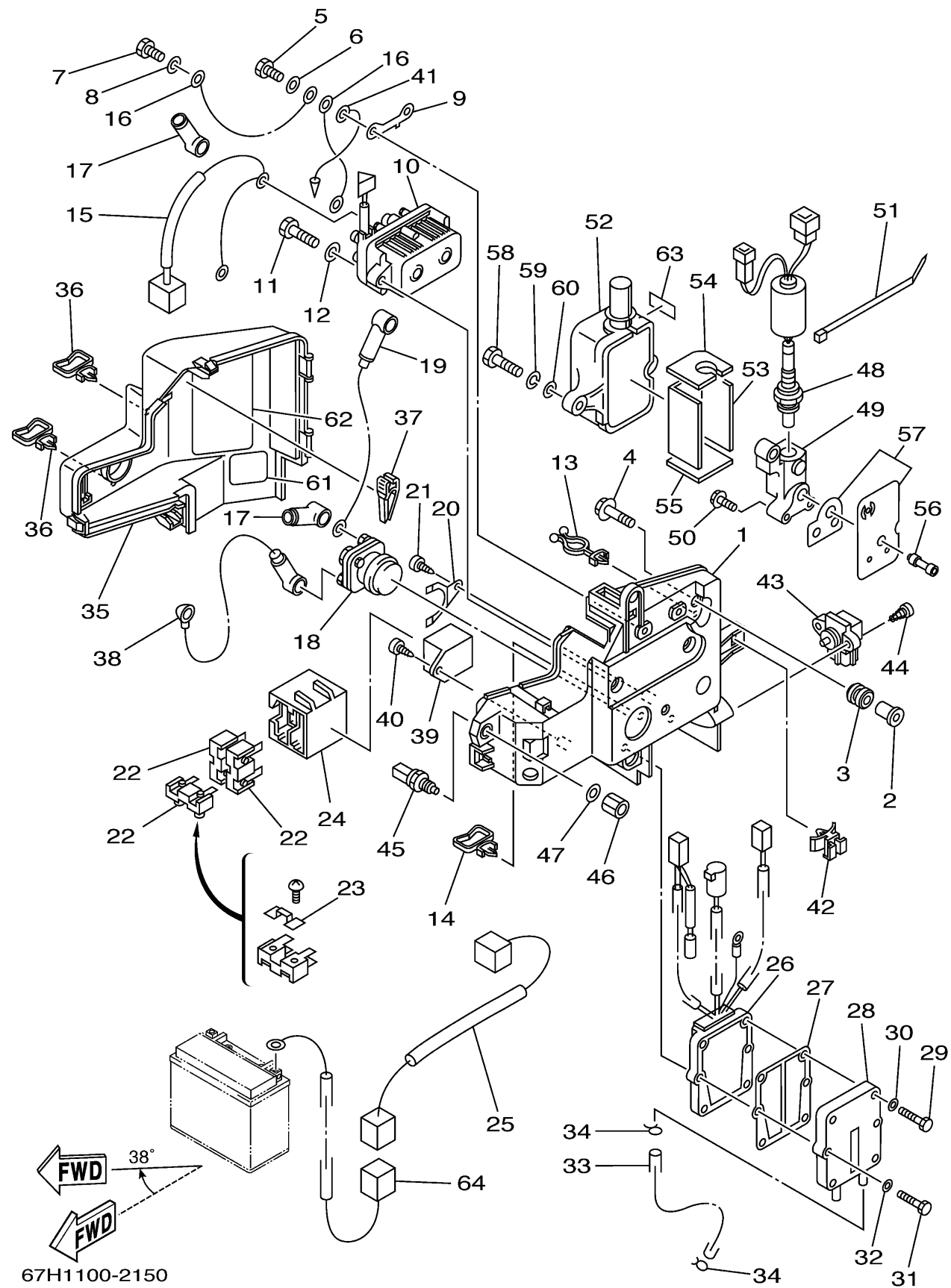


67H1100-2150
dx150ltra

ELECTRICAL 3

Ref No.	Part Number	Description	Qty	Remarks
41	66K-82519-00-00	WIRE, EARTH LEAD	1	(67N1)
42	90464-09M47-00	CLAMP	1	(67N1)
43	67H-82380-00-00	SENSOR, PRESSURE	1	(67N1)
44	97780-60625-00	SCREW, TAPPING	2	(67N1)
45	65L-85886-00-00	THERMOSENSOR	1	(67N1)
46	90170-12M36-00	NUT	1	(67N1)
47	90201-12M34-00	.WASHER, PLATE	1	(67N1)
48	67H-8592A-01-00	SENSOR	1	(67N1)
49	65L-11395-00-00	HOLDER	1	(67N1)
50	90119-06M74-00	BOLT, WITH WASHER	3	(67N1)
51	90465-13M18-00	CLAMP	1	(67N1)
52	65L-85832-00-00	CASE, UNDER	1	(67N1)
53	65L-11354-00-00	GASKET	1	(67N1)
54	65L-1131N-00-00	GASKET, HOLDER	1	(67N1)
55	65L-11396-00-00	GASKET, HOLDER	1	(67N1)
56	65L-11353-00-00	JOINT	1	(67N1)
57	68F-W1135-00-00	SEAL, CYLINDER	1	(67N1)
58	97095-06030-00	BOLT	2	(67N1)
59	92995-06100-00	WASHER, SPRING	2	(67N1)
60	92995-06600-00	WASHER	2	(67N1)

CONTINUED ON NEXT FRAME >



67H1100-2150
dx150tira

ELECTRICAL 3

Ref No.	Part Number	Description	Qty	Remarks
61	67H-81919-00-00	GRAPHIC, REGULATOR	1	(67N1)
62	67H-81919-10-00	GRAPHIC, REGULATOR	1	(67N1)
63	65L-83625-40-00	MARK 5	1	(67N1)
64	68F-81949-00-00	WIRE, LEAD (ISOLATOR CABLE)	1	AP(67N1)