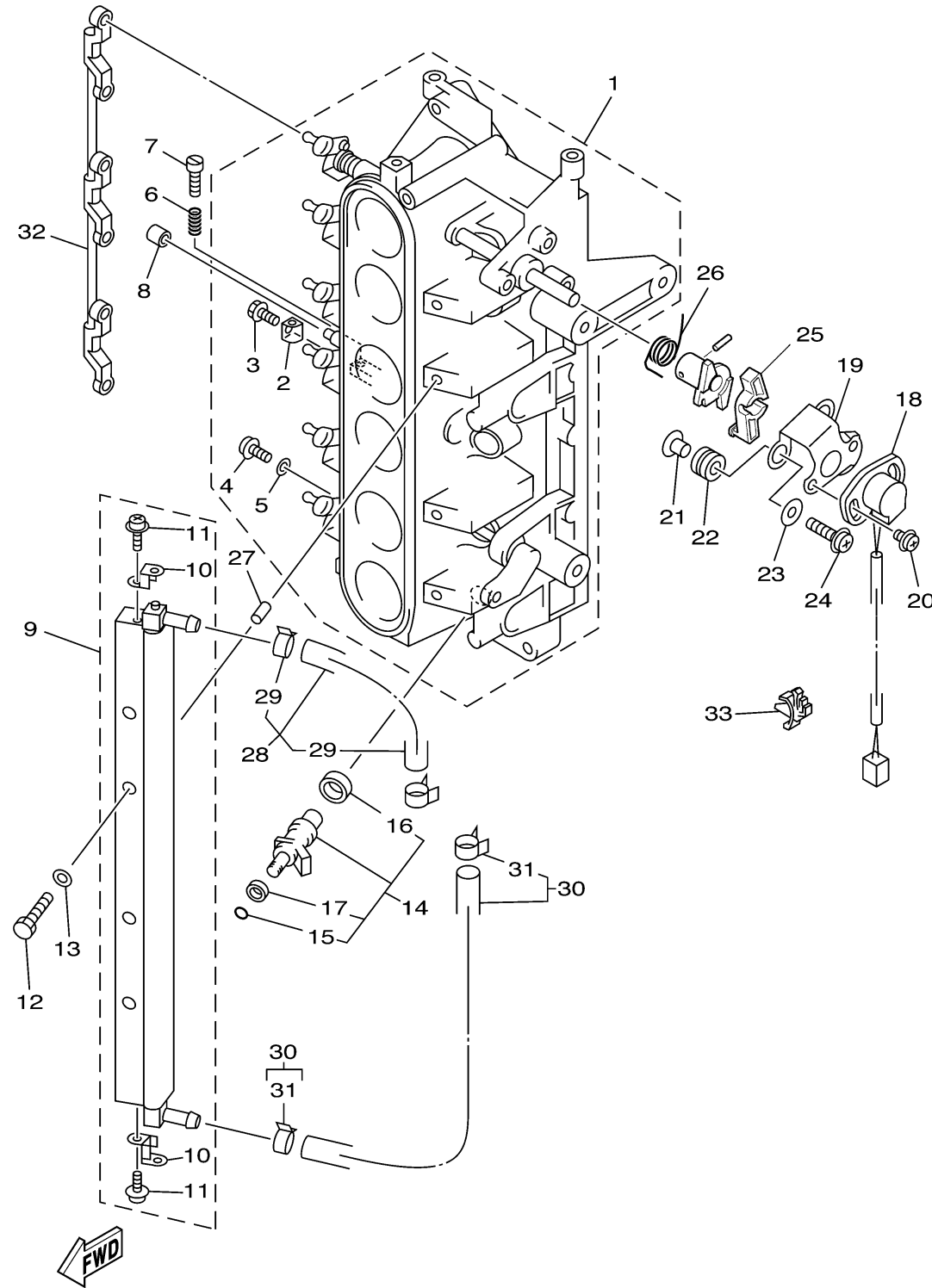


FUEL INJECTION NOZZLE

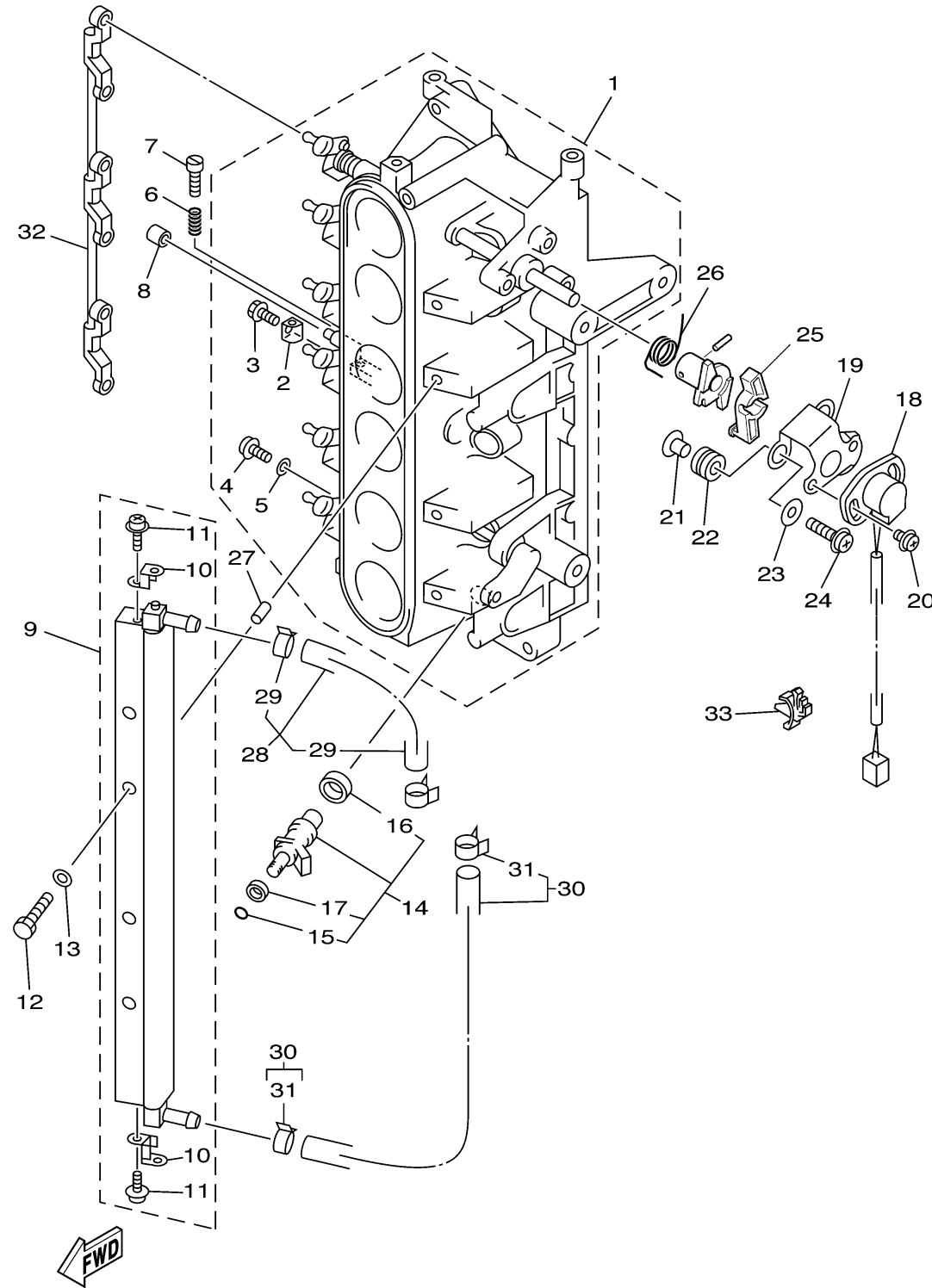


Ref No.	Part Number	Description	Qty	Remarks
1	67H-13751-00-00	BODY, THROTTLE 1	1	(67N1)
2	65L-14527-00-00	. .PLATE	1	(67N1)
3	65L-14565-00-00	. SCREW	1	(67N1)
4	6K5-14592-00-00	. .SCREW	6	(67N1)
5	90201-05552-00	. .WASHER, PLATE	6	(67N1)
6	65L-14334-00-00	.SPRING, AIR ADJUSTING	1	(67N1)
7	65L-14523-00-00	.SCREW, STOP	1	(67N1)
8	65L-14578-00-00	.COLLAR	1	(67N1)
9	67H-13938-00-00	PIPE	1	(67N1)
10	67H-13898-00-00	. .HOLDER	2	(67N1)
11	65L-14565-00-00	. SCREW	2	(67N1)
12	65L-13573-00-00	BOLT 1	4	(67N1)
13	65L-13995-00-00	WASHER	4	(67N1)
14	65L-13761-00-00	INJECTOR ASSY	6	(67N1)
15	65L-13769-00-00	. .O-RING	1	(67N1)
16	65L-13764-00-00	. .GASKET	1	(67N1)
17	65L-13766-00-00	. .RUBBER, INJECTOR	1	(67N1)
18	61A-85885-00-00	THROTTLE SENSOR ASSY	1	(67N1)
19	6K7-85886-00-00	BRACKET	1	(67N1)
20	97985-05212-00	SCREW, WITH WASHER	2	(67N1)

CONTINUED ON NEXT FRAME >

66X1010-2060
Rev. 4-12-2012

FUEL INJECTION NOZZLE



66X1010-2060
Rev. 4-12-2012

Ref No.	Part Number	Description	Qty	Remarks
21	90387-05M00-00	COLLAR	3	(67N1)
22	90480-10M23-00	GROMMET	3	(67N1)
23	65L-14596-00-00	WASHER	3	(67N1)
24	97985-05330-00	SCREW, WITH WASHER	3	(67N1)
25	65L-14573-00-00	LEVER	1	(67N1)
26	65L-14579-00-00	SPRING	1	(67N1)
27	65L-13996-00-00	INSERT	2	(67N1)
28	66K-13971-00-00	PIPE, FUEL 1	1	(67N1)
29	65L-24387-00-00	. .CLIP	2	(67N1)
30	67H-13972-00-00	PIPE, FUEL 2	1	(67N1)
31	65L-24387-00-00	. .CLIP	2	(67N1)
32	65L-41217-00-00	ROD, ACCEL. LEVER	1	(67N1)
33	90464-04M12-00	CLAMP	1	(67N1)