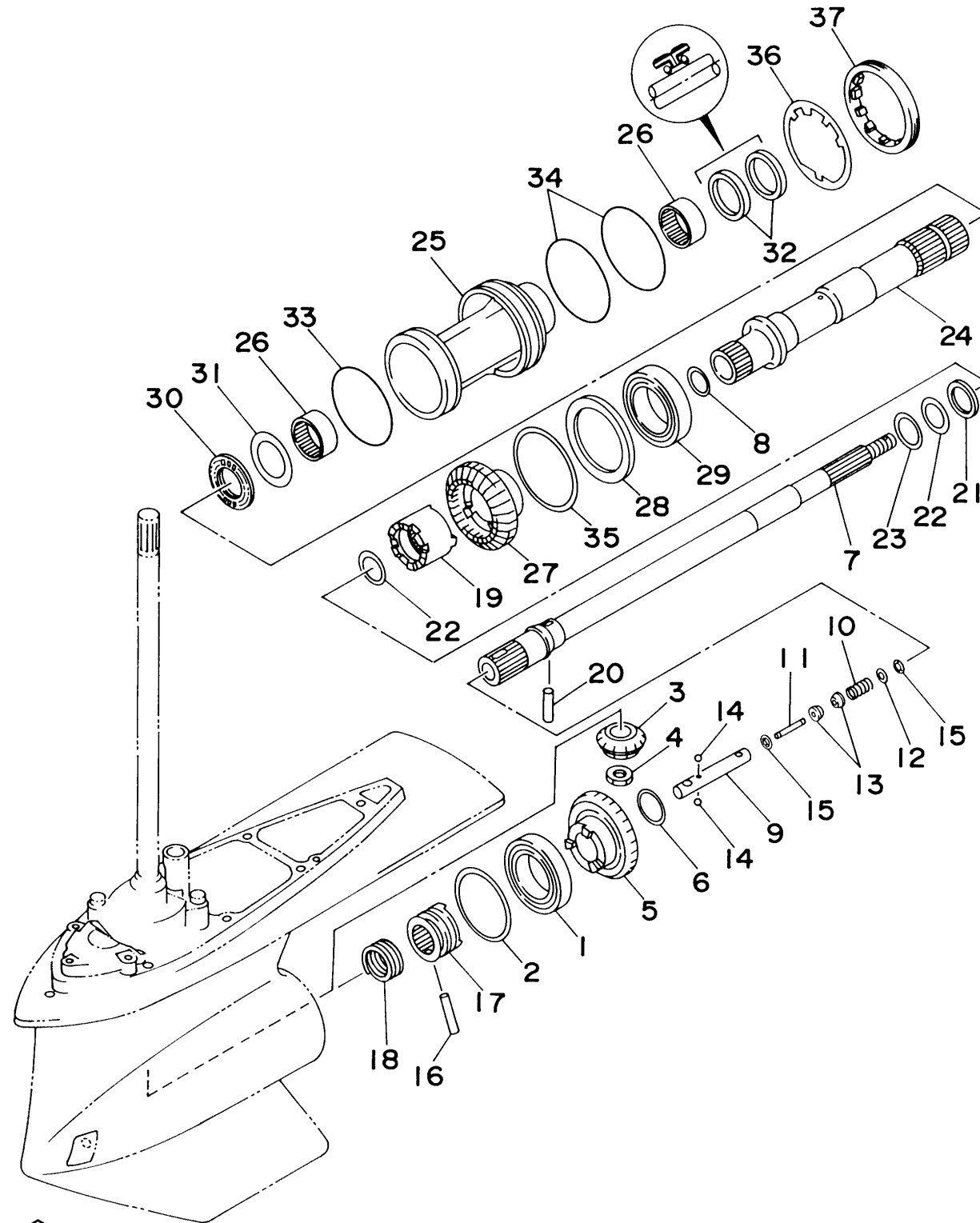


LOWER CASING DRIVE 2A

Ref No.	Part Number	Description	Qty	Remarks
1	93332-00048-00	BEARING	1	(67N1)
2	6G5-45567-01-50	SHIM (T:0.50MM)	1	UR(67N1)
2	6G5-45567-01-30	SHIM (T:0.30MM)	1	UR(67N1)
2	6G5-45567-01-12	SHIM (T:0.12MM)	1	UR(67N1)
2	6G5-45567-01-15	SHIM (T:0.15MM)	1	UR(67N1)
2	6G5-45567-01-18	SHIM (T:0.18MM)	1	UR(67N1)
2	6G5-45567-01-40	SHIM (T:0.40MM)	1	UR(67N1)
2	6G5-45567-01-10	SHIM (T:0.10MM)	1	UR(67N1)
3	65N-45551-00-00	PINION (13T)	1	(67N1)
4	90170-16M01-00	NUT	1	(67N1)
5	65N-45560-00-00	GEAR 1 (26T)	1	(67N1)
6	90201-35M02-00	WASHER, PLATE	1	(67N1)
7	65N-45611-00-00	SHAFT, PROPELLER	1	(67N1)
8	90201-28M03-00	WASHER, PLATE	1	(67N1)
9	65N-45634-00-00	SLIDE, SHIFT	1	(67N1)
10	90501-10M77-00	SPRING, COMPRESSION	1	(67N1)
11	6H1-45668-00-00	SHAFT, FREE 1	1	(67N1)
12	90201-02M00-00	WASHER, PLATE	1	(67N1)
13	61A-45635-00-00	PLUNGER, SHIFT	2	(67N1)
14	93501-04011-00	.BALL	2	(67N1)

CONTINUED ON NEXT FRAME >



65N0010-7220

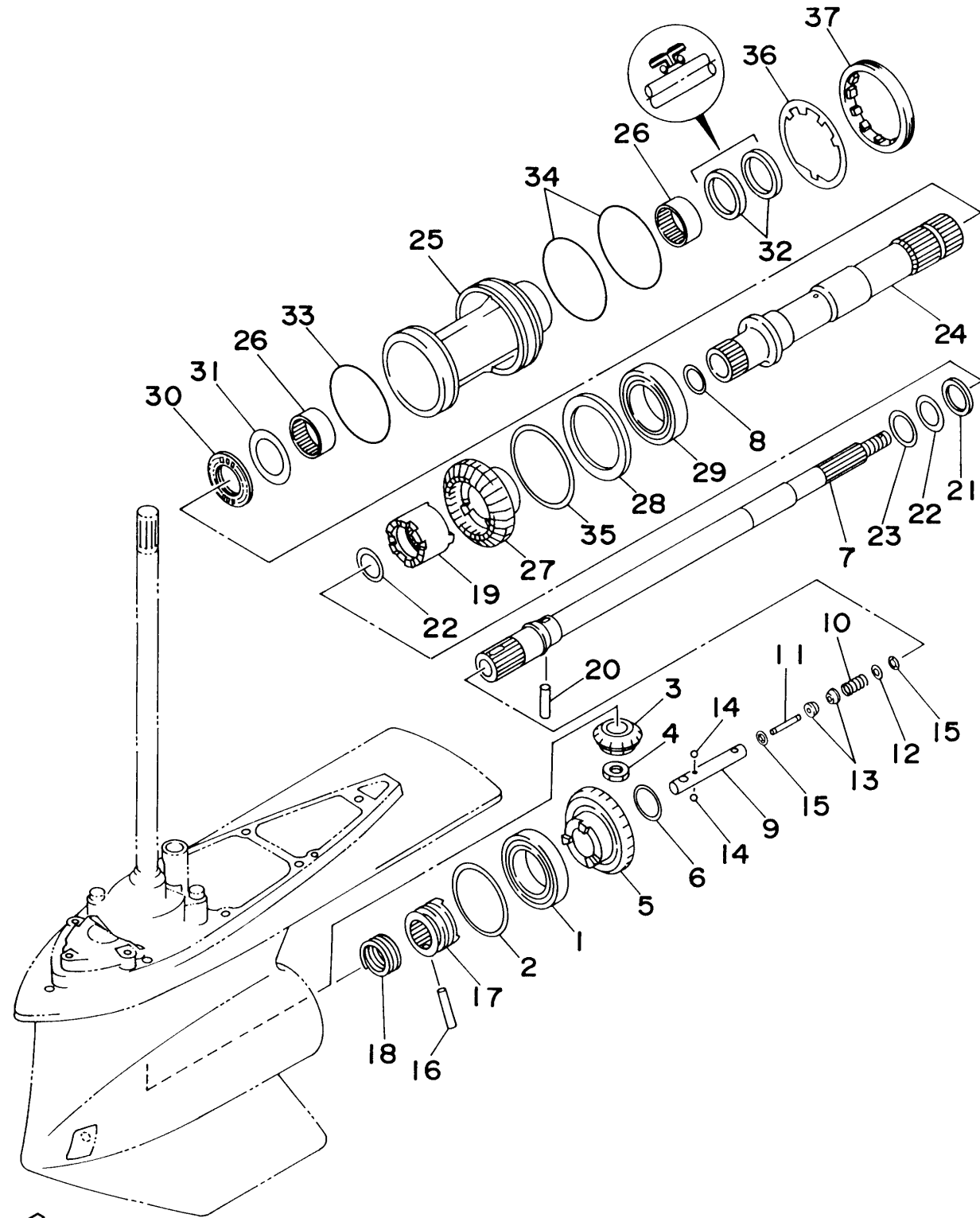
dx150tira

F1

LOWER CASING DRIVE 2A

Ref No.	Part Number	Description	Qty	Remarks
15	90183-02M03-00	NUT, SPRING	2	(67N1)
16	90250-08M07-00	PIN, STRAIGHT	1	(67N1)
17	65N-45631-00-00	CLUTCH, DOG	1	(67N1)
18	6E5-45633-01-00	RING, CROSS PIN	1	(67N1)
19	65N-45631-10-00	CLUTCH, DOG	1	(67N1)
20	93606-42M22-00	PIN, DOWEL	1	(67N1)
21	90387-32M00-00	COLLAR	1	(67N1)
22	90201-36M00-00	WASHER, PLATE	2	(67N1)
23	93440-36M09-00	CIRCLIP	1	(67N1)
24	65N-45611-50-00	SHAFT, PROPELLER	1	(67N1)
25	65N-45332-00-94	HOUSING, BEARING	1	(67N1)
26	93317-445U9-00	BEARING	2	(67N1)
27	65N-45570-00-00	GEAR 2 (26T)	1	(67N1)
28	65N-45576-00-00	WASHER, THRUST	1	(67N1)
29	93332-00048-00	BEARING	1	(67N1)
30	93341-445V3-00	BEARING	1	(67N1)
31	65N-45578-00-50	SHIM (T:0.50MM)	1	UR(67N1)
31	65N-45578-00-40	SHIM (T:0.40MM)	1	UR(67N1)
31	65N-45578-00-30	SHIM (T:0.30MM)	1	UR(67N1)
31	65N-45578-00-12	SHIM (T:0.12MM)	1	UR(67N1)

CONTINUED ON NEXT FRAME >

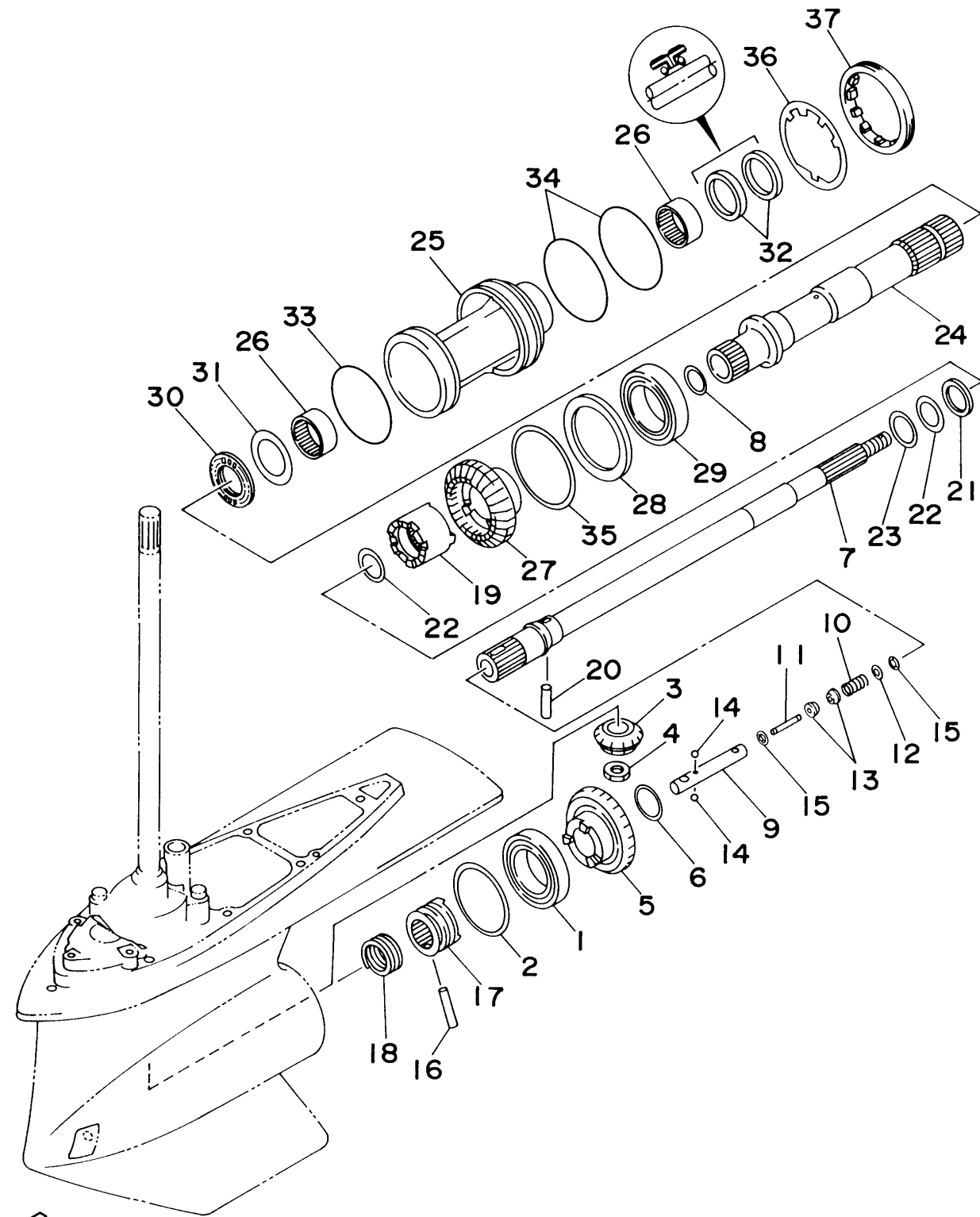


65N0010-7220

dx150tlra

LOWER CASING DRIVE 2A

Ref No.	Part Number	Description	Qty	Remarks
31	65N-45578-00-15	SHIM (T:0.15MM)	1	UR(67N1)
31	65N-45578-00-18	SHIM (T:0.18MM)	1	UR(67N1)
31	65N-45578-00-10	SHIM (T:0.10MM)	1	UR(67N1)
32	93101-45M59-00	.OIL SEAL	2	(67N1)
33	93210-98M33-00	.O-RING	1	(67N1)
34	93211-03MH9-00	.O-RING	2	(67N1)
35	65N-45577-00-50	SHIM (T:0.50MM)	1	UR(67N1)
35	65N-45577-00-15	SHIM (T:0.15MM)	1	UR(67N1)
35	65N-45577-00-10	SHIM (T:0.10MM)	1	UR(67N1)
35	65N-45577-00-40	SHIM (T:0.40MM)	1	UR(67N1)
35	65N-45577-00-30	SHIM (T:0.30MM)	1	UR(67N1)
35	65N-45577-00-18	SHIM (T:0.18MM)	1	UR(67N1)
35	65N-45577-00-12	SHIM (T:0.12MM)	1	UR(67N1)
36	65N-45383-00-00	WASHER, CLAW	1	(67N1)
37	65N-45384-00-00	NUT	1	(67N1)



65N0010-7220

dx150tlra