

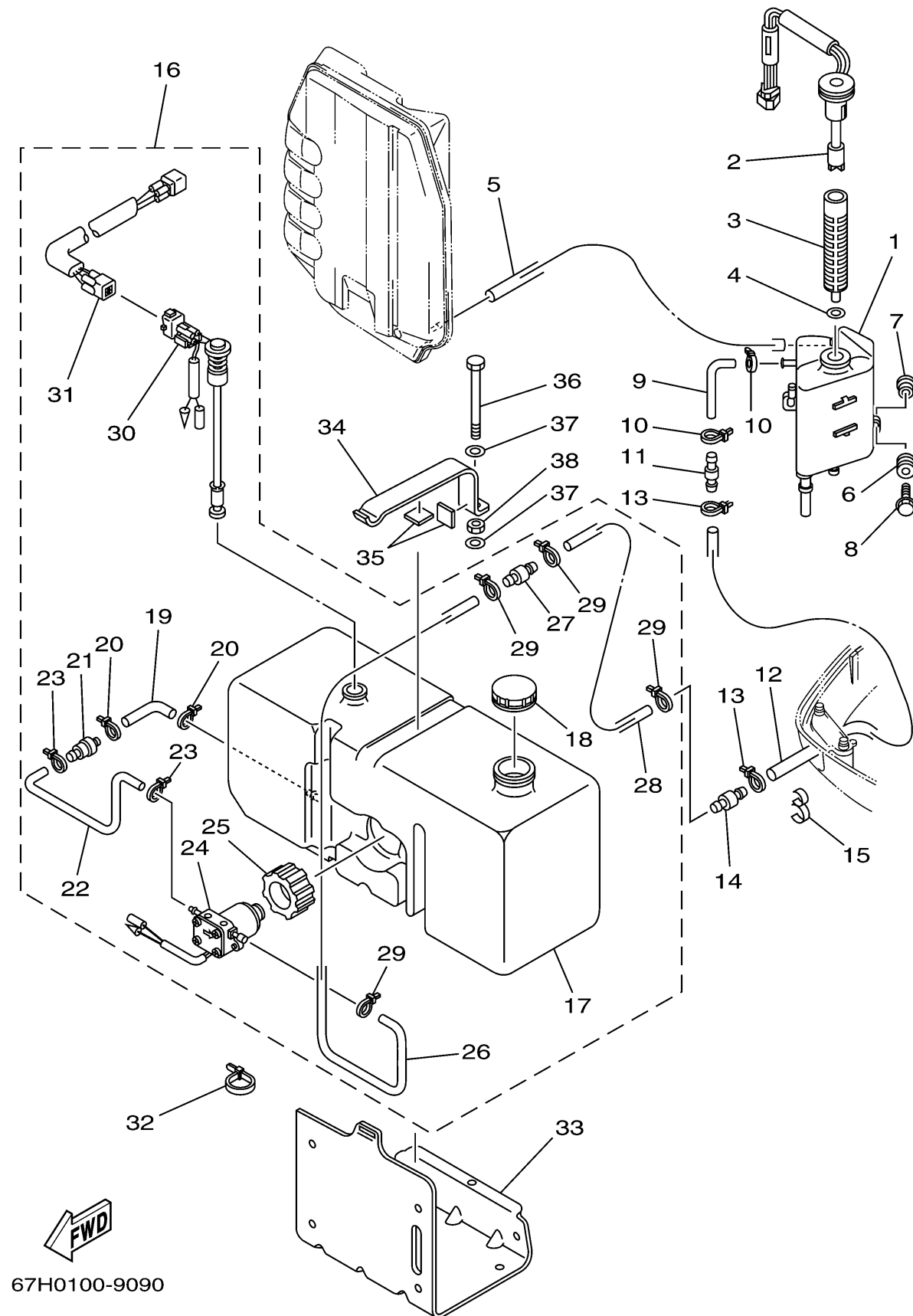
67H0100-9090

dx150tira

OIL TANK

Ref No.	Part Number	Description	Qty	Remarks
1	6E5-21750-05-00	OIL TANK ASSY	1	(67N1)
2	67H-85730-01-00	OIL LEVEL GAUGE ASSY	1	(67N1)
3	6E5-13411-00-00	STRAINER, OIL	1	(67N1)
4	6E5-13414-00-00	GASKET, STRAINER COVER	1	(67N1)
5	90445-05M08-00	HOSE (L550)	1	(67N1)
6	6A0-82317-00-00	DAMPER, IGNITION COIL	3	(67N1)
7	624-42542-00-00	PIPE	3	(67N1)
8	90119-06M65-00	BOLT, WITH WASHER	3	(67N1)
9	64E-24323-00-00	PIPE 12	1	(67N1)
10	90465-11M10-00	CLAMP	2	(67N1)
11	6E5-24379-00-00	PIPE, JOINT 4	1	(67N1)
12	90445-12207-00	HOSE (L2400)	1	(67N1)
13	90465-11M10-00	CLAMP	2	(67N1)
14	6E5-24379-00-00	PIPE, JOINT 4	1	(67N1)
15	90464-13M34-00	CLAMP	1	(67N1)
16	61A-21708-10-00	OIL TANK SUB-ASSY	1	AP(67N1)
17	6E5-21733-10-00	. .SUB TANK, OIL (18L)	1	(67N1)
18	6E5-21770-03-00	. .OIL TANK CAP ASSY	1	(67N1)
19	6E5-24322-10-00	. .PIPE 11	1	(67N1)
20	90465-11M10-00	. CLAMP	2	(67N1)

CONTINUED ON NEXT FRAME >



67H0100-9090

dx150ltra

OIL TANK

Ref No.	Part Number	Description	Qty	Remarks
21	646-24251-02-00	..STRAINER 1	1	(67N1)
22	6E5-24319-10-00	..PIPE, OIL	1	(67N1)
23	90465-11M10-00	..CLAMP	2	(67N1)
24	6E5-81900-01-00	..OIL FEED PUMP ASSY	1	(67N1)
25	6E5-81922-00-00	..GROMMET	1	(67N1)
26	6E5-24321-01-00	..PIPE 10	1	(67N1)
27	6E5-24379-00-00	..PIPE, JOINT 4	1	(67N1)
28	90445-11M26-00	..HOSE (L6500)	1	(67N1)
29	90465-11M10-00	..CLAMP	4	(67N1)
30	6E5-85720-04-00	..OIL LEVEL GAUGE ASSY	1	(67N1)
31	6R3-85721-80-00	..WIRE, LEAD (L=8.0M)	1	(67N1)
32	90465-13M11-00	CLAMP	1	AP(67N1)
33	6E5-21734-01-33	HOLDER, OIL SUB TANK	1	AP(67N1)
34	6E5-21798-01-33	BRACKET, DAMPER	1	AP(67N1)
35	6E5-21746-00-00	DAMPER	2	AP(67N1)
36	97080-06100-00	BOLT	1	AP(67N1)
37	92990-06600-00	WASHER, PLATE	2	AP(67N1)
38	95380-06600-00	NUT, HEXAGON	1	AP(67N1)

B10