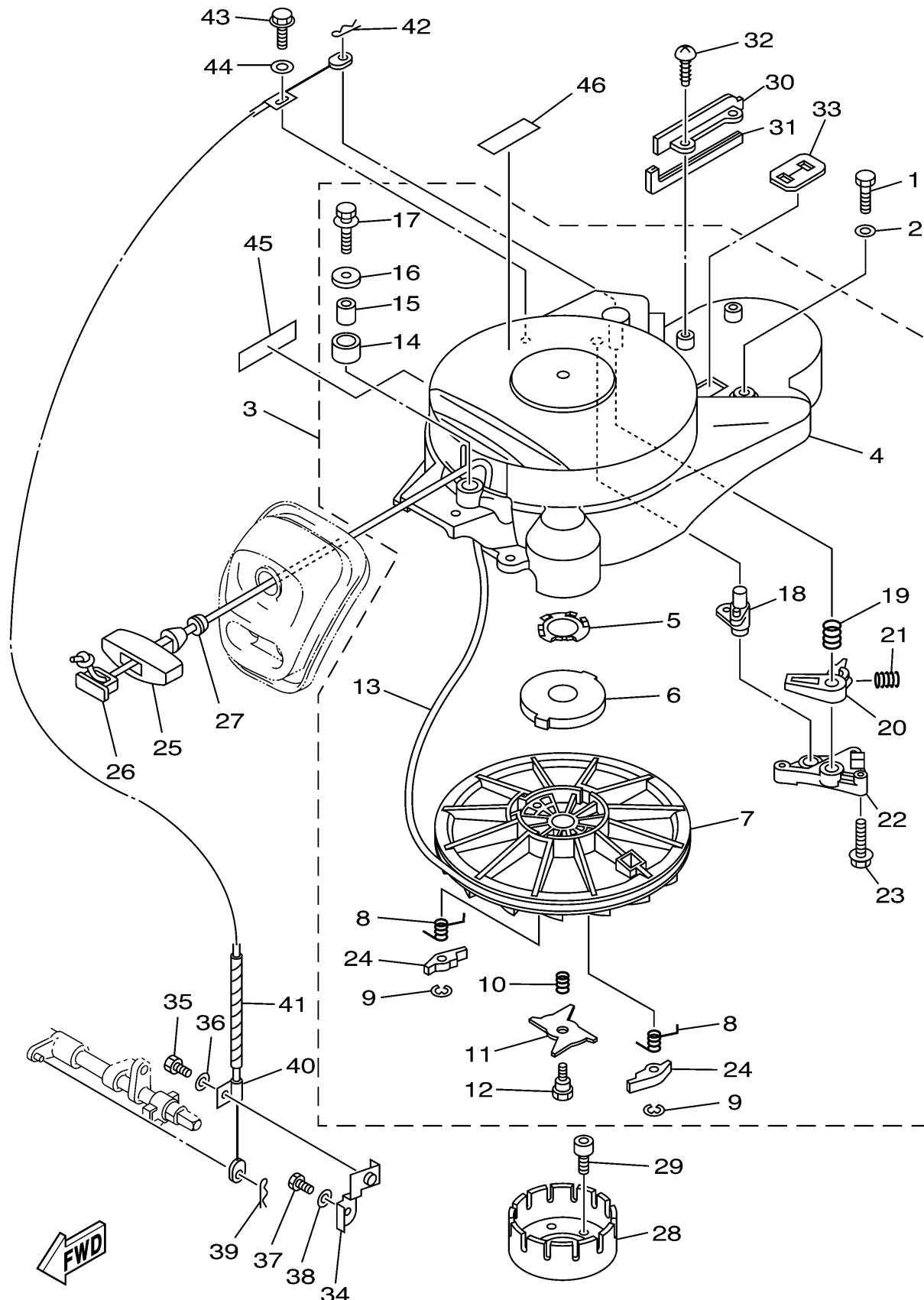


STARTER

Ref No.	Part Number	Description	Qty	Remarks
1	97095-06025-00	.BOLT	4	MH(M/T)
2	92995-06600-00	WASHER	4	MH(M/T)
3	65W-W1571-01-00	STARTER ASSY	1	MH(M/T)
4	65W-15711-01-00	..CASE, STARTER	1	(M/T)
5	65W-15732-00-00	..WASHER, WAVE 1	1	(M/T)
6	65W-15713-00-00	..SPRING, STARTER	1	(M/T)
7	65W-15714-01-00	..DRUM, SHEAVE	1	(M/T)
8	65W-15734-00-00	..SPRING, RETURN	2	(M/T)
9	65W-15744-00-00	..CIRCLIP	2	(M/T)
10	65W-15715-00-00	..SPRING, FRICTION	1	(M/T)
11	65W-15716-00-00	..PLATE, DRIVE	1	(M/T)
12	65W-15793-00-00	..SCREW	1	(M/T)
13	90580-50M01-00	..ROPE, STARTER	1	(M/T)
14	65W-15752-00-00	..ROLLER, WIRE	1	(M/T)
15	65W-15753-00-00	..BUSH	1	(M/T)
16	65W-15791-00-00	..WASHER, LOCK	1	(M/T)
17	65W-15481-00-00	..BOLT 1	1	(M/T)
18	65W-15735-01-00	..GUIDE, CAM	1	(M/T)
19	65W-15767-01-00	..SPRING	1	(M/T)
20	65W-15794-00-00	..STOPPER	1	(M/T)

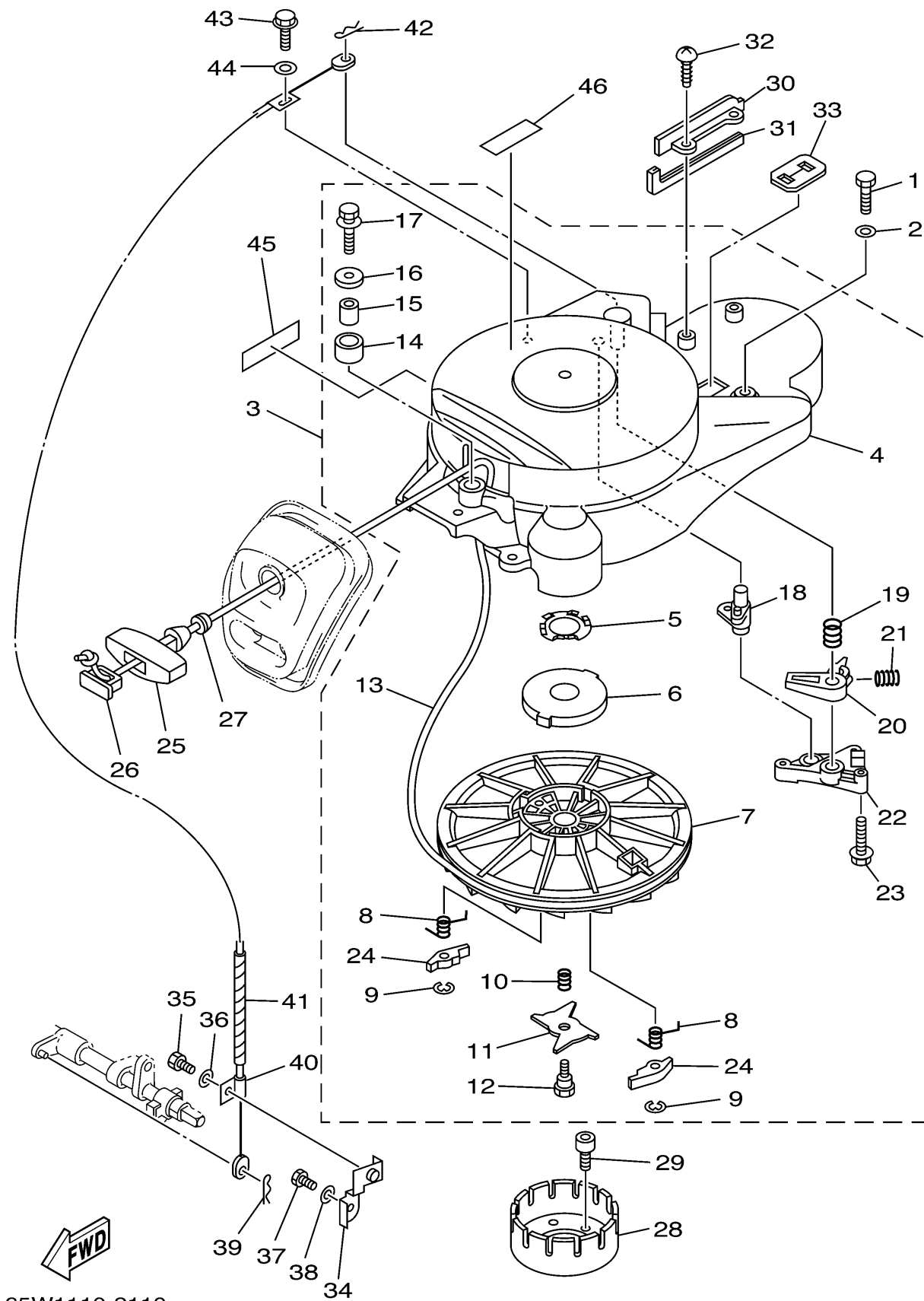
CONTINUED ON NEXT FRAME >



STARTER

Ref No.	Part Number	Description	Qty	Remarks
21	65W-15784-00-00	. .SPRING, RETURN	1	(M/T)
22	65W-15414-00-00	. .COVER 1	1	(M/T)
23	65W-15768-00-00	. .BOLT	3	(M/T)
24	65W-15741-10-00	. .PAWL, DRIVE	2	(M/T)
25	689-15755-01-00	.HANDLE, STARTER	1	MH(M/T)
26	6F5-15779-02-00	.COVER	1	MH(M/T)
27	6A0-15789-00-00	.DAMPER	1	MH(M/T)
28	65W-15723-10-00	PULLEY, STARTER	1	MH(M/T)
29	90110-08M03-00	BOLT, HEXAGON SOCKET HEAD	3	MH(M/T)
30	65W-15645-00-00	SHIM, KICK SHAFT	1	MH(M/T)
31	65W-15761-00-00	SEAL, RUBBER 1	1	MH(M/T)
32	97780-60520-00	SCREW, TAPPING	2	MH(M/T)
33	65W-81639-10-00	PLATE, ARMATURE FITTING	1	MH(M/T)
34	65W-15774-00-00	STAY 4	1	MH(M/T)
35	97095-06012-00	.BOLT	1	MH(M/T)
36	92995-06600-00	WASHER	1	MH(M/T)
37	97095-06012-00	.BOLT	1	MH(M/T)
38	92995-06600-00	WASHER	1	MH(M/T)
39	90468-18008-00	.CLIP	1	MH(M/T)
40	65W-15770-00-00	CABLE COMP., STARTER STOP	1	MH(M/T)

CONTINUED ON NEXT FRAME >



STARTER

Ref No.	Part Number	Description	Qty	Remarks
41	90446-06M90-00	HOSE (L120)	1	MH(M/T)
42	90468-10005-00	CLIP	1	MH(M/T)
43	65W-15482-00-00	BOLT 2	1	MH(M/T)
44	65W-15726-00-00	WASHER, FLAT	1	MH(M/T)
45	65W-13437-40-00	MARK, CAUTION	1	MH(M/T)
46	6A1-83625-41-00	MARK 5	1	MH(M/T)

65W1110-2110

f25msha_mlha_eshal_ela_esra_elra_tira

B10