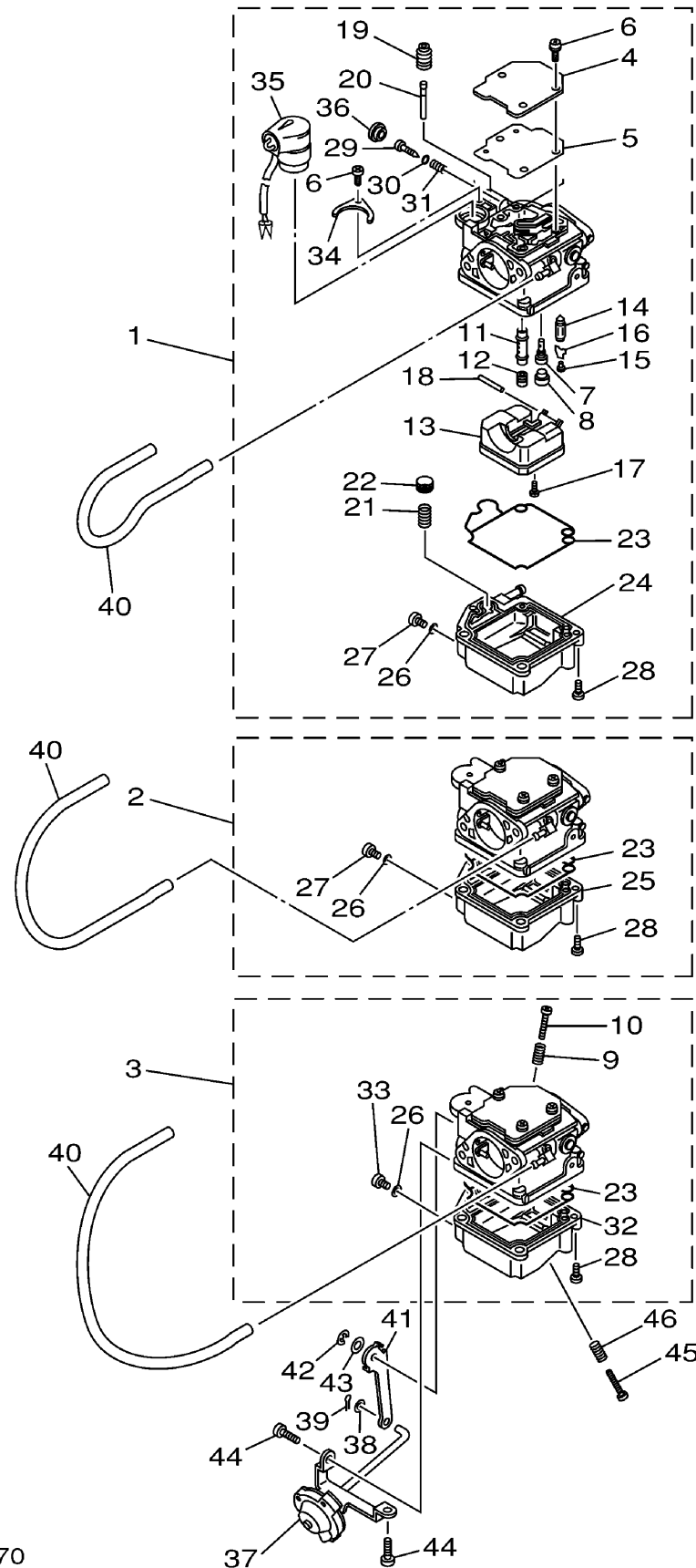


CARBURETOR

| Ref No. | Part Number | Description | Qty | Remarks |
|---------|-----------------|-----------------------|-----|-------------|
| 1 | 67C-14901-12-00 | CARBURETOR ASSY 1 | 1 | UR F40 |
| 1 | 69H-14901-12-00 | CARBURETOR ASSY 1 | 1 | UR F30 (TR) |
| 2 | 69H-14902-12-00 | CARBURETOR ASSY 2 | 1 | UR F30 (TR) |
| 2 | 67C-14902-12-00 | CARBURETOR ASSY 2 | 1 | UR F40 |
| 3 | 67C-14903-12-00 | CARBURETOR ASSY 3 | 1 | UR F40 |
| 3 | 69H-14903-12-00 | CARBURETOR ASSY 3 | 1 | UR F30 (TR) |
| 4 | 65W-14572-00-00 | ..PLATE | 3 | |
| 5 | 65W-14126-10-00 | ..GASKET | 3 | |
| 6 | 97803-04010-00 | ..SCREW, PAN HEAD | 13 | |
| 7 | 67C-14948-00-00 | ..JET (#40) | 3 | |
| 8 | 679-14966-00-00 | ..RUBBER CAP | 3 | |
| 9 | 90501-10326-00 | ..SPRING, COMPRESSION | 1 | 3 |
| 10 | 63V-14523-00-00 | ..SCREW, STOP | 1 | 3 |
| 11 | 67C-14947-00-00 | ..JET, NEEDLE | 3 | UR F40 |
| 11 | 69H-14947-00-00 | ..JET, NEEDLE | 3 | UR F30 (TR) |
| 12 | 69H-14943-22-00 | ..JET, MAIN (#88) | 3 | UR F30 (TR) |
| 12 | 67C-14943-25-00 | ..JET, MAIN (#95) | 3 | UR F40 |
| 13 | 63V-14985-00-00 | ..FLOAT | 3 | |
| 14 | 6G1-14546-00-00 | ..VALVE, NEEDLE | 3 | |
| 15 | 676-14186-00-00 | ..PIN, FLOAT | 3 | |

CONTINUED ON NEXT FRAME >

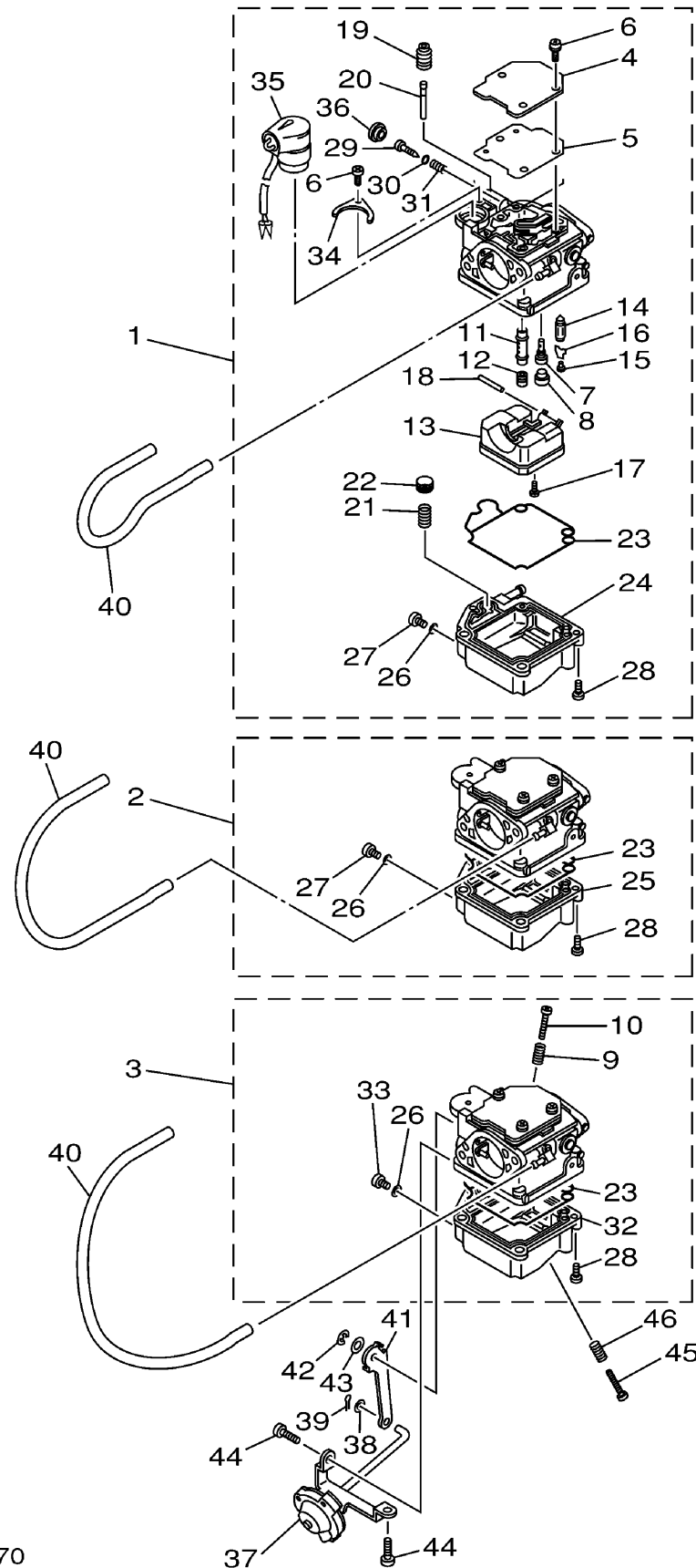


67C1100-2070
f40mh_tr_er_f30mh_tra

CARBURETOR

| Ref No. | Part Number | Description | Qty | Remarks |
|---------|-----------------|--------------------------|-----|---------------|
| 16 | 663-14159-00-00 | . .CLIP | 3 | |
| 17 | 98580-04008-00 | . .SCREW, PAN HEAD | 3 | |
| 18 | 6H4-14548-00-00 | . .PIN, FLOAT ARM | 3 | |
| 19 | 65W-14373-00-00 | . .COVER, PLUNGER CAP | 3 | |
| 20 | 67C-14379-00-00 | . .ROD, STARTER | 3 | |
| 21 | 65W-14335-00-00 | . .SPRING, PLUNGER | 3 | |
| 22 | 67C-14371-00-00 | . .PLUNGER, STARTER | 3 | |
| 23 | 65W-14384-00-00 | . .GASKET, FLOAT CHAMBER | 3 | |
| 24 | 69H-14980-00-00 | . .BODY, FLOAT CHAMBER | 1 | UR F30-1 (TR) |
| 24 | 67C-14980-00-00 | . .BODY, FLOAT CHAMBER | 1 | UR F40-1 |
| 25 | 69H-14981-00-00 | . .BODY, FLOAT CHAMBER | 1 | UR F30-2 (TR) |
| 25 | 67C-14981-00-00 | . .BODY, FLOAT CHAMBER | 1 | UR F40-2 |
| 26 | 65W-14398-00-00 | . .GASKET | 3 | |
| 27 | 65W-14992-00-00 | . .SCREW, DRAIN | 2 | 1, 2 |
| 28 | 97980-04114-00 | . .SCREW, WITH WASHER | 12 | |
| 29 | 67C-14923-00-00 | . .SCREW, PILOT | 3 | |
| 30 | 67C-14397-00-00 | . .O-RING | 3 | |
| 31 | 67C-14555-00-00 | . .SPRING | 3 | |
| 32 | 69H-14982-00-00 | . .BODY, FLOAT CHAMBER | 1 | UR F30-3 (TR) |
| 32 | 67C-14982-00-00 | . .BODY, FLOAT CHAMBER | 1 | UR F40-3 |

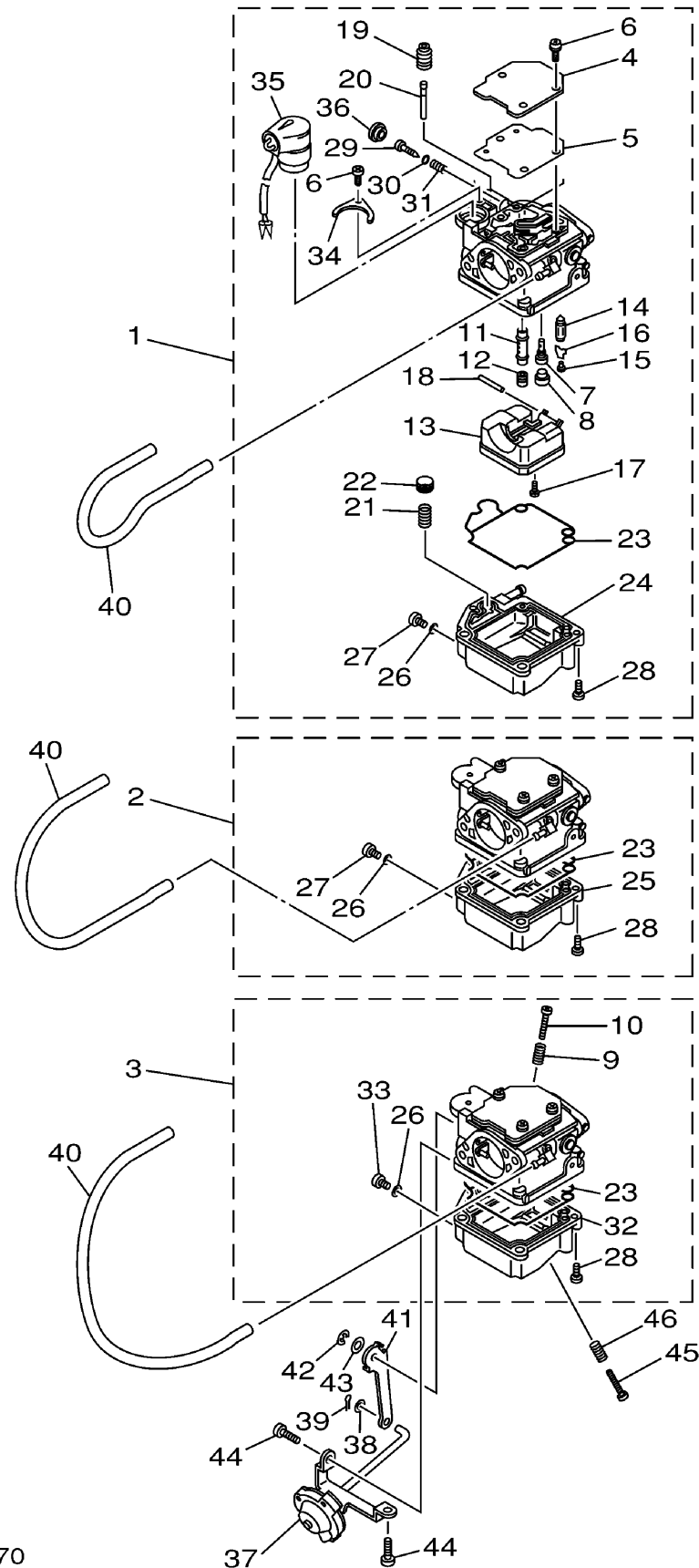
CONTINUED ON NEXT FRAME >



67C1100-2070
f40mh_tr_er_f30mh_tra

CARBURETOR

| Ref No. | Part Number | Description | Qty | Remarks |
|---------|-----------------|----------------------|-----|---------|
| 33 | 67C-14992-00-00 | . SCREW, DRAIN | 1 | 3 |
| 34 | 65W-14346-00-00 | ..PLATE | 1 | |
| 35 | 67C-14380-00-00 | . PRIME STARTER ASSY | 1 | |
| 36 | 67C-1432A-00-00 | ..PLUG | 1 | |
| 37 | 67C-14369-00-00 | DIAPHRAGM ASSY 2 | 1 | |
| 38 | 92990-04600-00 | WASHER, PLATE | 1 | |
| 39 | 91490-06012-00 | PIN. COTTER | 1 | |
| 40 | 67C-13974-00-00 | PIPE, FUEL 4 | 3 | |
| 41 | 67C-14974-00-00 | LEVER, CONNECT | 1 | |
| 42 | 67C-14356-00-00 | CLIP | 1 | |
| 43 | 67C-14398-00-00 | WASHER | 1 | |
| 44 | 67C-14325-00-00 | SCREW, PAN HEAD | 2 | |
| 45 | 67C-14245-00-00 | SCREW, STOP | 1 | |
| 46 | 67C-14242-00-00 | SPRING | 1 | |



67C1100-2070
 f40mh_tr_er_f30mh_tra