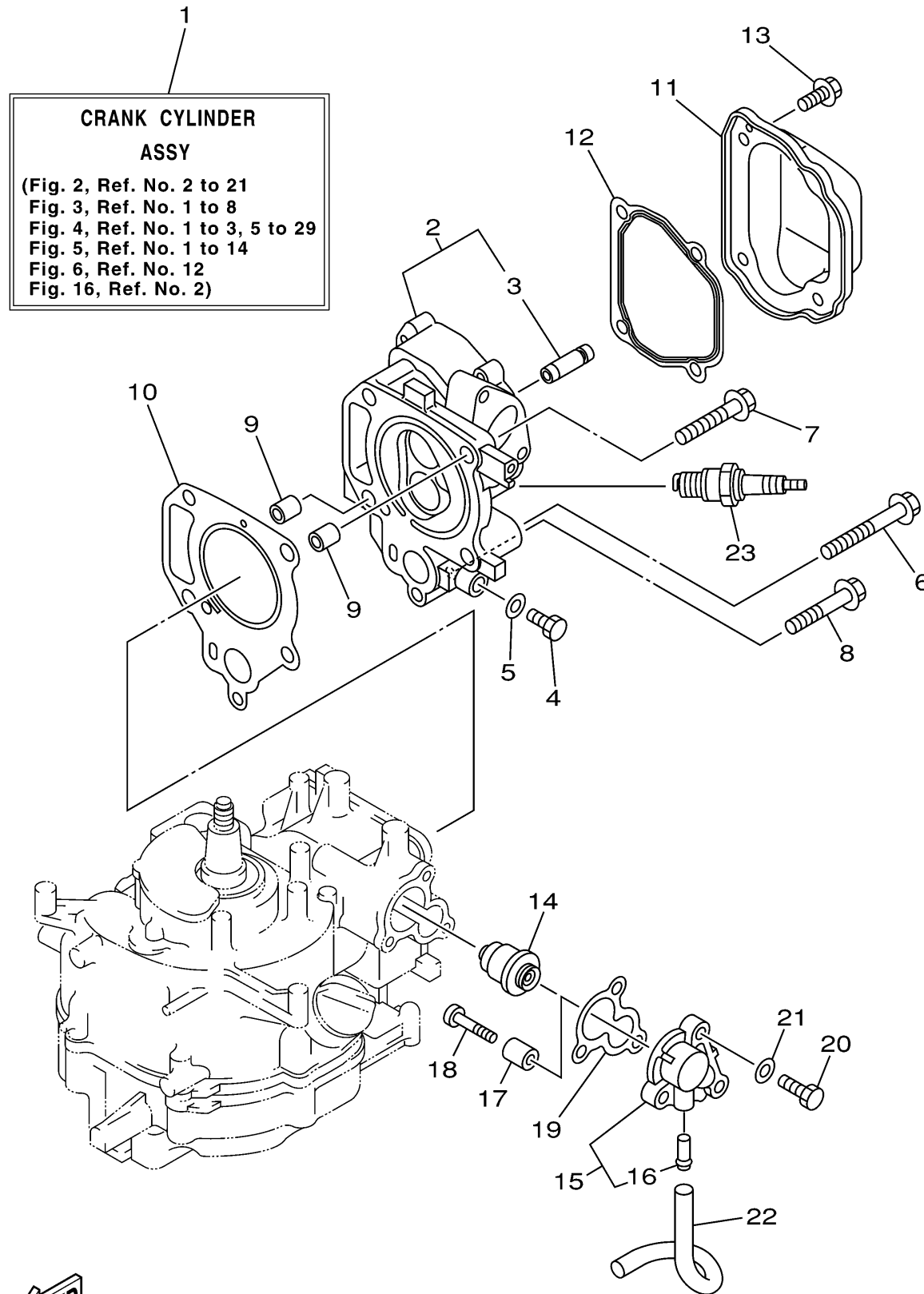


CYLINDER CRANKCASE 1

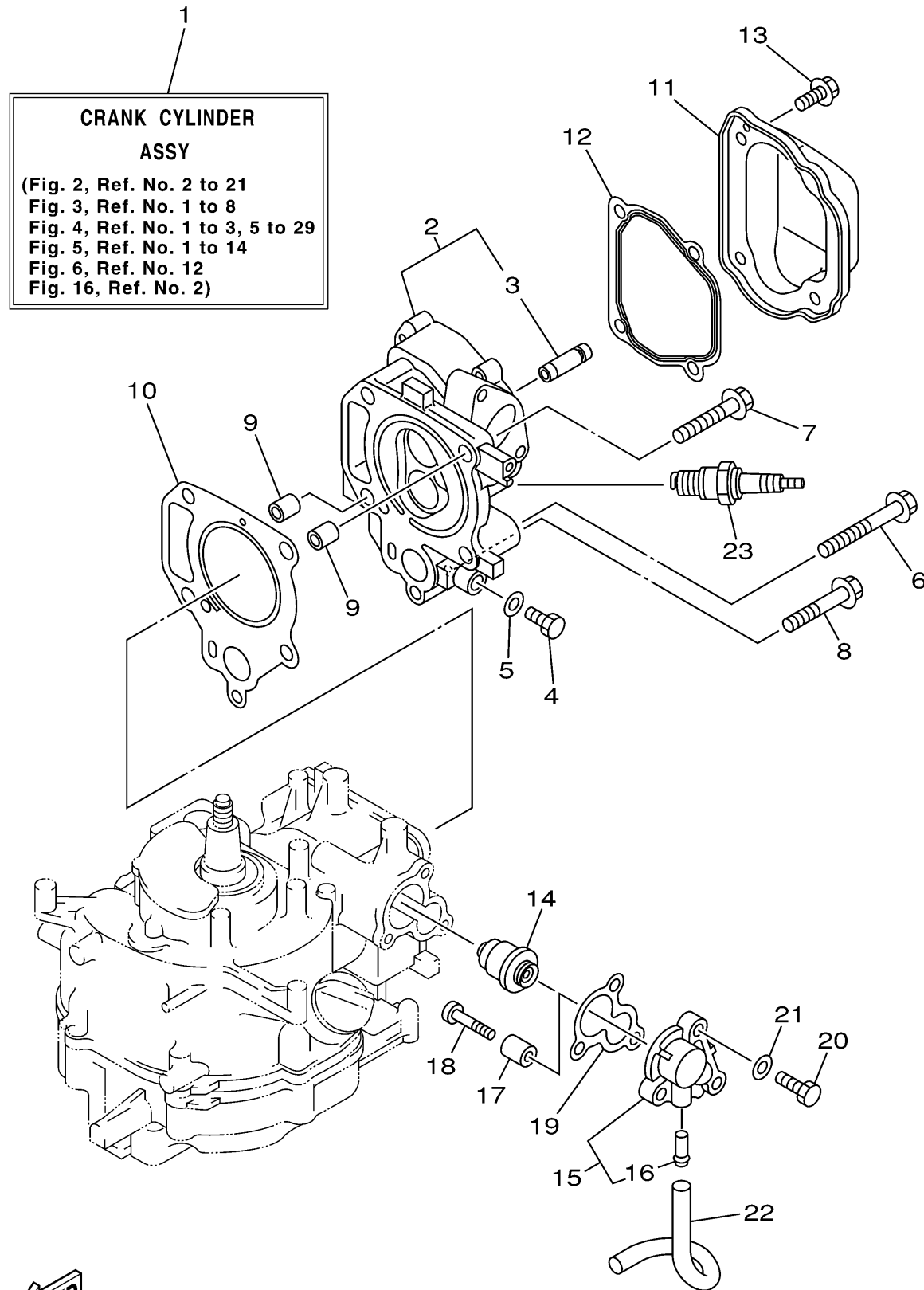
Ref No.	Part Number	Description	Qty	Remarks
1	68D-WE090-01-4D	CRANK CYLINDER ASSY	1	(F4)
2	68D-E1111-00-94	HEAD, CYLINDER 1	1	(F4)
3	67D-11133-10-00	.GUIDE, VALVE 1	2	(F4)
4	97095-08014-00	BOLT	1	(F4)
5	90430-08800-00	GASKET	1	(F4)
6	90105-08M81-00	BOLT, FLANGE	3	(F4)
7	90105-08M80-00	BOLT, FLANGE	1	(F4)
8	90105-06M25-00	BOLT, FLANGE	1	(F4)
9	99510-10114-00	PIN, DOWEL	2	(F4)
10	67D-11181-A0-00	.GASKET, CYLINDER HEAD 1	1	(F4)
11	67D-11191-00-00	COVER, CYLINDER HEAD 1	1	(F4)
12	68D-E1193-A0-00	.GASKET, HEAD COVER 1	1	(F4)
13	90105-06M14-00	BOLT FLANGE	4	(F4)
14	66M-12411-00-00	THERMOSTAT	1	(F4)
15	68D-E2413-00-9M	COVER, THERMOSTAT	1	(F4)
16	650-24378-00-00	.PIPE, JOINT 4	1	(F4)
17	68D-E1325-00-00	ANODE	1	(F4)
18	97880-05025-00	.SCREW, PAN HEAD	1	(F4)
19	68D-E2414-A0-00	.GASKET, COVER	1	(F4)
20	97095-06020-00	BOLT	3	(F4)

CONTINUED ON NEXT FRAME >



CYLINDER CRANKCASE 1

Ref No.	Part Number	Description	Qty	Remarks
21	92995-06600-00	WASHER	3	(F4)
22	90445-09807-00	HOSE (L180)	1	(F4)
23	NGK-BR6HS-00-00	PLUG, SPARK (NGK BR6HS)	1	(F4)



67D0100-8020
 f4msha_mlha